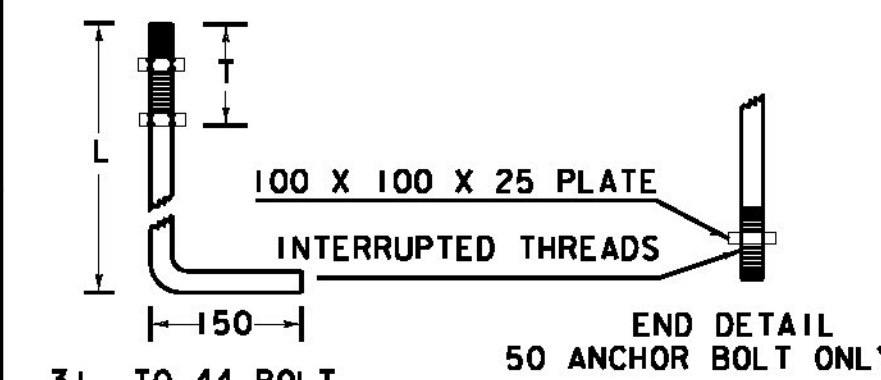
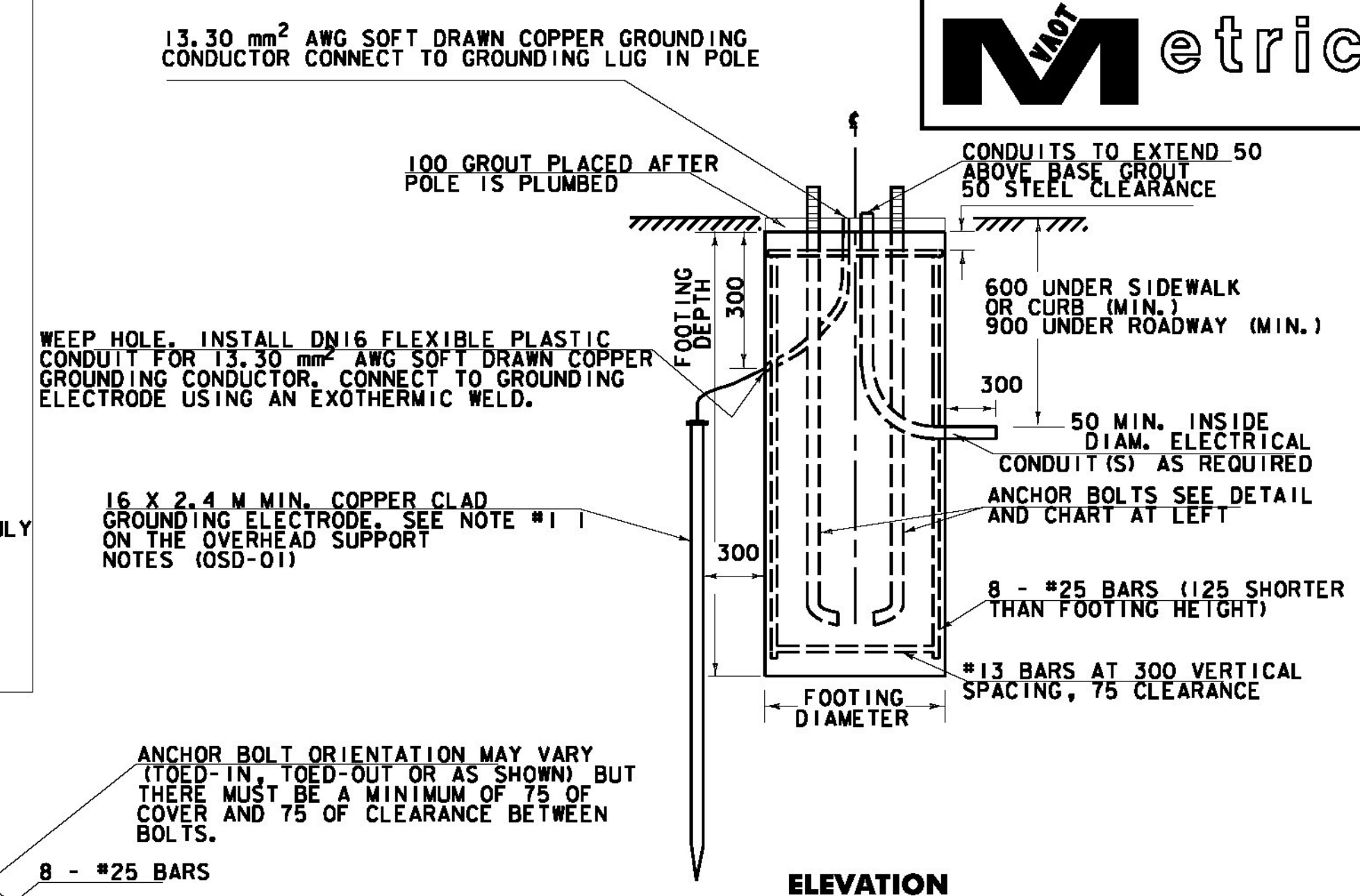


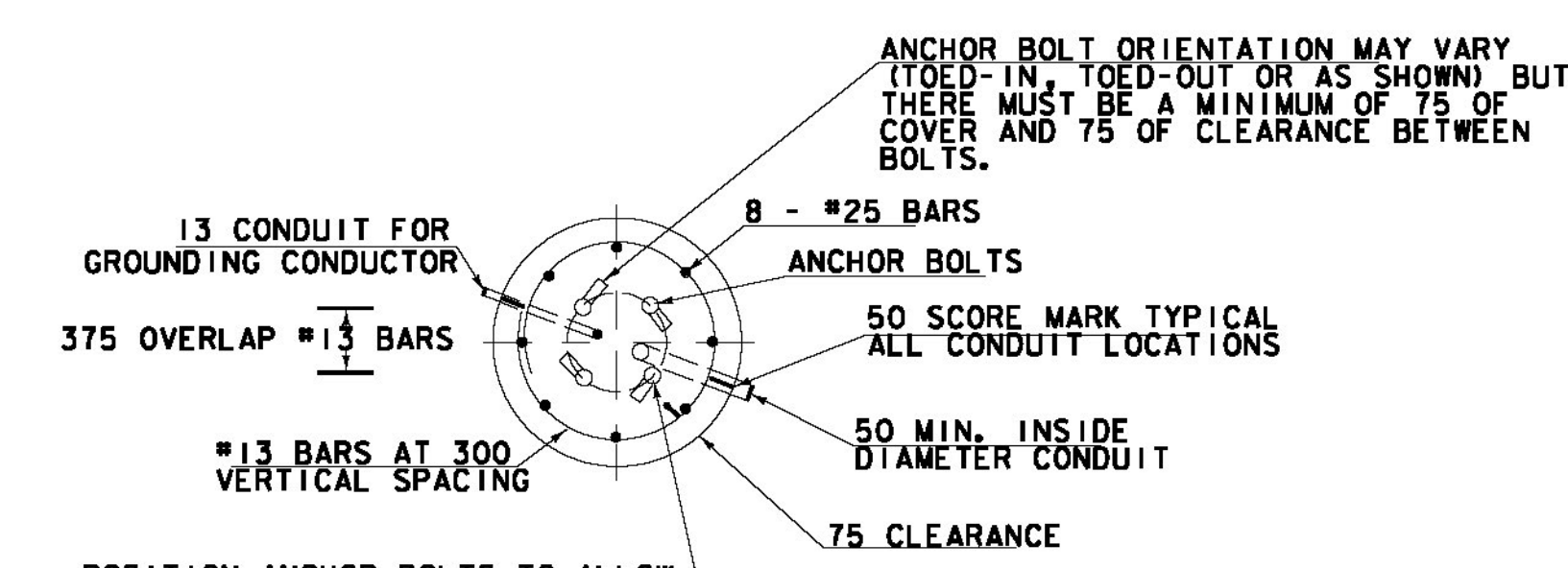
ANCHOR BOLT DETAIL		
SIZE	L	T
31 X 1220	1068	203
38 X 1525	1373	229
44 X 2268	2135	229
51 X 2440	2440	229



**ANCHOR BOLT DETAIL**



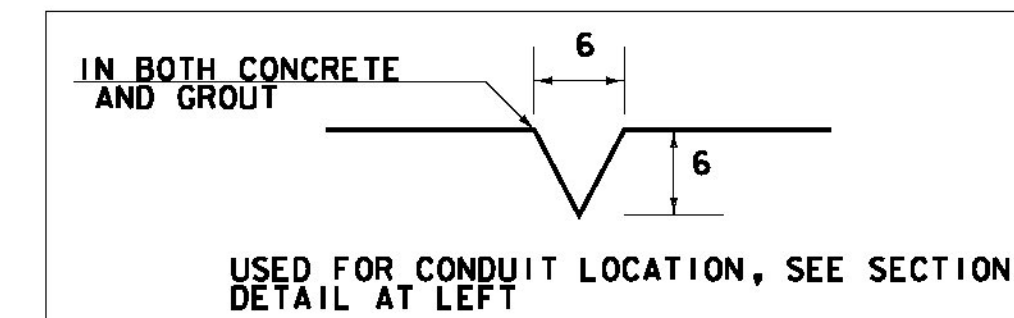
**ELEVATION**



**SECTION**

**OVERHEAD TRAFFIC SIGN BRIDGE FOOTING DETAIL**

(SPREAD FOOTINGS OR PILES ARE OPTIONAL)

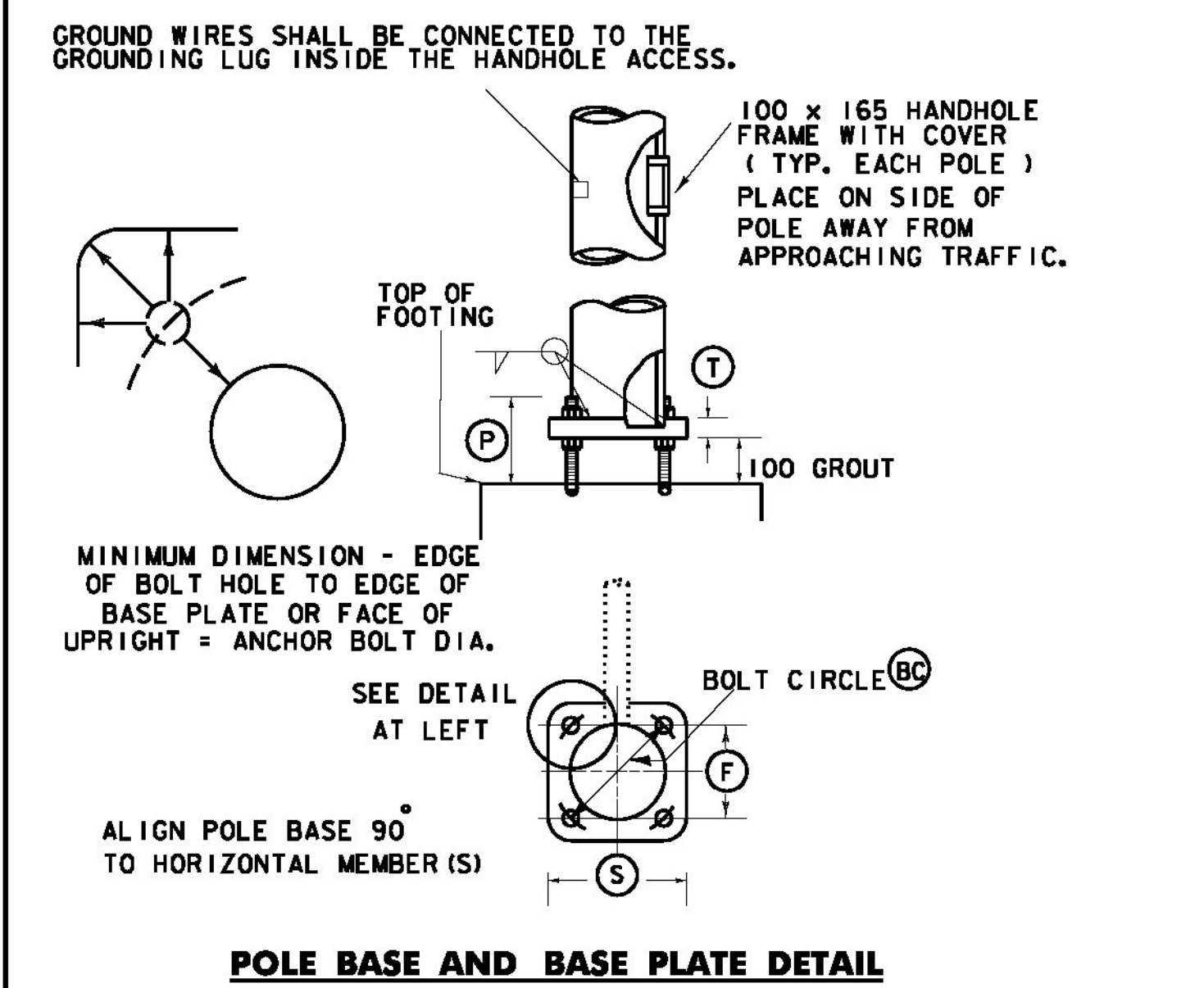


**50 SCORE MARK DETAIL**

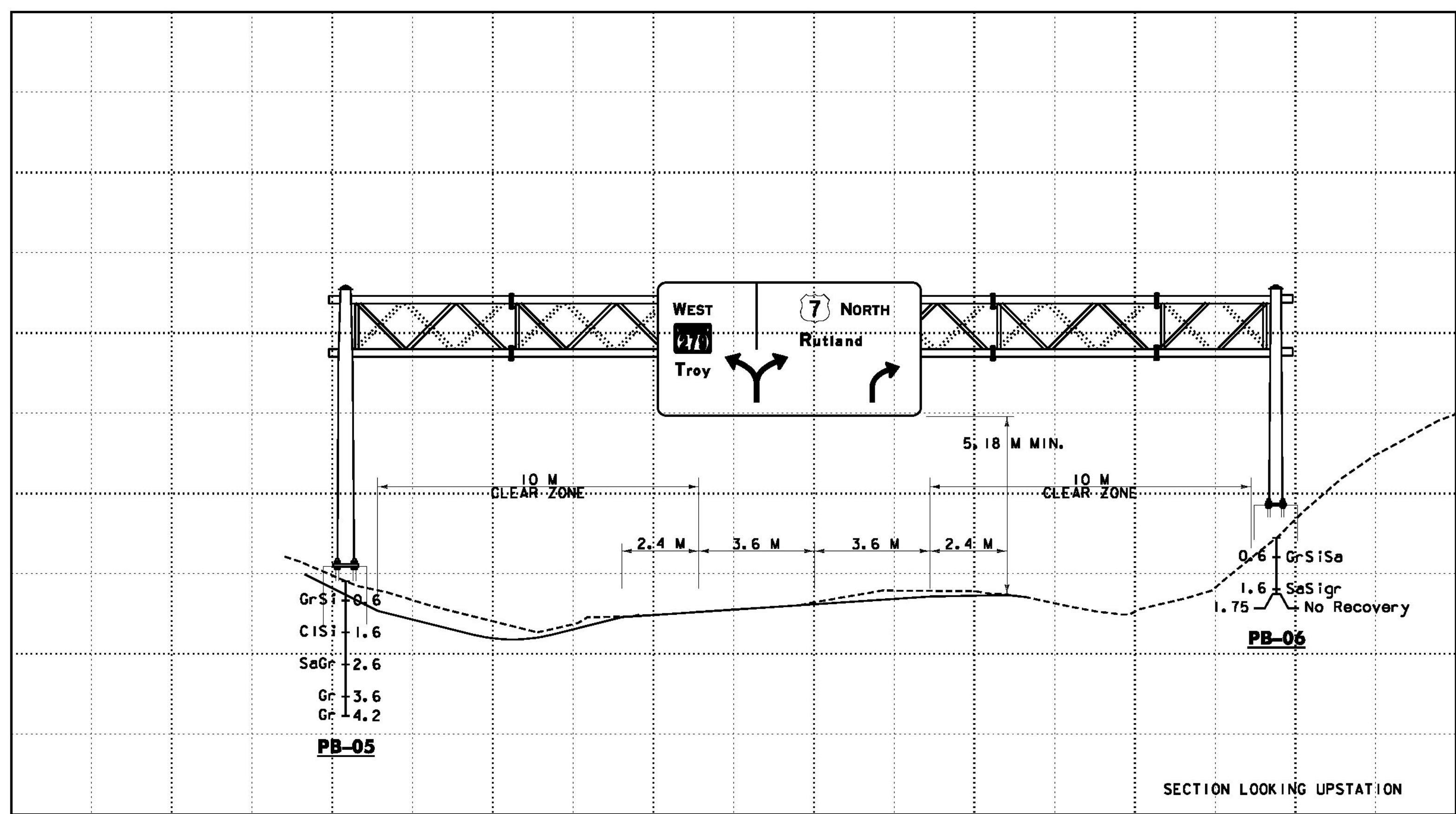
**NOTES:**

- SEE SHEET OVERHEAD SUPPORT NOTES OSD-01 FOR ADDITIONAL INFORMATION
- MANUFACTURER TO DETERMINE TYPE OF STRUCTURE REQUIRED.
- MONOTUBES SHALL NOT BE USED FOR SIGNS OVER 3.05 M IN HEIGHT.
- MINIMUM CLEARANCE FROM SIGNS TO ROADWAY IS 5.18 M.
- ALL DIMENSIONS IN MILLIMETERS (MM) EXCEPT WHERE NOTED.
- SIGN SHALL BE MOUNTED SUCH THAT THE ARROWS ARE PLACED ABOVE THE CENTER OF THE LANES. SEE TSD-01 FOR SIGN DIMENSIONS.
- MAXIMUM EXPOSURE OF FOOTING ABOVE FINISH EXISTING GROUND SHALL BE 100mm

BASE PLATE / BOLT DATA					ANCHOR BOLT SIZE
BC	F	S	T	P	



**POLE BASE AND BASE PLATE DETAIL**



**OVERHEAD SIGN BRIDGE CROSS SECTION @ WB 10+467.0 = NB 10+467.042**  
(SEE SHEET SP-03 FOR LOCATION PLAN)  
NOT TO SCALE



PROJECT NAME: BENNINGTON  
PROJECT NUMBER: NH 019-1(54)  
FILE NAME: ...\\plot\_files\zd307c4det.osd.ptf PLOT DATE: 1/26/2010  
DESIGN SUPERVISOR: GREG EDWARDS DRAWN BY: STANTEC  
DESIGNED BY: MARC FOISY CHECKED BY: GARY SANTY  
OVERHEAD SUPPORT DETAILS OSD-05 SHEET 216 OF 468

1/26/2010 4:52:06 PM V:\953\active\19510092\transportation\grawm\p\scott\tracet\_4\blot\_files\zd307c4det.osd.ptf