

DELINEATOR WITH STEEL POST

ROADWAY	LENGTH (m)	SPACING (m)	COLOR	TYPE
VT 279 EB				
EB 10+780.0, RT - EB 10+889.0, RT	109	27.4	YELLOW	I
EB 10+780.0, LT - EB 10+962.9, LT	216	27.4	WHITE	I
VT 279 WB				
WB 10+890.0, RT - WB 10+949.4, RT	59	80.5	WHITE	I
WB 10+890.0, LT - WB 10+949.4, LT	59	30.5	YELLOW	II
RAMP G				
EB 10+962.9, RT - G 1+074.7, LT	75	30.5	YELLOW	I
G 1+074.7, RT - G 1+180.0, RT	105	30.5	WHITE	I

FOR FURTHER INFORMATION, SEE VTRANS STANDARD E-197

DURABLE 150 WHITE LINE, RECESSED POLYUREA
 STA. WB 10+890.0 TO STA. WB 10+982.4, SOLID &
 STA. WB 10+890.0 TO STA. WB 10+949.4, DOTTED LT.
 STA. EB 10+780.0 TO STA. EB 10+995.9, SOLID LT.
 STA. G 1+074.7 TO STA. G 1+180.0, SOLID &

DURABLE 150 YELLOW LINE, RECESSED POLYUREA
 STA. WB 10+890.0 TO STA. WB 10+982.4, SOLID LT.
 STA. EB 10+780.0 TO STA. EB 10+889.0, SOLID &
 STA. EB 10+962.9 TO STA. EB 10+995.9, SOLID RT.
 STA. G 1+000.0 TO STA. G 1+180.0, SOLID LT.

REMOVING SIGNS
 AS SHOWN - 12

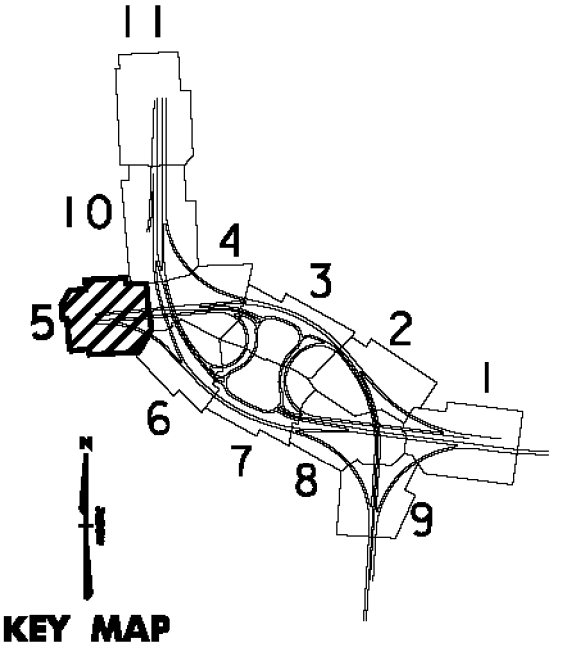
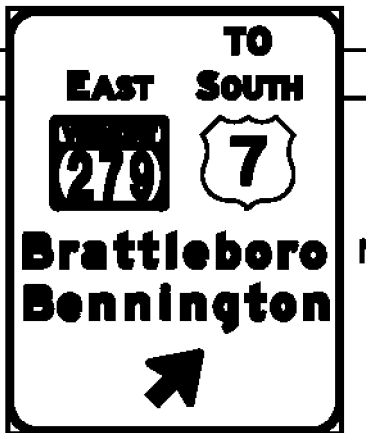
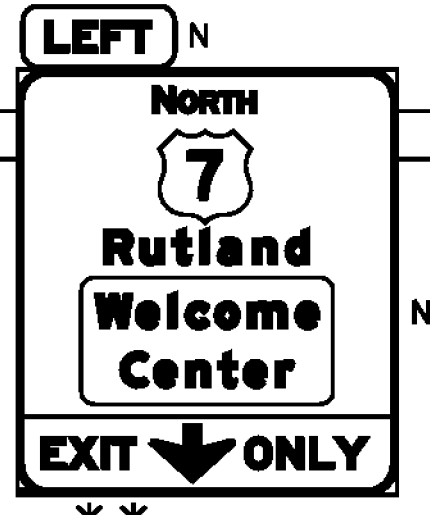
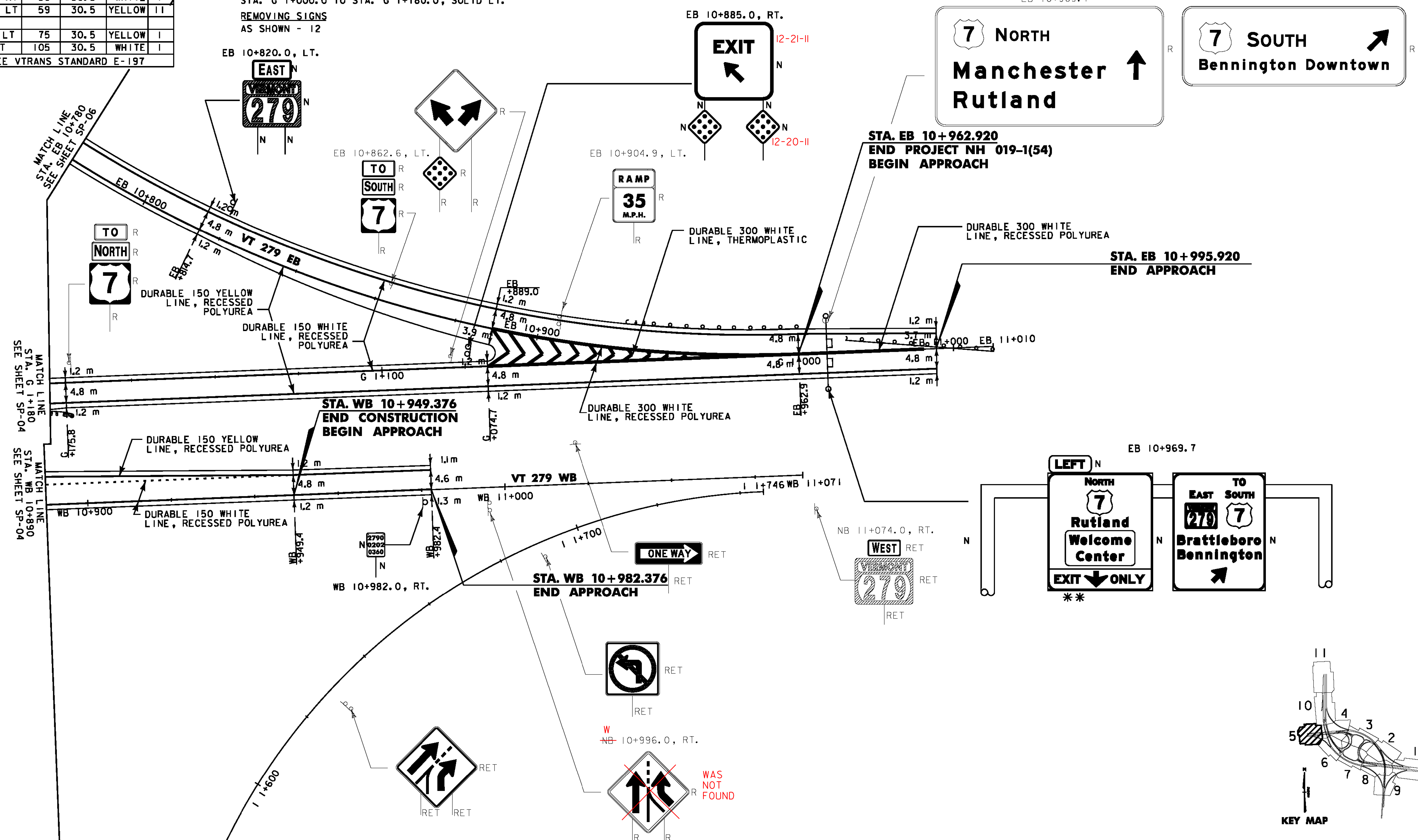
DURABLE 300 WHITE LINE, RECESSED POLYUREA
 STA. EB 10+889.0 TO STA. EB 10+992.9, & RT. (GORE)

DURABLE 300 WHITE LINE, THERMOPLASTIC
 STA. EB 10+889.0 TO STA. EB 10+962.9, RT. (CHEVRONS)

OVERHEAD SIGN ASSEMBLY - MULTI-SUPPORT
 STA. EB 10+969.7

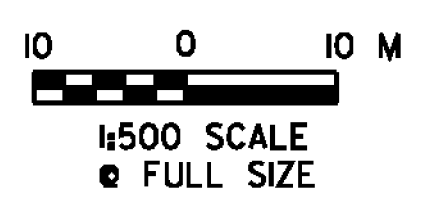
SPECIAL PROVISION (REMOVE EXISTING OVERHEAD SIGN ASSEMBLY - MULTI-SUPPORT)
 STA. EB 10+969.7

MILLED RUMBLE STRIPS
 STA. WB 10+890.0, RT. - STA. WB 10+982.4, RT.
 STA. WB 10+890.0, LT. - STA. WB 10+982.4, LT.
 STA. EB 10+780.0, RT. - STA. EB 10+889.0, RT.
 STA. EB 10+780.0, LT. - STA. EB 10+966.0, LT.



- SIGN LEGEND**
- N = NEW
 - R = REMOVE
 - R&S = REMOVE & SALVAGE
 - S = SALVAGE SIGN
 - RET = RETAIN
 - ⊕ = NEW SIGN & POST
 - ⊙ = RETURN TO TOWN OF BENNINGTON
 - * = SIGN NOT REQUIRED FOR INTERIM OPENING
 - ** = SIGN REQUIRES MODIFICATION TO BE USED BETWEEN INTERIM AND FULL OPENING

NOTE: ALL DIMENSIONS IN MILLIMETERS (mm) EXCEPT WHERE NOTED



PROJECT NAME: BENNINGTON	PROJECT NUMBER: NH 019-(154)
FILE NAME: ...z307c4sgnpvm_plans.pfl	PLOT DATE: 1/26/2010
DESIGN SUPERVISOR: GREG EDWARDS	DRAWN BY: STANTEC
DESIGNED BY: MARC FOISY	CHECKED BY: GARY SANTY
SIGNS AND MARKINGS SP-05	SHEET 177 OF 468

1/26/2010 4:50:34 PM v:\9551\del\va\95510002\tr\compport\del\on\dr\aw\ng\comtr\del_4\p\del_files\z307c4sgnpvm_plans.pfl