

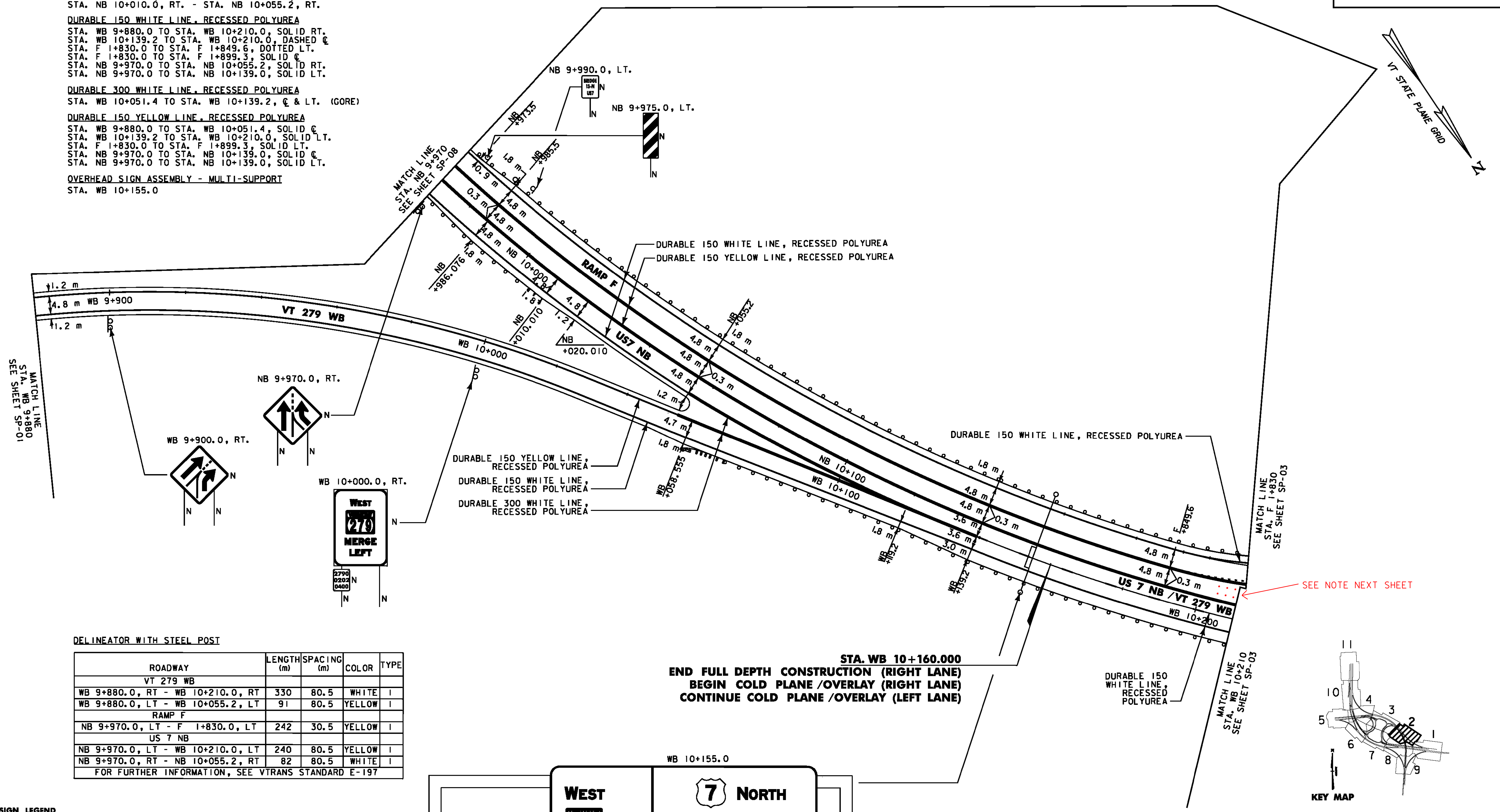
MILLED RUMBLE STRIPS
 STA. WB 9+880.0, RT. - STA. WB 10+210.0, RT.
 STA. WB 9+880.0, LT. - STA. WB 10+051.0, LT.
 STA. NB 10+010.0, RT. - STA. NB 10+055.2, RT.

DURABLE 150 WHITE LINE, RECESSED POLYUREA
 STA. WB 9+880.0 TO STA. WB 10+210.0, SOLID RT.
 STA. WB 10+139.2 TO STA. WB 10+210.0, DASHED @
 STA. F 1+830.0 TO STA. F 1+849.6, DOTTED LT.
 STA. F 1+830.0 TO STA. F 1+899.3, SOLID @
 STA. NB 9+970.0 TO STA. NB 10+055.2, SOLID RT.
 STA. NB 9+970.0 TO STA. NB 10+139.0, SOLID LT.

DURABLE 300 WHITE LINE, RECESSED POLYUREA
 STA. WB 10+051.4 TO STA. WB 10+139.2, @ & LT. (GORE)

DURABLE 150 YELLOW LINE, RECESSED POLYUREA
 STA. WB 9+880.0 TO STA. WB 10+051.4, SOLID @
 STA. WB 10+139.2 TO STA. WB 10+210.0, SOLID LT.
 STA. F 1+830.0 TO STA. F 1+899.3, SOLID LT.
 STA. NB 9+970.0 TO STA. NB 10+139.0, SOLID @
 STA. NB 9+970.0 TO STA. NB 10+139.0, SOLID LT.

OVERHEAD SIGN ASSEMBLY - MULTI-SUPPORT
 STA. WB 10+155.0

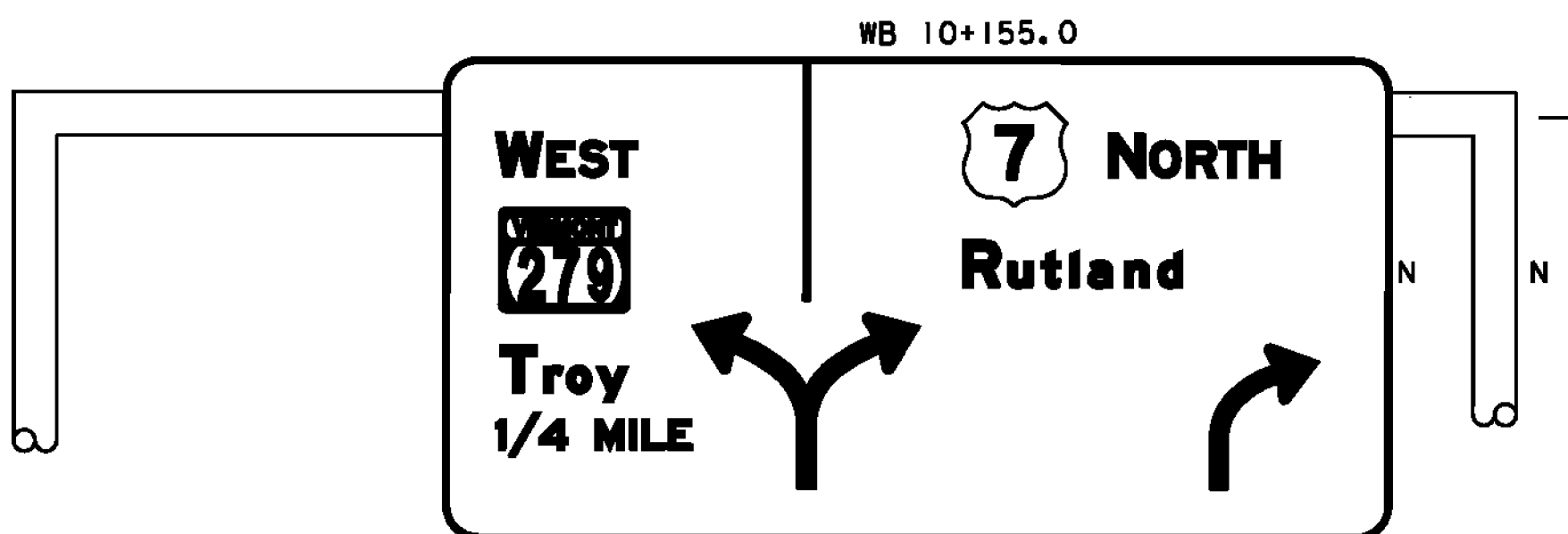


DELINEATOR WITH STEEL POST

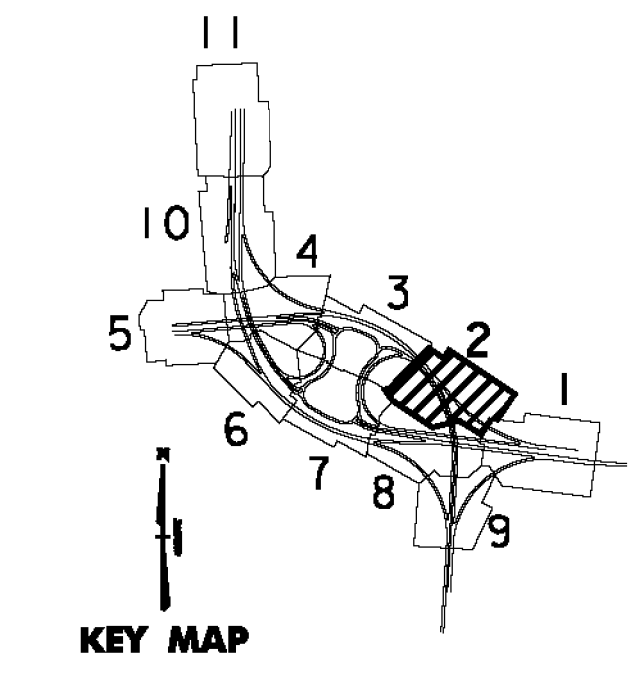
ROADWAY	LENGTH (m)	SPACING (m)	COLOR	TYPE
VT 279 WB				
WB 9+880.0, RT - WB 10+210.0, RT	330	80.5	WHITE	I
WB 9+880.0, LT - WB 10+055.2, LT	91	80.5	YELLOW	I
RAMP F				
NB 9+970.0, LT - F 1+830.0, LT	242	30.5	YELLOW	I
US 7 NB				
NB 9+970.0, LT - WB 10+210.0, LT	240	80.5	YELLOW	I
NB 9+970.0, RT - NB 10+055.2, RT	82	80.5	WHITE	I

FOR FURTHER INFORMATION, SEE VTRANS STANDARD E-197

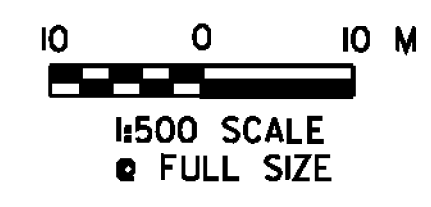
STA. WB 10+160.00
 END FULL DEPTH CONSTRUCTION (RIGHT LANE)
 BEGIN COLD PLANE /OVERLAY (RIGHT LANE)
 CONTINUE COLD PLANE /OVERLAY (LEFT LANE)



- SIGN LEGEND**
- N = NEW
 - R = REMOVE
 - R&S = REMOVE & SALVAGE
 - S = SALVAGE SIGN
 - RET = RETAIN
 - ⊕ = NEW SIGN & POST
 - ⊙ = RETURN TO TOWN OF BENNINGTON
 - * = SIGN NOT REQUIRED FOR INTERIM OPENING
 - ** = SIGN REQUIRES MODIFICATION TO BE USED BETWEEN INTERIM AND FULL OPENING



NOTE: ALL DIMENSIONS IN MILLIMETERS (mm) EXCEPT WHERE NOTED



PROJECT NAME: BENNINGTON
 PROJECT NUMBER: NH 019-(K54)
 FILE NAME: ...zd307c4sgnpvm_plans.ptf
 DESIGN SUPERVISOR: GREG EDWARDS
 DESIGNED BY: MARC FOISY
 SIGNS AND MARKINGS SP-02

PLOT DATE: 1/26/2010
 DRAWN BY: STANTEC
 CHECKED BY: GARY SANTY
 SHEET 174 OF 468

1/26/2010 4:50:27 PM v:\1953\get\live\19530002\tr\anspor\ref\10n\dr\aw\ng\com\tr\cst_4\p101 - Files\z6107\design\pvm\plans\sp11