

GEOTEXTILE FOR SILT FENCE

STA. SB 11+290.0, 15.7m LT. - STA. SB 11+306.1, 19.0m LT.
 STA. SB 11+331.5, 11.8m LT. - STA. SB 11+354.5, 15.6m LT.

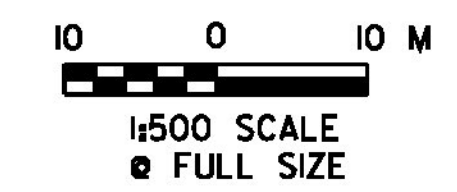
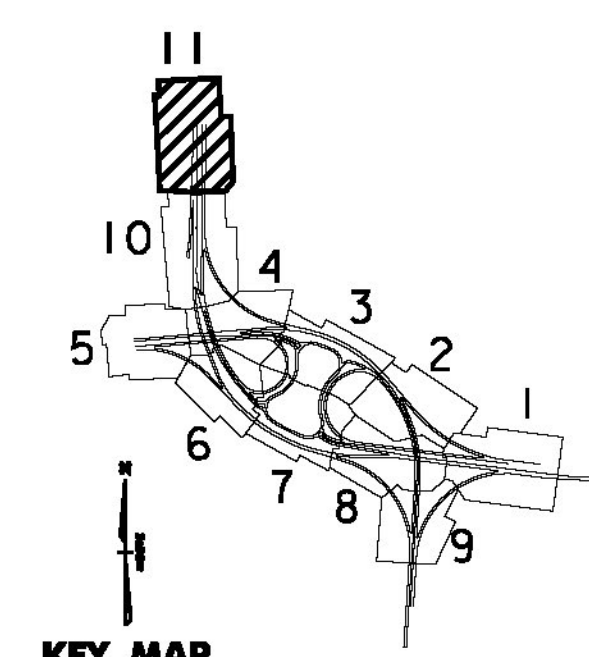
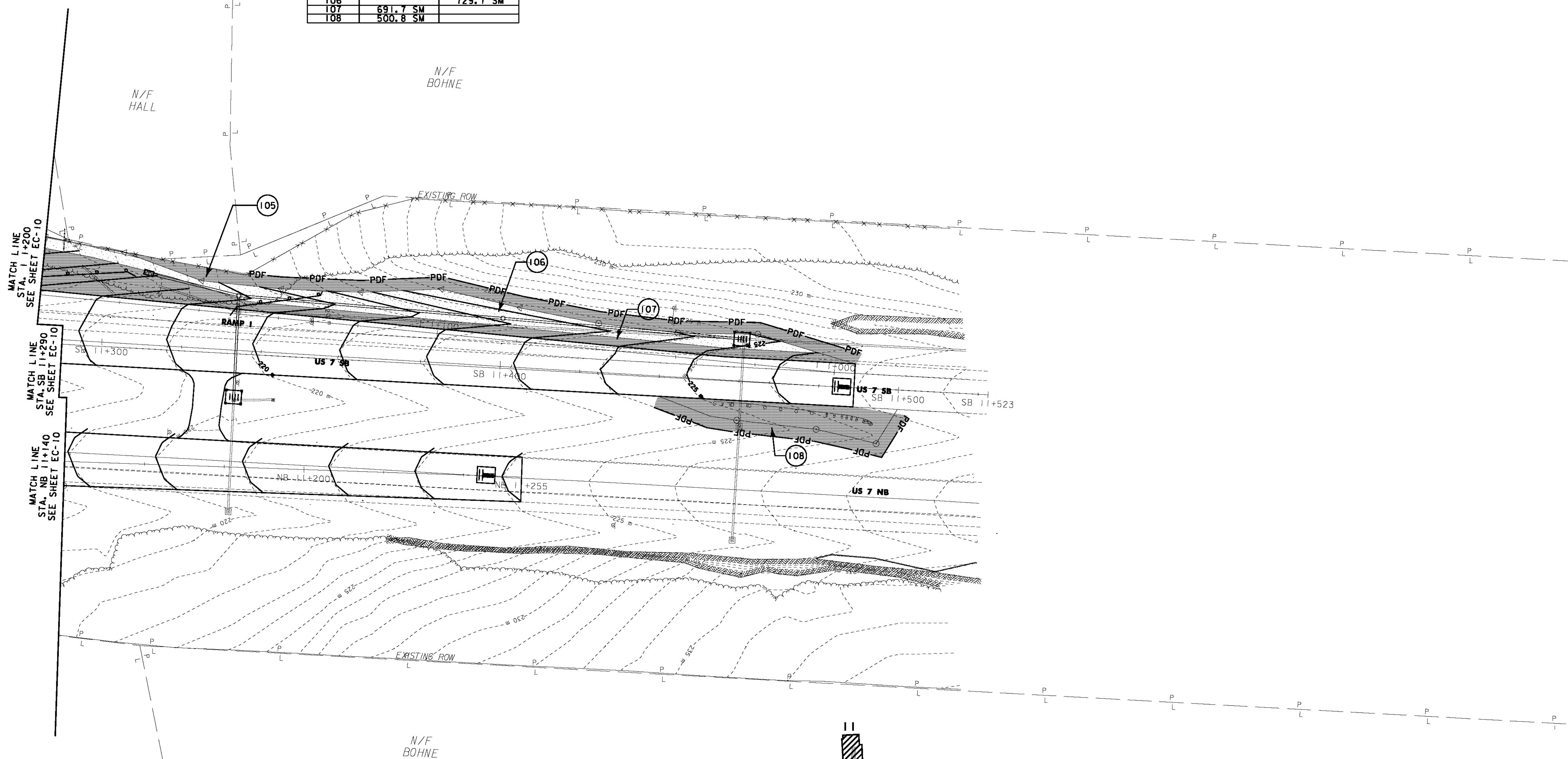
AREA NUMBER	SEEDING WINTER RYE & HAY MULCHING	EROSTON MATTING AREAS
105	439.7 SM	
106		729.7 SM
107	691.7 SM	
108	500.8 SM	

VEHICLE TRACKING PAD

STA. SB 11+482.0, RT.
 STA. NB 11+250.0, LT.

INLET PROTECTION DEVICE, TYPE I

STA.	DESCRIPTION
STA. SB 11+460.2, 9.5m LT.	(FILTER FABRIC)
STA. SB 11+333.7, 12.0m RT.	(FILTER FABRIC)



PROJECT NAME:	BENNINGTON	PLOT DATE:	1/26/2010
PROJECT NUMBER:	NH 019-1(54)	DRAWN BY:	STANTEC
FILE NAME:	...zd307c4ero.plans.ptf	CHECKED BY:	GARY SANTY
DESIGN SUPERVISOR:	GREG EDWARDS	EROSION CONTROL EC-11	SHEET 161 OF 468
DESIGNED BY:	MARC FOISY		

1/26/2010 4:56:39 PM v:\953\active\953002\transportation\erodm\comtr\ec11.dwg - Files\z6307c4ero.plans.ptf