



**GEOTEXTILE FOR SILT FENCE**  
 STA. G 2+045.0, 12.5m RT. - STA. G 2+102.3, 20.7m RT.  
 STA. NB 10+770.0, 13.1m LT. - STA. NB 10+866.4, 17.3m LT.  
 STA. SB 11+099.4, 25.4m LT. - STA. SB 11+290.0, 15.7m LT.

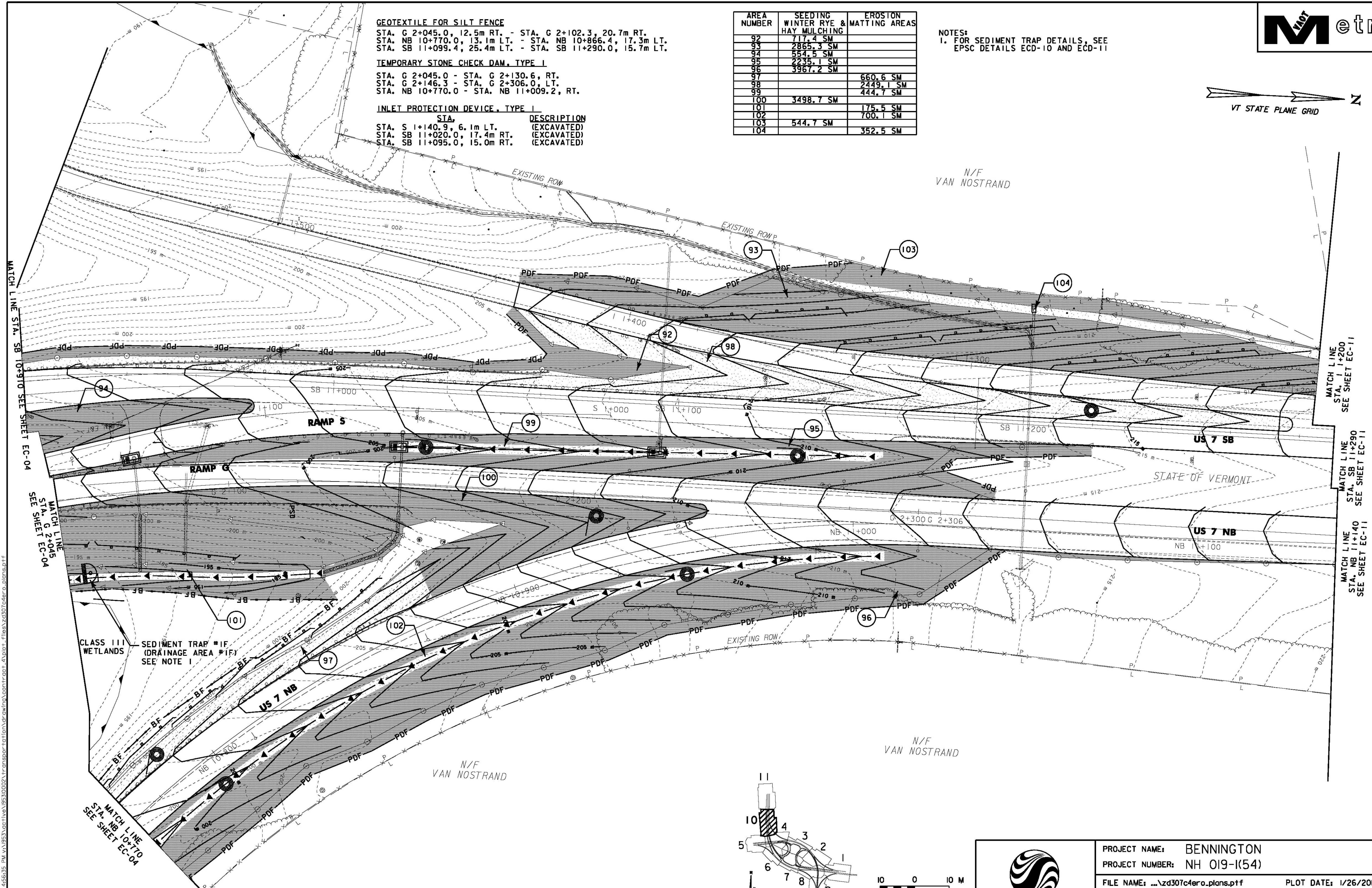
**TEMPORARY STONE CHECK DAM, TYPE I**  
 STA. G 2+045.0 - STA. G 2+130.6, RT.  
 STA. G 2+146.3 - STA. G 2+306.0, LT.  
 STA. NB 10+770.0 - STA. NB 11+009.2, RT.

**INLET PROTECTION DEVICE, TYPE I**

STA.	DESCRIPTION
STA. S 1+140.9, 6.1m LT.	(EXCAVATED)
STA. SB 11+020.0, 17.4m RT.	(EXCAVATED)
STA. SB 11+095.0, 15.0m RT.	(EXCAVATED)

AREA NUMBER	SEEDING WINTER RYE & HAY MULCHING	EROSTON MATTING AREAS
92	717.4 SM	
93	2865.3 SM	
94	554.5 SM	
95	2235.1 SM	
96	3967.2 SM	
97		660.6 SM
98		2449.1 SM
99		444.7 SM
100	3498.7 SM	
101		175.5 SM
102		700.1 SM
103	544.7 SM	
104		352.5 SM

NOTES:  
 1. FOR SEDIMENT TRAP DETAILS, SEE EPSC DETAILS ECD-10 AND ECD-11



MATCH LINE STA. SB 10+910 SEE SHEET EC-04

MATCH LINE STA. G 2+045 SEE SHEET EC-04

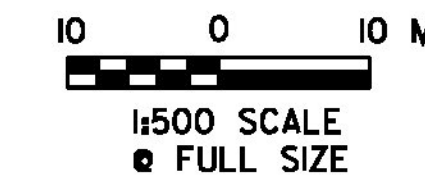
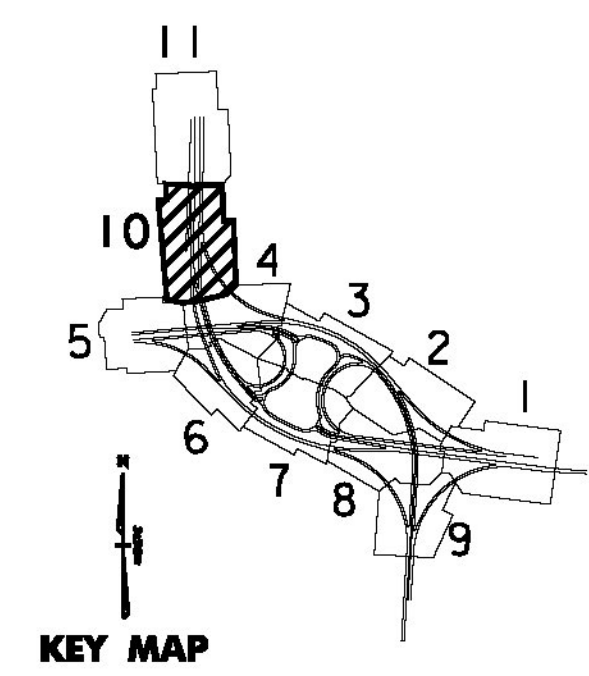
MATCH LINE STA. I +200 SEE SHEET EC-11

MATCH LINE STA. SB 11+290 SEE SHEET EC-11

MATCH LINE STA. NB 11+140 SEE SHEET EC-11

MATCH LINE STA. NB 10+770 SEE SHEET EC-04

CLASS III WETLANDS  
 SEDIMENT TRAP #1F (DRAINAGE AREA #1F) SEE NOTE 1



PROJECT NAME: BENNINGTON  
 PROJECT NUMBER: NH 019-1(54)

FILE NAME: ...zd307c4ero.plans.ptf  
 DESIGN SUPERVISOR: GREG EDWARDS  
 DESIGNED BY: MARC FOISY  
 EROSION CONTROL EC-10

PLOT DATE: 1/26/2010  
 DRAWN BY: STANTEC  
 CHECKED BY: GARY SANTY  
 SHEET 160 OF 468