

GEOTEXTILE FOR SILT FENCE

STA. L 1+080.7, 7.2m RT. - STA. L 1+273.1, 11.0m RT.
 STA. L 1+272.5, 9.0m RT. - STA. L 1+280.0, 9.4m RT.
 STA. SB 9+747.0, 26.2m LT. - STA. SB 9+836.7, 19.0m LT.
 STA. SB 9+842.9, 16.1m LT. - STA. SB 9+912.7, 17.2m LT.
 STA. SB 9+917.4, 16.5m LT. - STA. SB 9+970.0, 13.6m LT.

TEMPORARY STONE CHECK DAM, TYPE I

STA. SB 9+747.0 - STA. SB 9+970.0, LT.

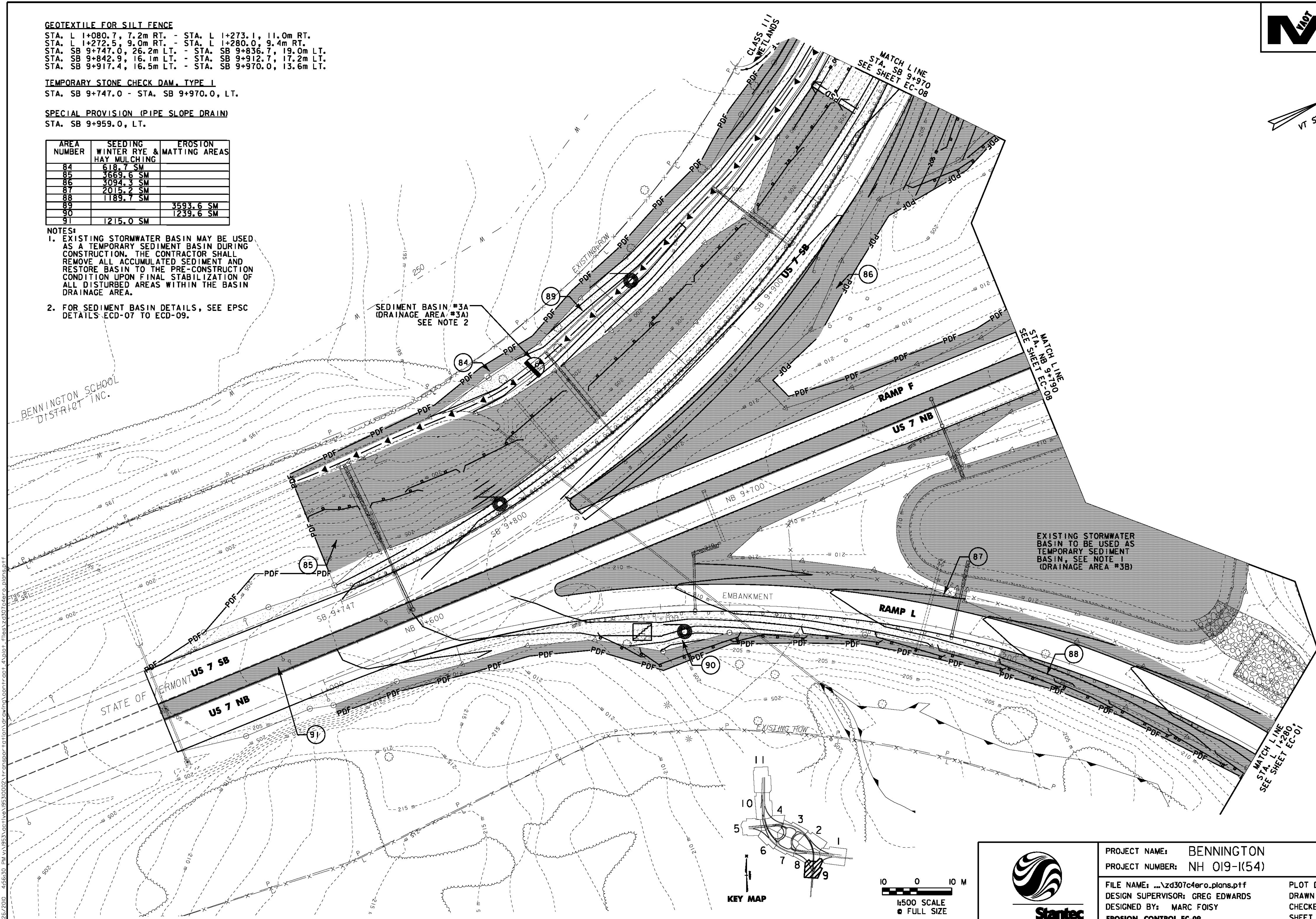
SPECIAL PROVISION (PIPE SLOPE DRAIN)

STA. SB 9+959.0, LT.

AREA NUMBER	SEEDING WINTER RYE & HAY MULCHING	EROSION MATTING AREAS
84	618.7 SM	
85	3669.6 SM	
86	3094.3 SM	
87	2015.2 SM	
88	1189.7 SM	
89		3593.6 SM
90		1239.6 SM
91	1215.0 SM	

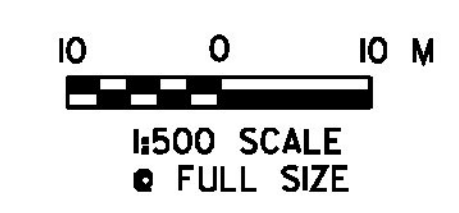
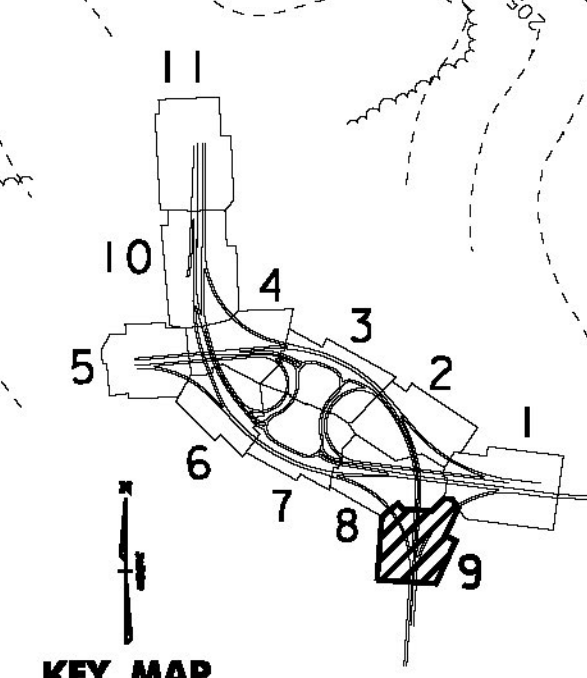
NOTES:

- EXISTING STORMWATER BASIN MAY BE USED AS A TEMPORARY SEDIMENT BASIN DURING CONSTRUCTION. THE CONTRACTOR SHALL REMOVE ALL ACCUMULATED SEDIMENT AND RESTORE BASIN TO THE PRE-CONSTRUCTION CONDITION UPON FINAL STABILIZATION OF ALL DISTURBED AREAS WITHIN THE BASIN DRAINAGE AREA.
- FOR SEDIMENT BASIN DETAILS, SEE EPSC DETAILS ECD-07 TO ECD-09.



BENNINGTON SCHOOL DISTRICT INC.

STATE OF VERMONT



PROJECT NAME:	BENNINGTON	PLOT DATE:	1/26/2010
PROJECT NUMBER:	NH 019-1(54)	DRAWN BY:	STANTEC
FILE NAME:	...zd307c4ero.plans.prf	CHECKED BY:	GARY SANTY
DESIGN SUPERVISOR:	GREG EDWARDS	EROSION CONTROL EC-09	SHEET 159 OF 468
DESIGNED BY:	MARC FOISY		