

GEOTEXTILE FOR SILT FENCE
 STA. EB 9+979.7, 15.5m LT. - STA. EB 10+108.0, 7.5m LT.
 STA. EB 9+966.6, 6.4m LT. - STA. EB 9+975.1, 7.1m LT.
 STA. F 1+239.9, 9.0m RT. - STA. F 1+460.0, 7.9m RT.
 STA. SB 9+970.0, 20.6m RT. - STA. SB 10+065.5, 7.2m RT.
 STA. SB 9+970.0, 32.9m RT. - STA. SB 10+058.8, 35.0m RT.
 STA. SB 9+970.0, 13.6m LT. - STA. SB 10+103.1, 2.7m LT.
 STA. SB 10+065.6, 16.6m RT. - STA. SB 10+122.9, 6.0m RT.

SPECIAL PROVISION (PIPE SLOPE DRAIN)
 STA. SB 10+078.0, LT.

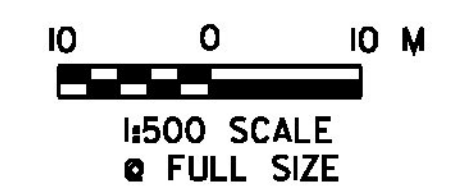
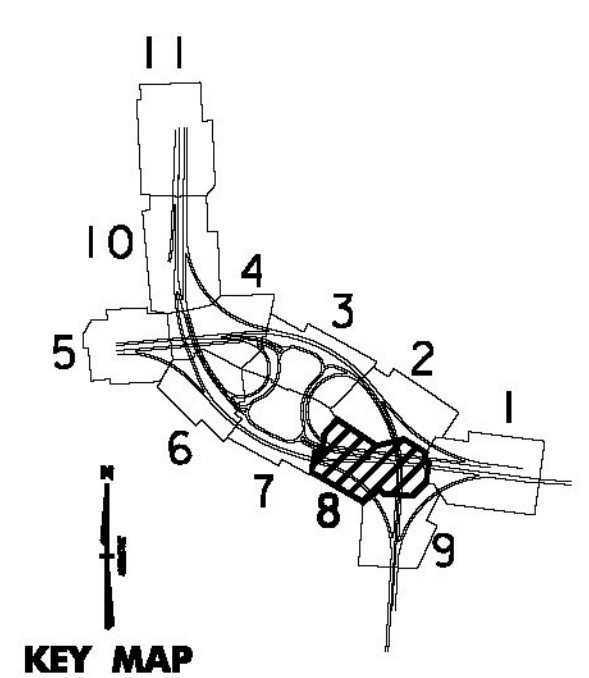
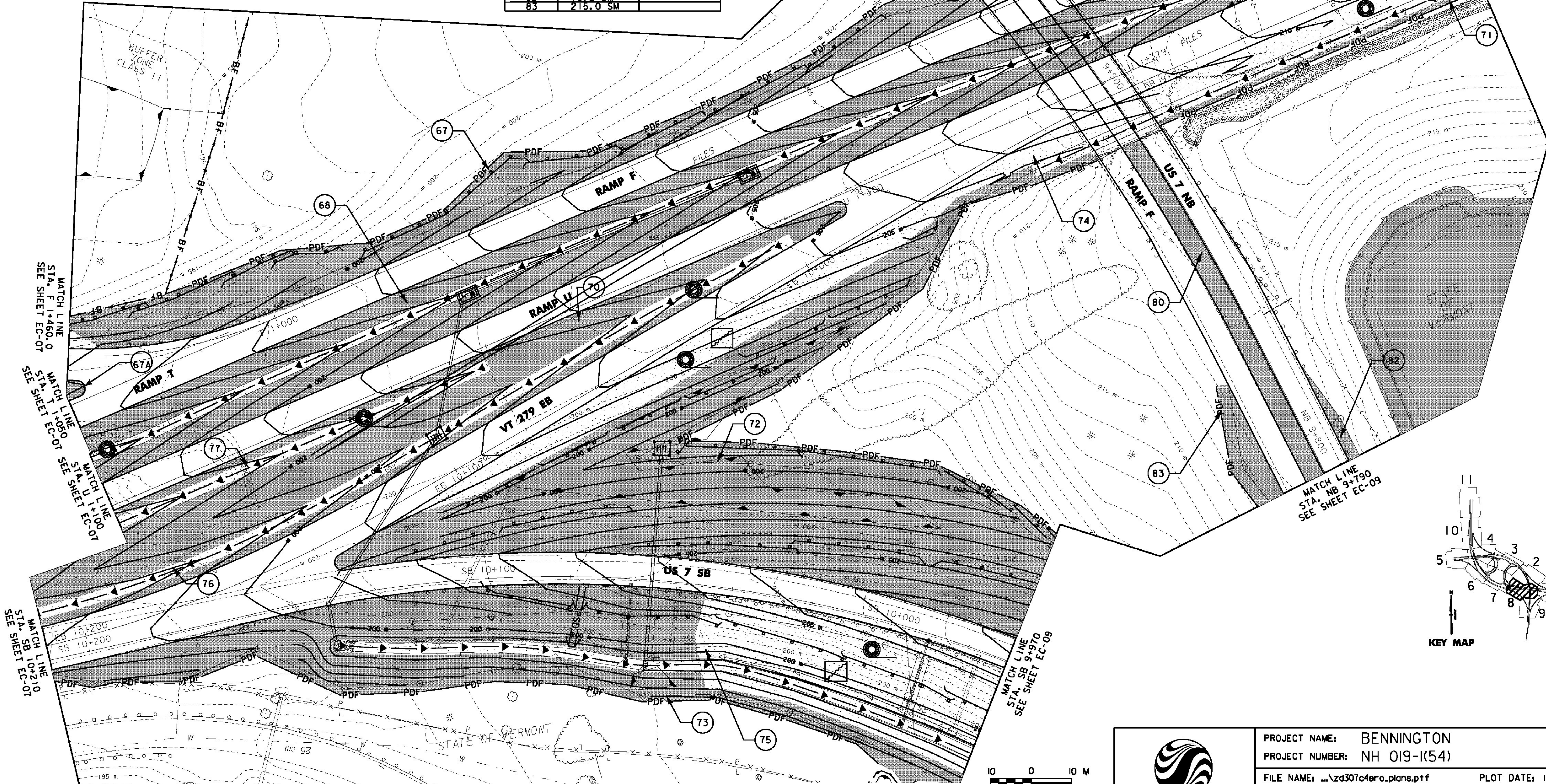
INLET PROTECTION DEVICE, TYPE I

STA.	DESCRIPTION
STA. EB 10+053.6, 21.1m LT.	(FILTER FABRIC)
STA. EB 10+100.0, 9.4m RT.	(FILTER FABRIC)
STA. U 1+200.9, 13.3m LT.	(EXCAVATED)
STA. U 1+276.0, 13.3m LT.	(EXCAVATED)

TEMPORARY STONE CHECK DAM, TYPE I

AREA NUMBER	SEEDING WINTER RYE & HAY MULCHING	EROSION MATTING AREAS
67	2188.9 SM	
67A	18.9 SM	
68	2045.4 SM	
69	2171.1 SM	
70	2152.1 SM	
71	95.0 SM	
72	5737.5 SM	
73	2991.5 SM	
74		2376.9 SM
75		2095.9 SM
76		619.3 SM
77		296.3 SM
78		1075.2 SM
79		1926.5 SM
80	422.5 SM	
81	123.2 SM	
82	70.2 SM	
83	215.0 SM	

AREA NUMBER	SEEDING WINTER RYE & HAY MULCHING	EROSION MATTING AREAS
67	2188.9 SM	
67A	18.9 SM	
68	2045.4 SM	
69	2171.1 SM	
70	2152.1 SM	
71	95.0 SM	
72	5737.5 SM	
73	2991.5 SM	
74		2376.9 SM
75		2095.9 SM
76		619.3 SM
77		296.3 SM
78		1075.2 SM
79		1926.5 SM
80	422.5 SM	
81	123.2 SM	
82	70.2 SM	
83	215.0 SM	



PROJECT NAME: BENNINGTON
 PROJECT NUMBER: NH 019-1(54)

FILE NAME: ...zd307c4ero.plans.pfl
 DESIGN SUPERVISOR: GREG EDWARDS
 DESIGNED BY: MARC FOISY
 EROSION CONTROL EC-08

PLOT DATE: 1/26/2010
 DRAWN BY: STANTEC
 CHECKED BY: GARY SANTY
 SHEET 158 OF 468

1/26/2010 4:56:25 PM V:\953\active\9531002\transportation\bennington\ec\1-26-10\ec-08\plans.pfl