

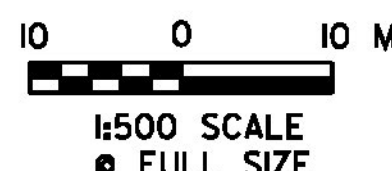
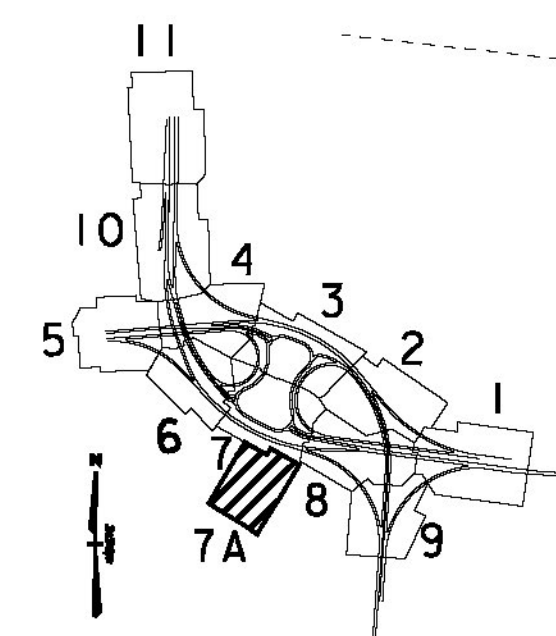
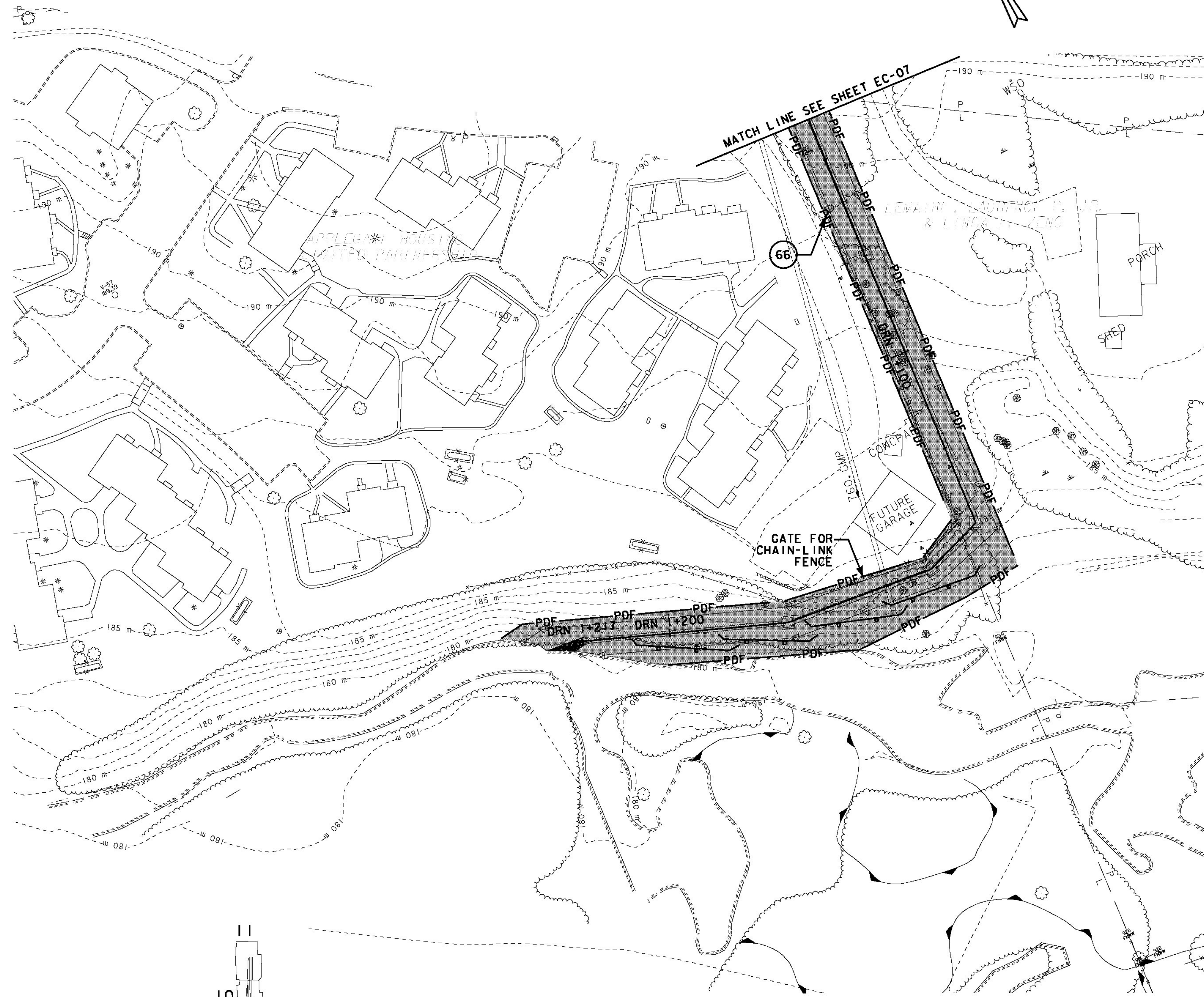
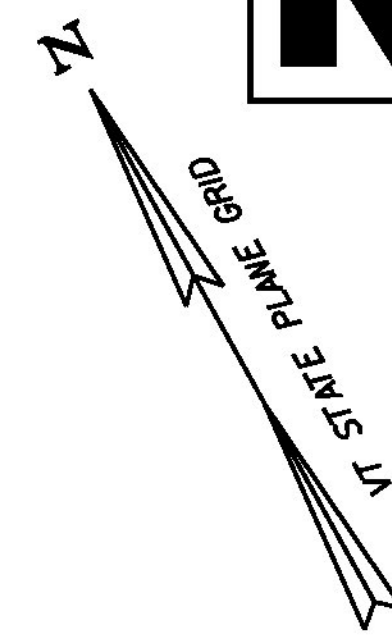
PROJECT DEMARCATION FENCE

STA. DRN 1+050.0, LT. - STA. DRN 1+217.0, LT.
 STA. DRN 1+050.0, RT. - STA. DRN 1+217.0, RT.

AREA NUMBER	SEEDING WINTER RYE & HAY MULCHING	EROSTON MATTING AREAS
66	1684.6 SM	

GEOTEXTILE FOR SILT FENCE, WOVEN WIRE REINFORCED

STA. DRN 1+160.0, LT. - STA. DRN 1+210.0 LT



PROJECT NAME:	BENNINGTON	PLOT DATE:	3/16/2010
PROJECT NUMBER:	NH 019-1(54)	DRAWN BY:	STANTEC
FILE NAME:	...z307c4ero.plans.ptf	DESIGNED BY:	GARY SANTY
DESIGN SUPERVISOR:	GREG EDWARDS	EROSION CONTROL EC-07A	
CHECKED BY:	GARY SANTY	SHEET	157 OF 468

3/16/2010 10:03 PM V:\953\active\953002\transportation\drainage\contract_4\blot_files\z307c4ero.plans.ptf