

**GEOTEXTILE FOR SILT FENCE**  
 STA. F 1+460.0, 7.9m RT. - STA. F 1+464.8, 6.7m RT.  
 STA. F 1+462.3, 9.9m RT. - STA. F 1+495.0, 7.2m RT.  
 STA. F 1+500.1, 15.4m RT. - STA. F 1+565.4, 24.6m RT.  
 STA. F 1+562.6, 13.6m RT. - STA. F 1+630.0, 22.2m RT.

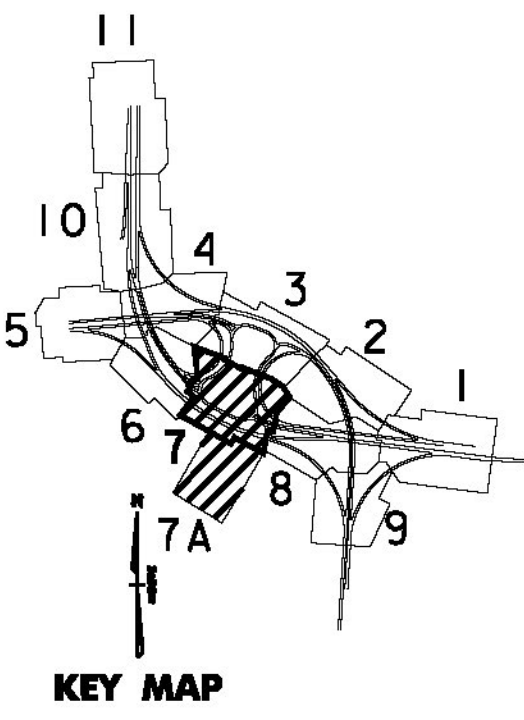
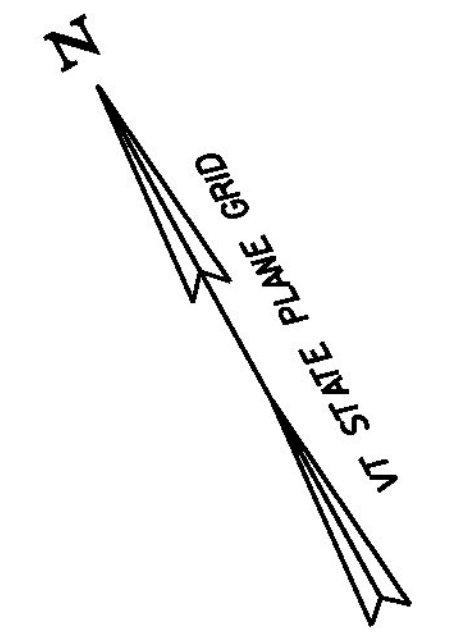
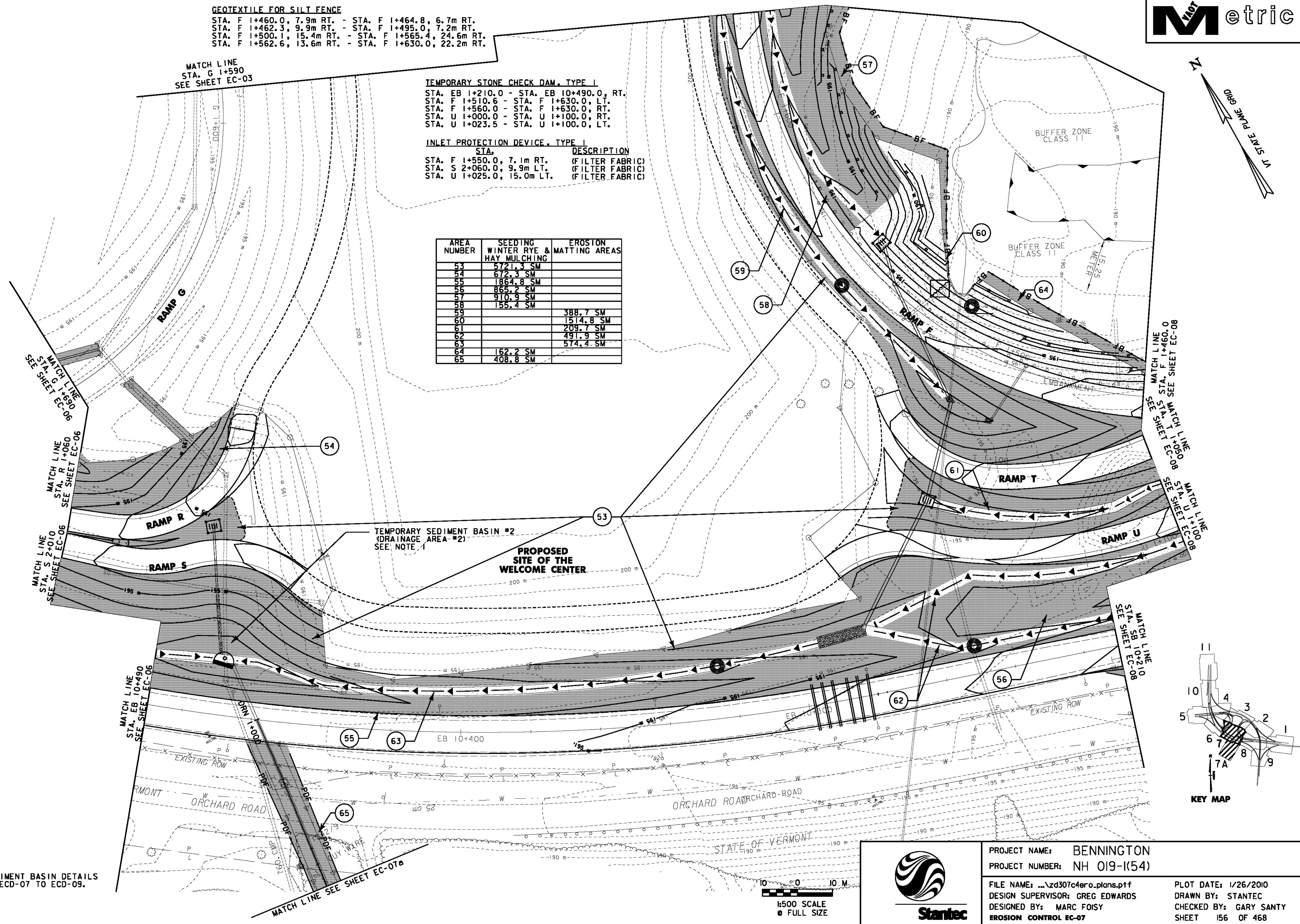
**MATCH LINE**  
 STA. G 1+590  
 SEE SHEET EC-03

**TEMPORARY STONE CHECK DAM, TYPE I**  
 STA. EB 1+210.0 - STA. EB 10+490.0, RT.  
 STA. F 1+510.6 - STA. F 1+630.0, LT.  
 STA. F 1+560.0 - STA. F 1+630.0, RT.  
 STA. U 1+000.0 - STA. U 1+100.0, RT.  
 STA. U 1+023.5 - STA. U 1+100.0, LT.

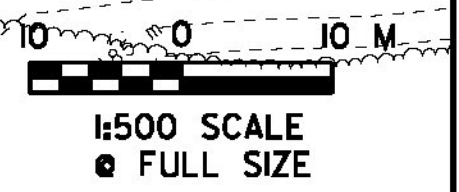
**INLET PROTECTION DEVICE, TYPE I**

STA.	DESCRIPTION
STA. F 1+550.0, 7.1m RT.	(FILTER FABRIC)
STA. S 2+060.0, 9.9m LT.	(FILTER FABRIC)
STA. U 1+025.0, 15.0m LT.	(FILTER FABRIC)

AREA NUMBER	SEEDING WINTER RYE & HAY MULCHING	EROSION MATTING AREAS
53	5721.3 SM	
54	672.3 SM	
55	1864.8 SM	
56	865.2 SM	
57	910.9 SM	
58	155.4 SM	
59		388.7 SM
60		1514.8 SM
61		209.7 SM
62		491.9 SM
63		574.4 SM
64	162.2 SM	
65	408.8 SM	



**NOTES:**  
 1. FOR TEMPORARY SEDIMENT BASIN DETAILS SEE EPSC DETAILS ECD-07 TO ECD-09.



**PROJECT NAME:** BENNINGTON  
**PROJECT NUMBER:** NH 019-1(54)

**FILE NAME:** ...zd307c4ero.plans.pft  
**DESIGN SUPERVISOR:** GREG EDWARDS  
**DESIGNED BY:** MARC FOISY  
**EROSION CONTROL EC-07**

**PLOT DATE:** 1/26/2010  
**DRAWN BY:** STANTEC  
**CHECKED BY:** GARY SANTY  
**SHEET 156 OF 468**

1/26/2010 4:55:16 PM V:\953\active\1953\002\transportation\eroma\ec\ec07\ec07.dwg - Files\z6307c4ero.plans.pft