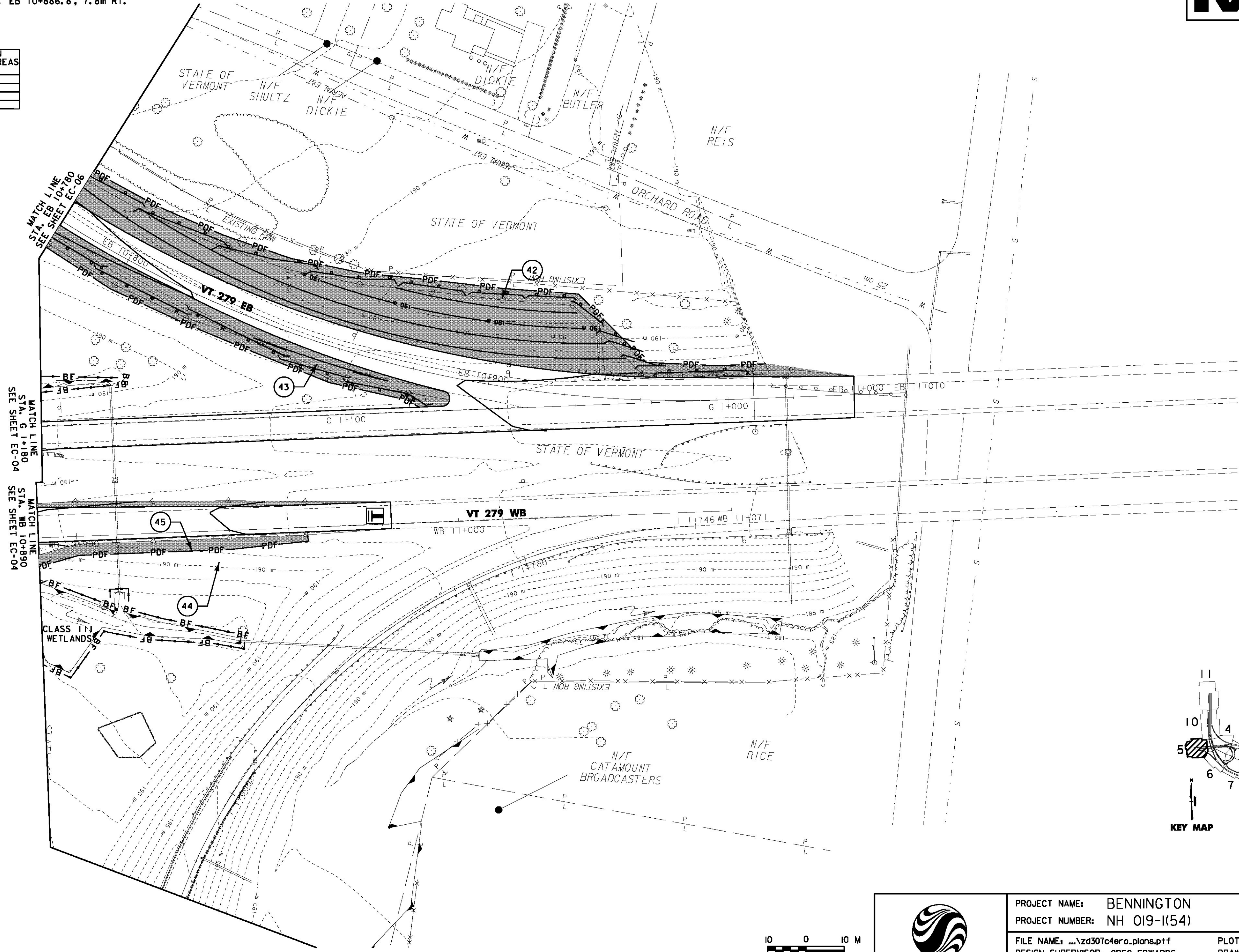
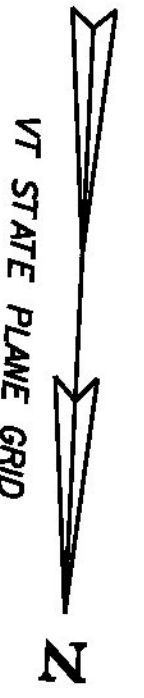


GEOTEXTILE FOR SILT FENCE
 STA. EB 10+780.0, 13.9m LT. - STA. EB 10+967.7, 7.5m LT.
 STA. EB 10+780.0, 5.2m RT. - STA. EB 10+886.8, 7.8m RT.

VEHICLE TRACKING PAD
 STA. WB 10+978.0, LT.

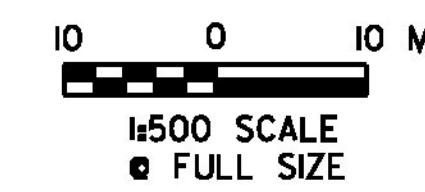
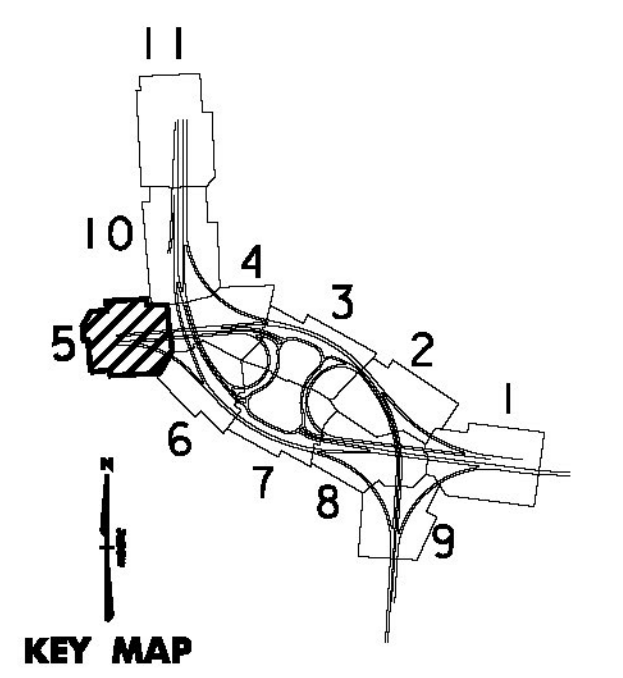
AREA NUMBER	SEEDING WINTER RYE & HAY MULCHING	EROSION MATTING AREAS
42	2325.8 SM	
43	623.1 SM	
44	196.2 SM	
45		67.6 SM



MATCH LINE
 STA. EB 10+780
 SEE SHEET EC-06

MATCH LINE
 STA. G 1+180
 SEE SHEET EC-04

MATCH LINE
 STA. WB 10+890
 SEE SHEET EC-04



PROJECT NAME: BENNINGTON
 PROJECT NUMBER: NH 019-1(54)

FILE NAME: ..\zd307c4ero.plans.ptf
 DESIGN SUPERVISOR: GREG EDWARDS
 DESIGNED BY: MARC FOISY
 EROSION CONTROL EC-05

PLOT DATE: 1/26/2010
 DRAWN BY: STANTEC
 CHECKED BY: GARY SANTY
 SHEET 154 OF 468

I:\26\2010 - 45616.ppt v:\953\active\95310022\transportation\dr\awing\con\tr\act_4\blot_files\z6307c4ero.plans.ppt