

**GEOTEXTILE FOR SILT FENCE**  
 STA. WB 10+074.2, 16.3m RT. - STA. WB 10+177.2, 10.4m RT.  
 STA. F 1+880.7, 6.1m RT. - STA. F 1+830.0, 9.0m RT.

**SPECIAL PROVISION (PIPE SLOPE DRAIN)**  
 STA. NB 10+047.5, LT.  
 STA. NB 10+122.4, LT.

**TEMPORARY STONE CHECK DAM, TYPE I**  
 STA. WB 9+880.0 - STA. WB 10+110.7, RT.

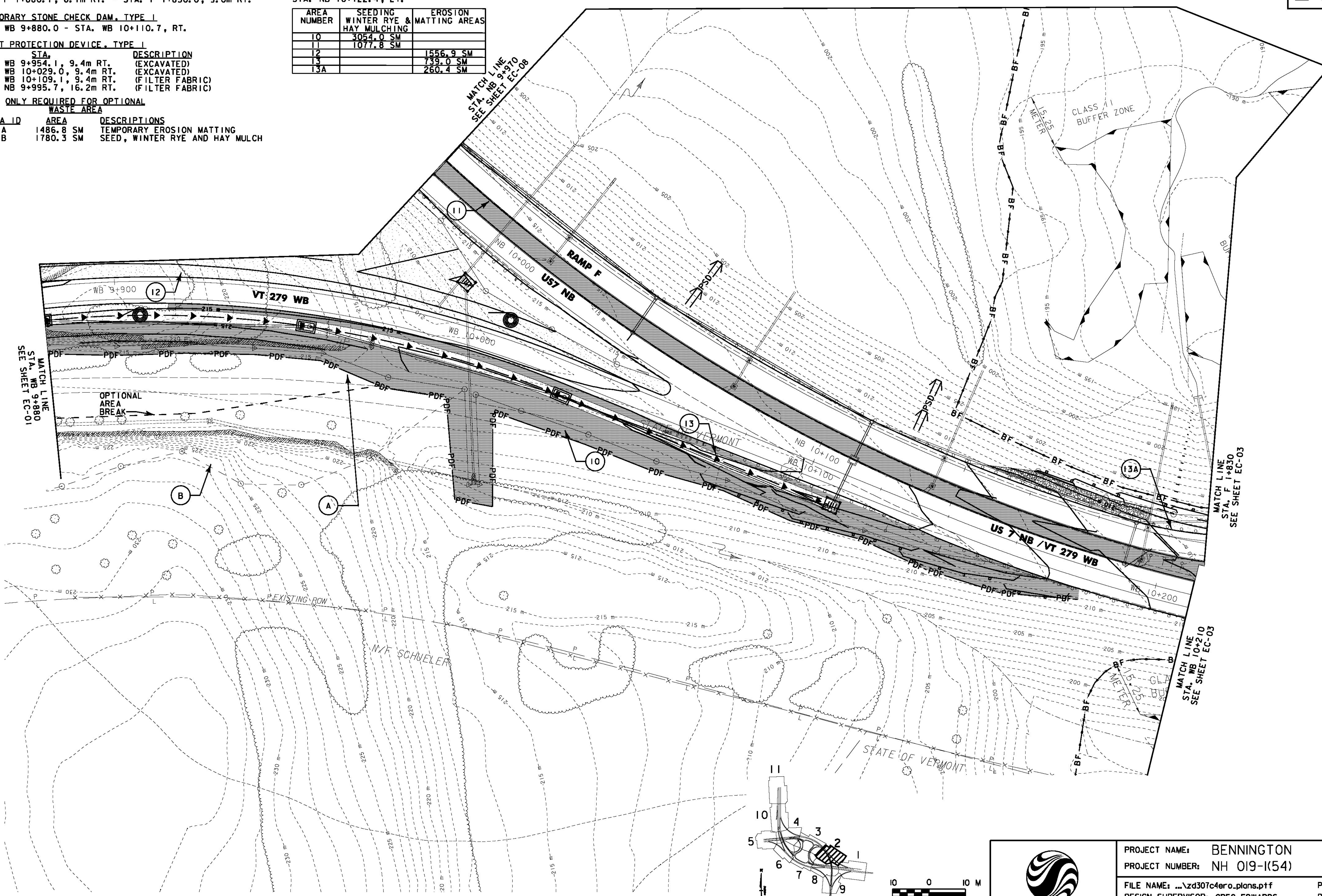
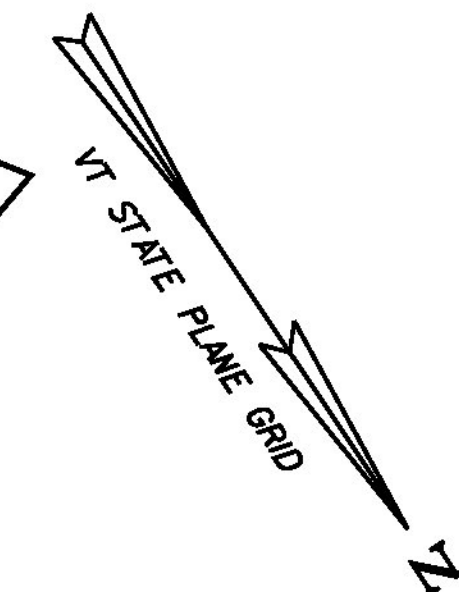
AREA NUMBER	SEEDING WINTER RYE & HAY MULCHING	EROSION MATTING AREAS
10	3054.0 SM	
11	1077.8 SM	
12		1556.9 SM
13		739.0 SM
13A		260.4 SM

**INLET PROTECTION DEVICE, TYPE I**

STA.	DESCRIPTION
9+954.1, 9.4m RT.	(EXCAVATED)
10+029.0, 9.4m RT.	(EXCAVATED)
10+109.1, 9.4m RT.	(FILTER FABRIC)
9+995.7, 16.2m RT.	(FILTER FABRIC)

**ONLY REQUIRED FOR OPTIONAL WASTE AREA**

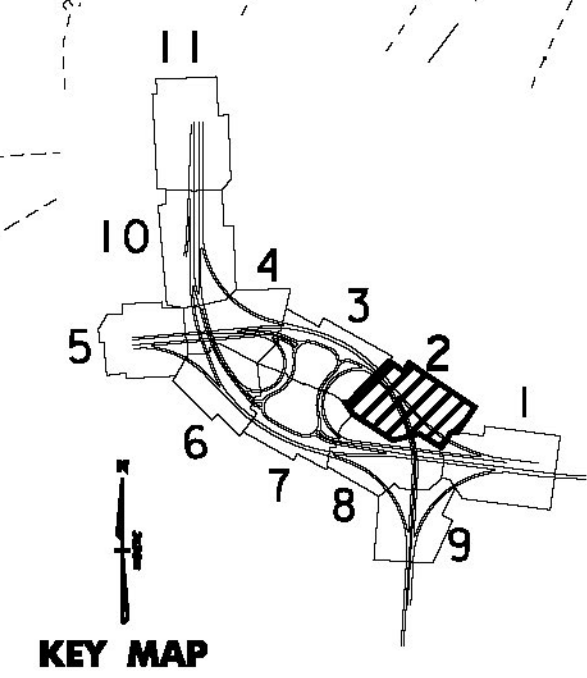
AREA ID	AREA	DESCRIPTIONS
A	1486.8 SM	TEMPORARY EROSION MATTING
B	1780.3 SM	SEED, WINTER RYE AND HAY MULCH



MATCH LINE  
STA. WB 9+880  
SEE SHEET EC-01

MATCH LINE  
STA. F 1+830  
SEE SHEET EC-03

MATCH LINE  
STA. WB 10+210  
SEE SHEET EC-03



10 0 10 M  
 1:500 SCALE  
 FULL SIZE



PROJECT NAME:	BENNINGTON	PLOT DATE:	1/26/2010
PROJECT NUMBER:	NH 019-1(54)	DRAWN BY:	STANTEC
FILE NAME:	...zd307c4ero.plans.pfl	CHECKED BY:	GARY SANTY
DESIGN SUPERVISOR:	GREG EDWARDS	EROSION CONTROL EC-02	SHEET 151 OF 468
DESIGNED BY:	MARC FOISY		

1/26/2010 4:56:00 PM V:\953\active\9531002\transportation\erom\m\comtr\ecf\_4\blot\_files\z307c4ero.plans.pfl