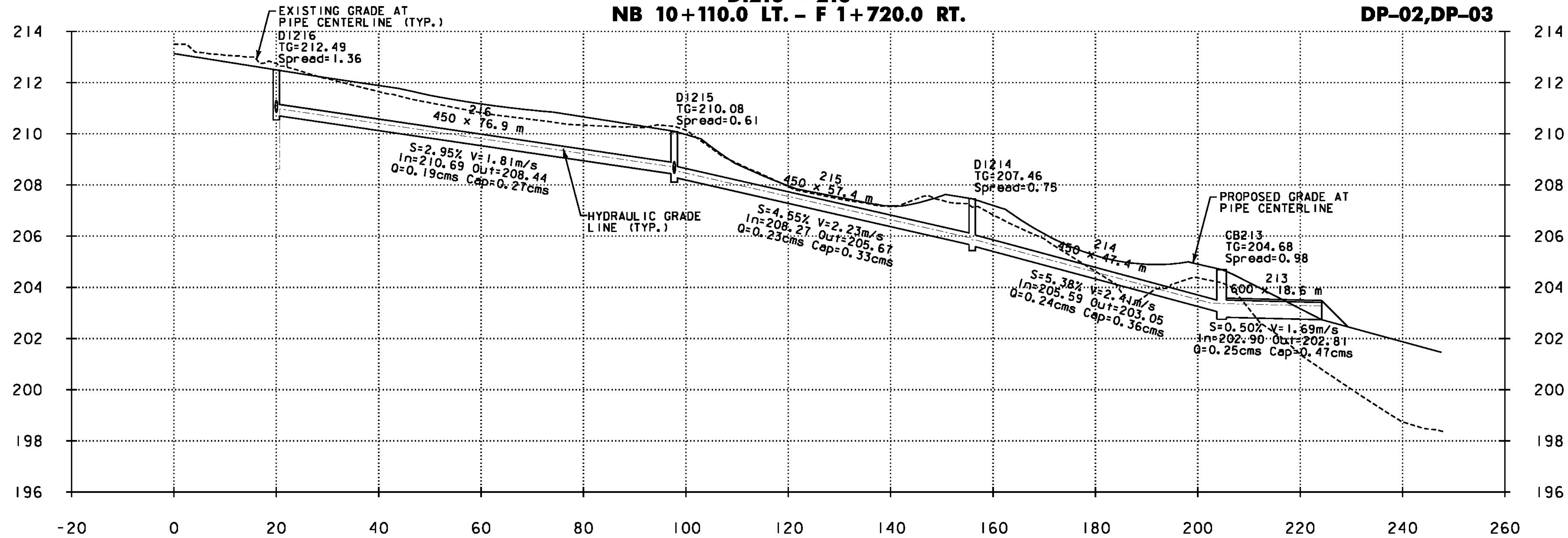


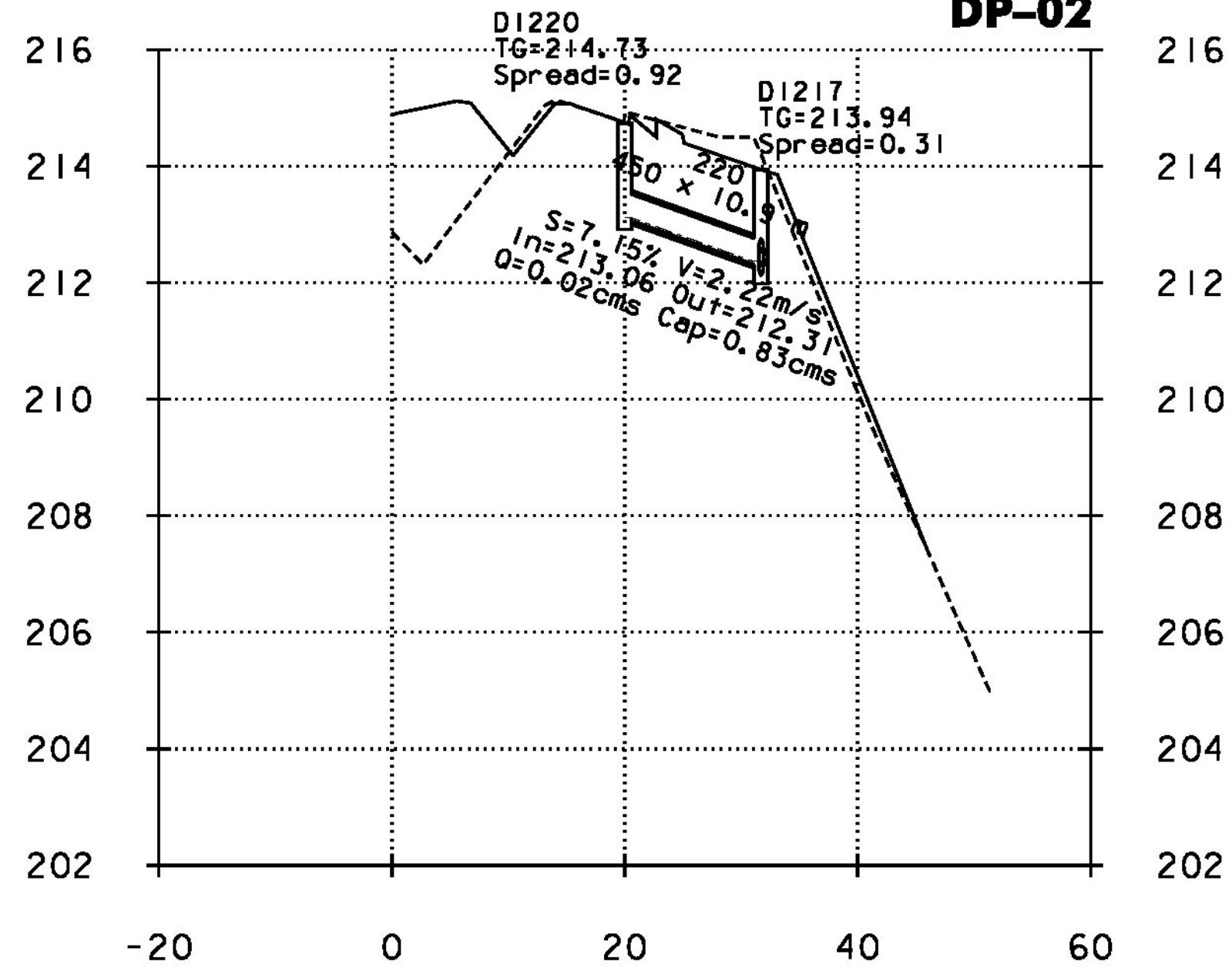
DP-XX = REFERENCE TO CORRESPONDING DRAINAGE PLAN SHEET

**DI216 - 213**  
**NB 10+110.0 LT. - F 1+720.0 RT.**

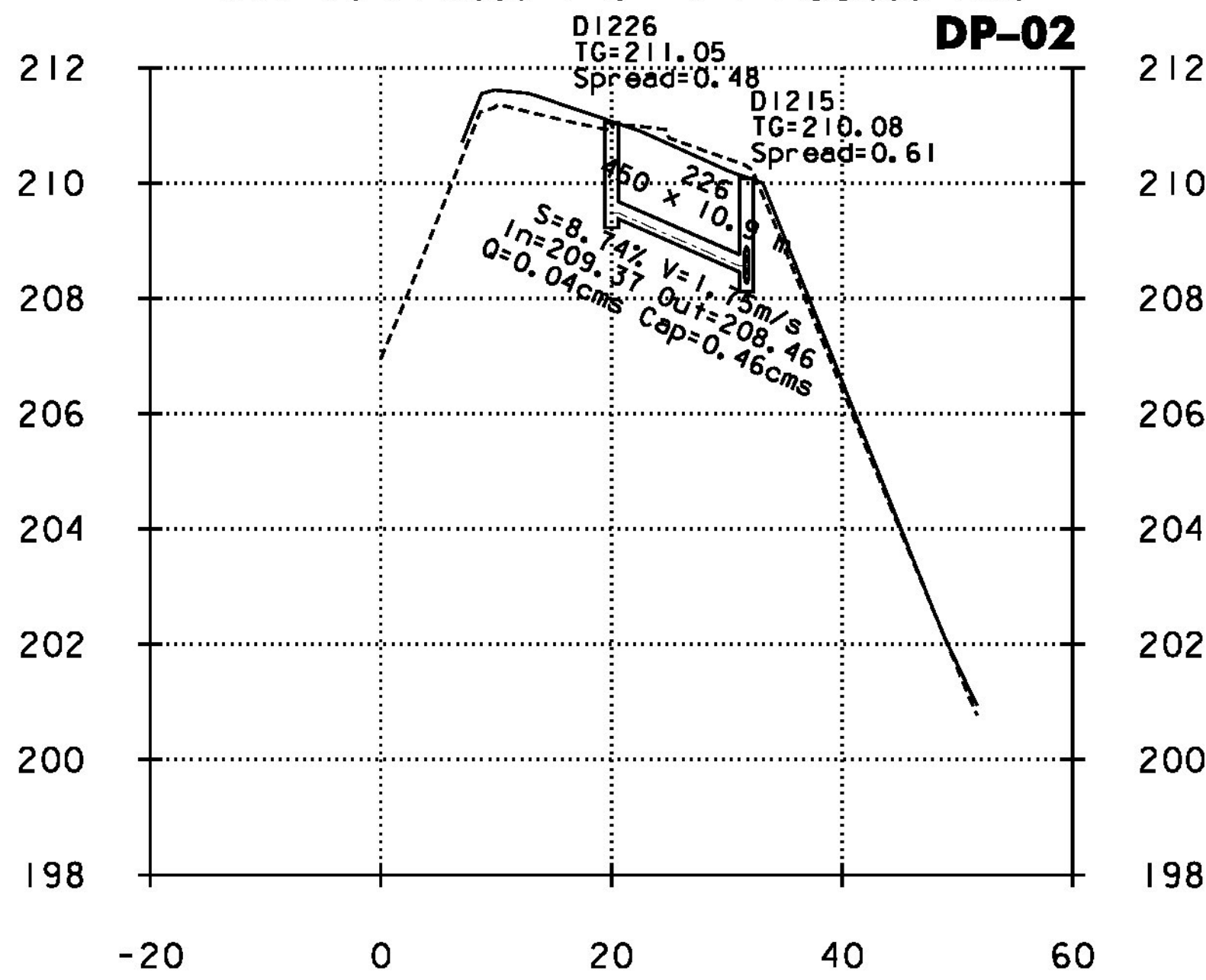
**DP-02,DP-03**



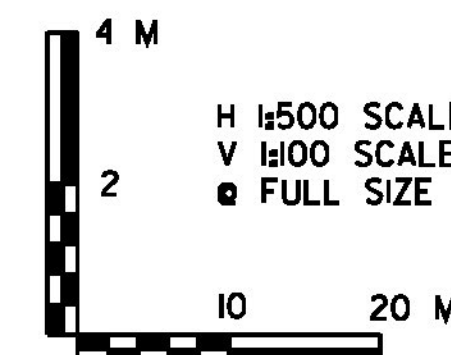
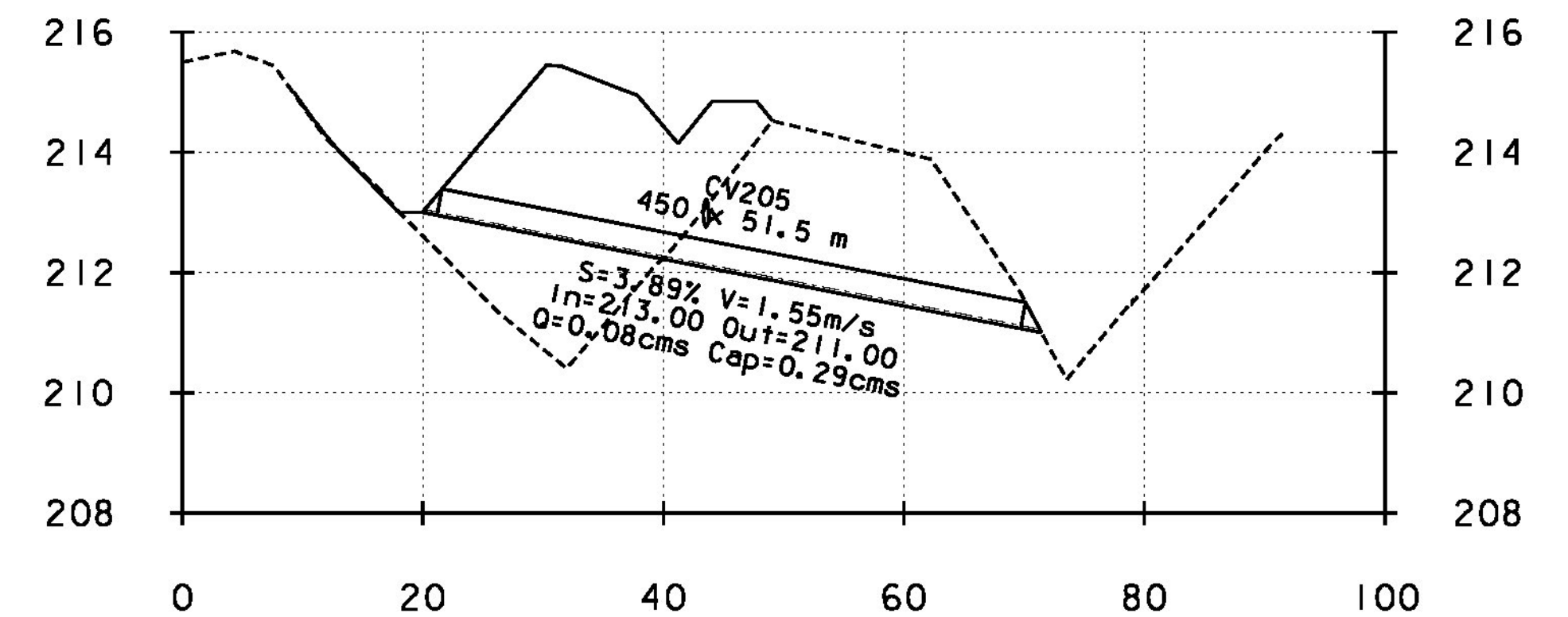
**DI220 - DI217**  
**NB 10+040.0 CL - NB 10+040.0 LT.**  
**DP-02**



**DI226 - DI215**  
**WB 10+190.0 LT. - F 1+850.0 RT.**  
**DP-02**



**CV205**  
**WB 9+994.2 LT. - WB 10+013.1 RT.**  
**DP-02**



**SYSTEM 2**



PROJECT NAME: BENNINGTON  
 PROJECT NUMBER: NH 019-1(54)

FILE NAME: ...\\plot\_files\vd307c4drn.pro.ptf PLOT DATE: 3/16/2010  
 DESIGN SUPERVISOR: GREG EDWARDS DRAWN BY: STANTEC  
 DESIGNED BY: MARC FOISY CHECKED BY: GARY SANTY  
 DRAINAGE PROFILE SHEET DPRO-05 SHEET 143 OF 468

3/16/2010 3:41:21 PM v:\953\active\19530092\transportation\drainage\com\tracet\_4\plot\_files\vd307c4drn.pro.ptf