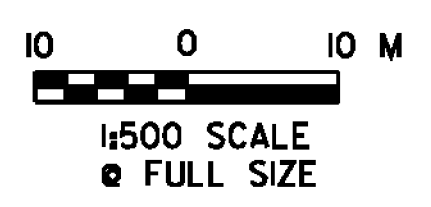
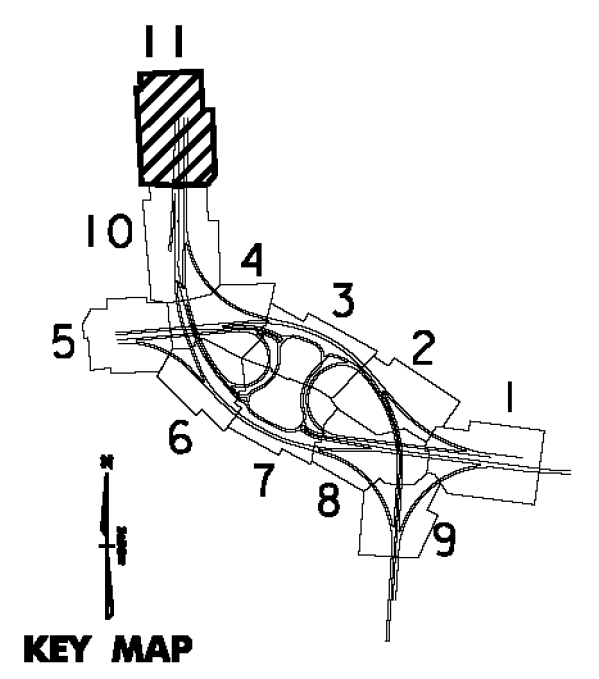
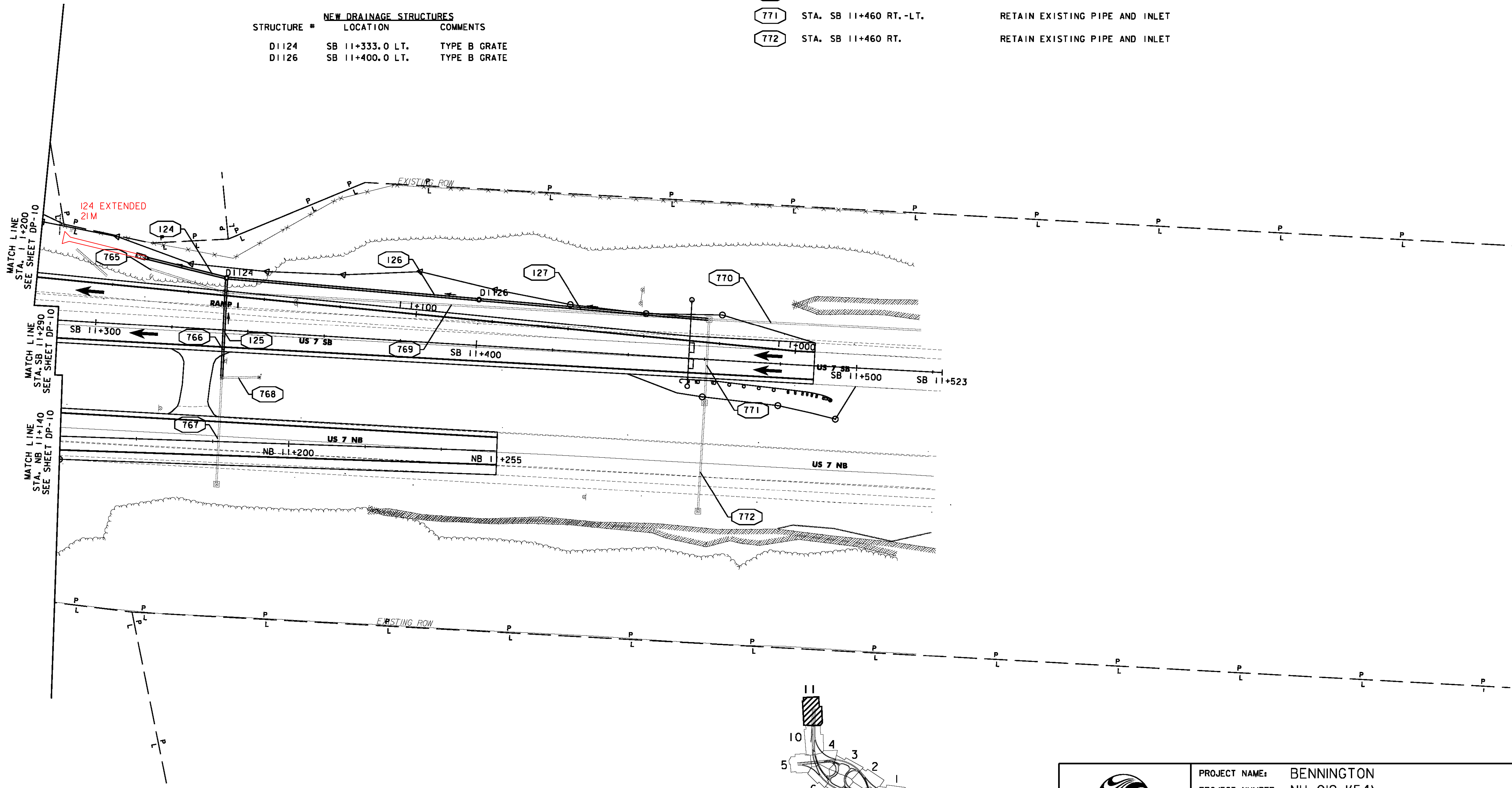




NEW DRAINAGE PIPES		
PIPE #	LOCATION	COMMENTS
124	STA. SB 11+312.9 LT. - SB 11+333.0 LT.	600 x 20.6 m OPTION 3 END SECTION AT OUTLET STONE FILL TYPE II OUTLET PROTECTION
125	STA. SB 11+333.0 RT. - LT.	450 x 25.3 m OPTION 3 CONNECT TO EXISTING DI AT INLET (INCIDENTAL TO PIPE)
126	STA. SB 11+333.0 LT. - SB 11+400.0 LT.	600 x 65.7 m OPTION 3
127	STA. SB 11+400.0 LT. - SB 11+459.9 LT.	600 x 59.8 m OPTION 3 CONNECT TO EXISTING DI AT INLET (INCIDENTAL TO PIPE)

EXISTING DRAINAGE PIPES		
PIPE #	LOCATION	COMMENTS
765	STA. SB 11+313 - SB 11+333 LT.	REMOVE EXISTING PIPE AND INLET
766	STA. SB 11+333 RT.-LT.	REMOVE EXISTING PIPE RETAIN INLET
767	STA. NB 11+182 RT.	RETAIN EXISTING PIPE AND INLET
768	STA. SB 11+333 - SB 11+344 RT.	RETAIN EXISTING PIPE AND INLET
769	STA. SB 11+333 - SB 11+460 LT.	REMOVE EXISTING PIPE RETAIN INLET
770	STA. SB 11+460 - SB 11+535 LT.	RETAIN EXISTING PIPE AND INLET
771	STA. SB 11+460 RT.-LT.	RETAIN EXISTING PIPE AND INLET
772	STA. SB 11+460 RT.	RETAIN EXISTING PIPE AND INLET

NEW DRAINAGE STRUCTURES		
STRUCTURE #	LOCATION	COMMENTS
D1124	SB 11+333.0 LT.	TYPE B GRATE
D1126	SB 11+400.0 LT.	TYPE B GRATE



PROJECT NAME: BENNINGTON
 PROJECT NUMBER: NH 019-(154)
 FILE NAME: ...zd307c4drn_plans.ptf
 DESIGN SUPERVISOR: GREG EDWARDS
 DESIGNED BY: MARC FOISY
 DRAINAGE PLANS DP-11
 PLOT DATE: 1/26/2010
 DRAWN BY: STANTEC
 CHECKED BY: GARY SANTY
 SHEET 138 OF 468

1/26/2010 4:48:53 PM v:\1953\getlive\19530002\tr\anspor\ref\ion\dr\aw\ng\com\tr\cop_4\p\ot_4\files\z6507\eddrn_plans.ppt