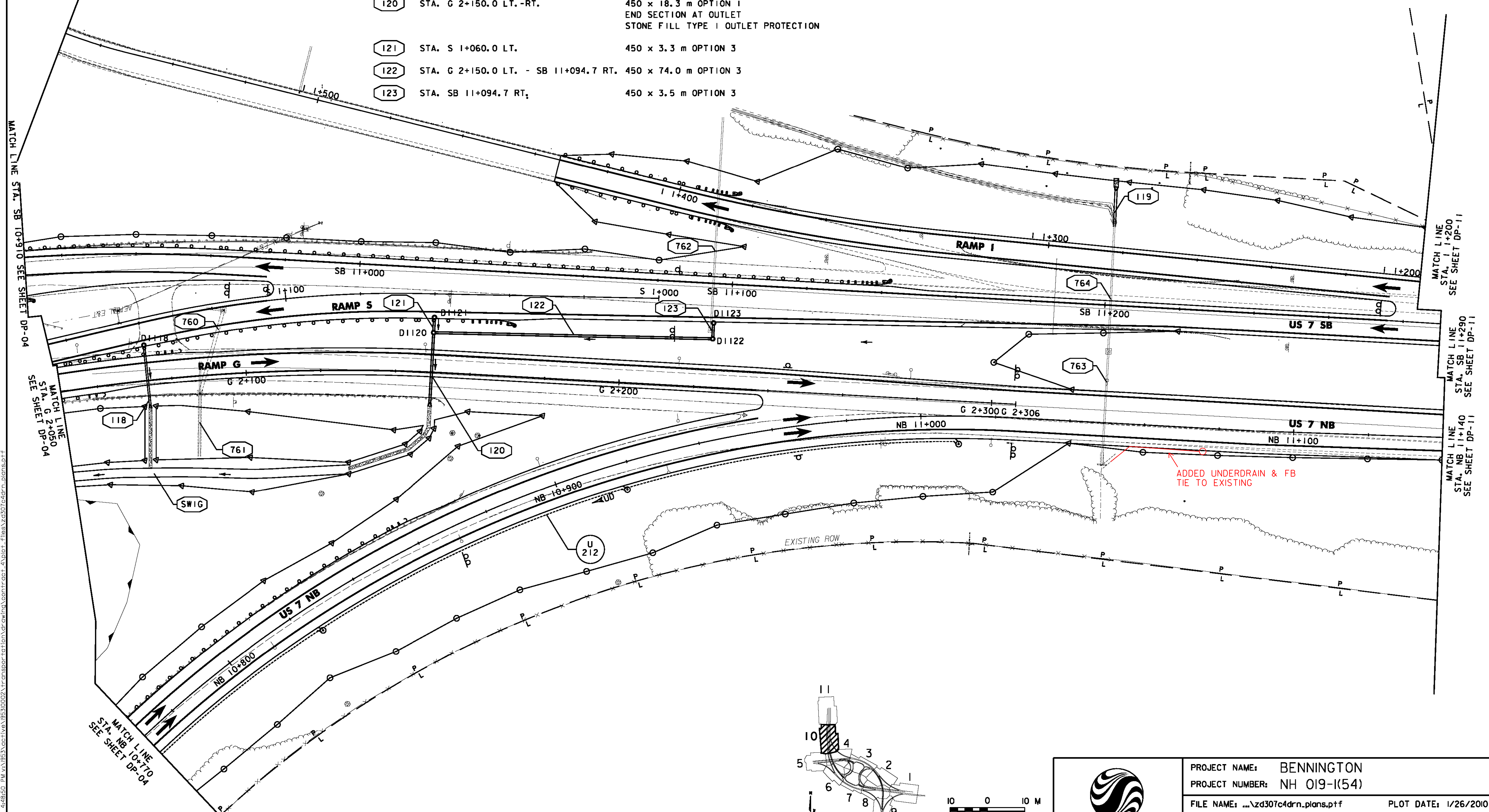




STRUCTURE #	LOCATION	COMMENTS
D1118	S 1+140.0 LT.	TYPE B GRATE
D1120	G 2+150.0 LT.	TYPE B GRATE
D1121	S 1+060.0 LT.	TYPE B GRATE
D1122	SB 11+094.7 RT.	TYPE B GRATE
D1123	SB 11+094.7 RT.	TYPE B GRATE

PIPE #	LOCATION	COMMENTS
118	STA. S 1+140.0 LT. - G 2+074.0 RT.	450 x 15.7 m OPTION 3 END SECTION AT OUTLET STONE FILL TYPE I OUTLET PROTECTION
119	STA. I 1+283.4 RT.	600 x 9.6m PCCSP CONNECT TO EXISTING PIPE AT INLET (INCIDENTAL TO PIPE) END SECTION @ OUTLET STONE FILL TYPE II OUTLET PROTECTION
120	STA. G 2+150.0 LT. -RT.	450 x 18.3 m OPTION 1 END SECTION AT OUTLET STONE FILL TYPE I OUTLET PROTECTION
121	STA. S 1+060.0 LT.	450 x 3.3 m OPTION 3
122	STA. G 2+150.0 LT. - SB 11+094.7 RT.	450 x 74.0 m OPTION 3
123	STA. SB 11+094.7 RT.	450 x 3.5 m OPTION 3

PIPE #	LOCATION	COMMENTS
760	STA. S 1+117 RT. - G 2+086 RT.	REMOVE EXISTING PIPE AND INLET
761	STA. G 2+084 - G 2+086 RT.	REMOVE EXISTING PIPE AND INLET
762	STA. SB 11+094 LT. -RT.	REMOVE EXISTING INLET PLUG, FILL AND ABANDON EXISTING PIPE
763	STA. NB 11+049 RT. -LT.	RETAIN EXISTING PIPE AND HEADWALL
764	STA. SB 11+201 LT. -RT.	RETAIN EXISTING PIPE AND INLET



MATCH LINE STA. SB 10+910 SEE SHEET DP-04

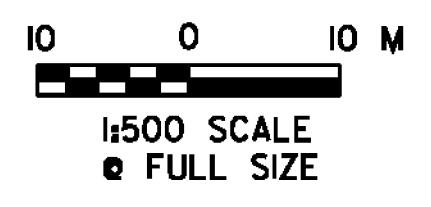
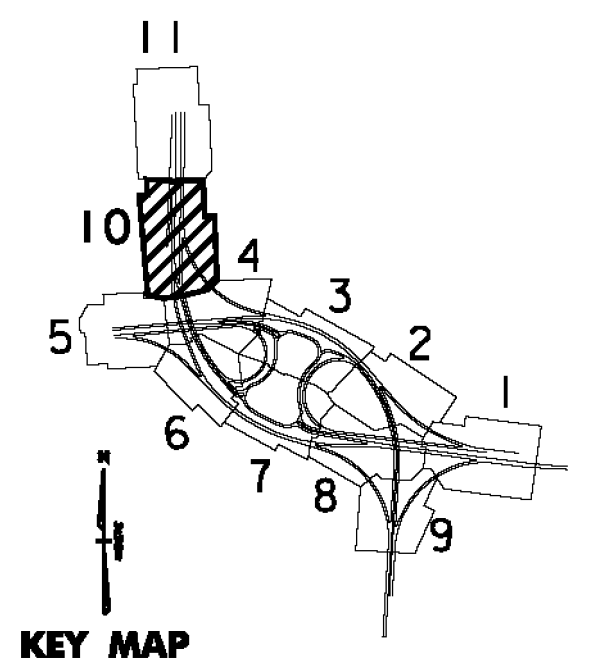
MATCH LINE STA. G 2+050 SEE SHEET DP-04

MATCH LINE STA. I 1+200 SEE SHEET DP-11

MATCH LINE STA. SB 11+290 SEE SHEET DP-11

MATCH LINE STA. NB 11+140 SEE SHEET DP-11

1/26/2010 4:48:50 PM v:\1953\active\19530002A\tr\anspor\ref\10\dr\aw\ng\com\tr\cap\4\p\ot\files\z6307\dr\drn_plans.prf



PROJECT NAME: BENNINGTON	PLOT DATE: 1/26/2010
PROJECT NUMBER: NH 019-(154)	DRAWN BY: STANTEC
FILE NAME: ...z6307c4drn_plans.prf	CHECKED BY: GARY SANTY
DESIGN SUPERVISOR: GREG EDWARDS	SHEET 137 OF 468
DESIGNED BY: MARC FOISY	
DRAINAGE PLANS DP-10	