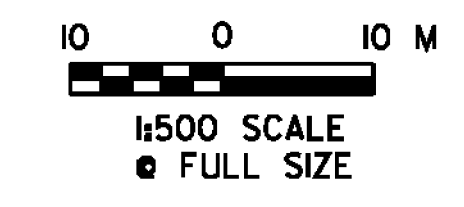
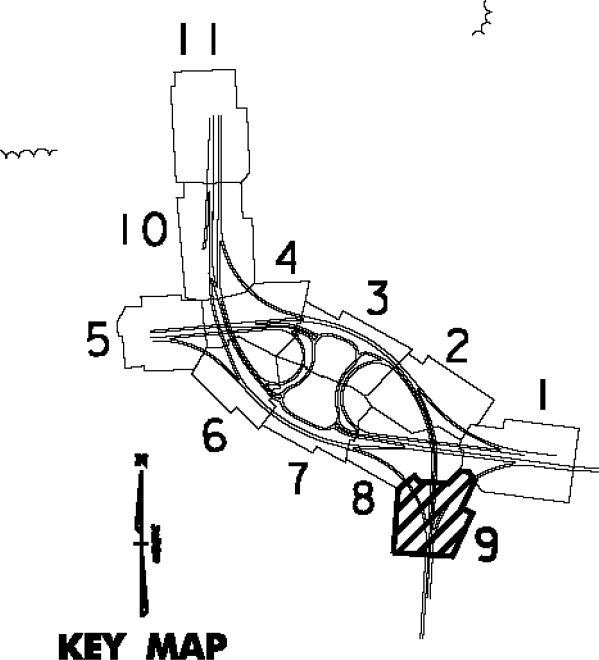
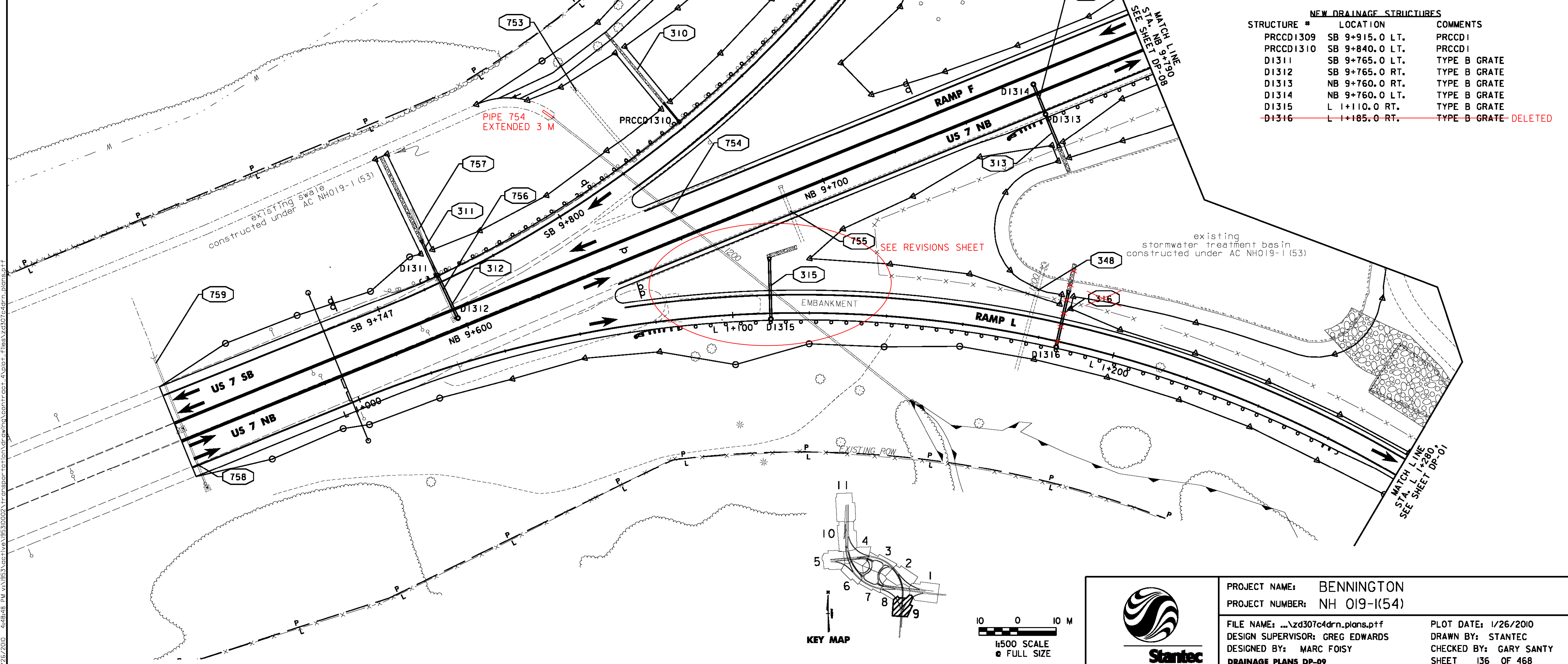


PIPE #	LOCATION	COMMENTS
309	STA. SB 9+915.0 LT.	300 x 5.6 m PCCSP END SECTION AT OUTLET STONE FILL TYPE II OUTLET PROTECTION
310	STA. SB 9+840.0 LT.	300 x 5.5 m PCCSP END SECTION AT OUTLET STONE FILL TYPE II OUTLET PROTECTION
311	STA. SB 9+765.0 LT.	450 x 8.9 m PCCSP END SECTION AT OUTLET STONE FILL TYPE II OUTLET PROTECTION
312	STA. SB 9+765.0 RT. - LT.	450 x 11.6 m OPTION 3
313	STA. NB 9+760.0 RT.	450 x 8.1 m OPTION 3 END SECTION AT OUTLET STONE FILL TYPE I OUTLET PROTECTION
314	STA NB 9+760.0 LT. -RT.	450 x 7.6 m OPTION 1
315	STA L 1+110.0 RT. -LT.	450 x 14.8 m OPTION 1 END SECTION AT OUTLET STONE FILL TYPE I OUTLET PROTECTION
316	STA L 1+185.0 RT. -LT.	450 x 13.7 m OPTION 1 END SECTION AT OUTLET STONE FILL TYPE I OUTLET PROTECTION DELETED

STORMWATER MANAGEMENT		
STRUCTURE #	LOCATION	COMMENTS
SW3C	SB 9+800.0 - SB 10+140.0, LT.	CONST. VEGETATED TREATMENT SWALE (SEE SHEET SWM-1 FOR DETAILS)

EXISTING DRAINAGE PIPES		
PIPE #	LOCATION	COMMENTS
348	STA. L 1+178 RT. -LT.	RETAIN EXISTING PIPE AND INLET
752	STA. SB 9+916 LT.	REMOVE EXISTING PIPE AND INLET
753	STA. SB 9+824 LT.	REMOVE EXISTING PIPE AND INLET
754	STA. L 1+149 - SB 9+813 RT. -LT.	RETAIN EXSITING CULVERT
755	STA. NB 9+689 RT.	REMOVE EXISTING PIPE AND INLET
756	STA. NB 9+598 LT.	REMOVE EXISTING PIPE AND INLET
757	STA. SB 9+765 LT.	REMOVE EXISTING PIPE AND INLET
758	STA. NB 9+522 RT. -LT.	RETAIN EXISTING PIPE AND INLET
759	STA. NB 9+522 LT.	RETAIN EXISTING PIPE AND INLET

NEW DRAINAGE STRUCTURES		
STRUCTURE #	LOCATION	COMMENTS
PRCCD1309	SB 9+915.0 LT.	PRCCDI
PRCCD1310	SB 9+840.0 LT.	PRCCDI
D1311	SB 9+765.0 LT.	TYPE B GRATE
D1312	SB 9+765.0 RT.	TYPE B GRATE
D1313	NB 9+760.0 RT.	TYPE B GRATE
D1314	NB 9+760.0 LT.	TYPE B GRATE
D1315	L 1+110.0 RT.	TYPE B GRATE
D1316	L 1+185.0 RT.	TYPE B GRATE DELETED



PROJECT NAME: BENNINGTON	PROJECT NUMBER: NH 019-(154)
FILE NAME: ...zd307c4drn_plans.ptf	PLOT DATE: 1/26/2010
DESIGN SUPERVISOR: GREG EDWARDS	DRAWN BY: STANTEC
DESIGNED BY: MARC FOISY	CHECKED BY: GARY SANTY
DRAINAGE PLANS DP-09	SHEET 136 OF 468

1/26/2010 4:48:48 PM v:\1953\active\19530002\transportation\drawing\comfr\cst_4\plot_files\z307c4drn_plans.ppt