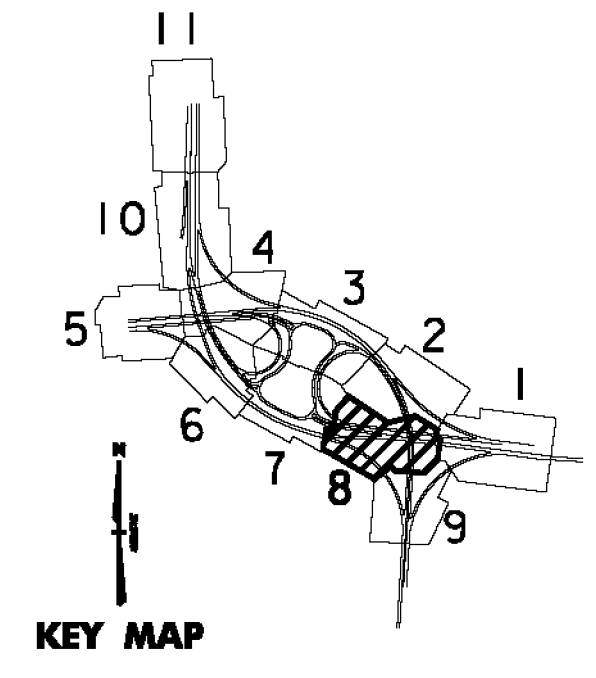
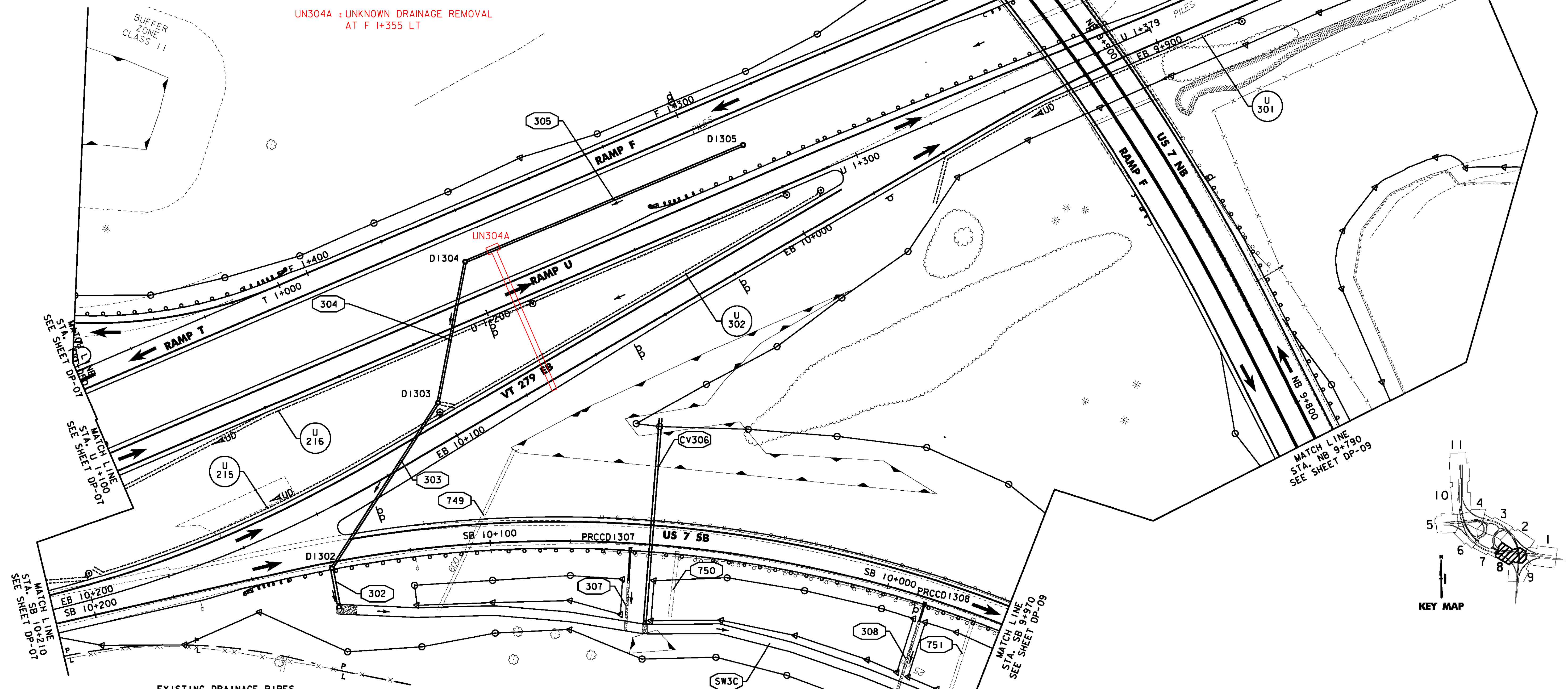


PIPE #	LOCATION	COMMENTS
302	STA. SB 10+140.0 LT.	600 x 8.7 m OPTION 1 END SECTION AT OUTLET STONE FILL TYPE I OUTLET PROTECTION
303	STA. EB 10+100.0 RT. - SB 10+140.0 LT.	450 x 48.1 m OPTION 3
304	STA. U 1+200.0 LT. - EB 10+100.0 RT.	450 x 35.0 m OPTION 1
305	STA. U 1+200.0 LT. - U 1+275.0 LT.	450 x 74.2 m OPTION 1
CV306	STA. SB 10+060.0 RT.-LT.	450 x 51.3 m OPTION 1 END SECTION AT INLET & OUTLET STONE FILL TYPE II OUTLET PROTECTION
307	STA. SB 10+065.0 LT.	300 x 6.9 m PCCSP END SECTION AT OUTLET STONE FILL TYPE II OUTLET PROTECTION
308	STA. SB 9+990.0 LT.	300 x 3.8 m PCCSP END SECTION AT OUTLET STONE FILL TYPE II OUTLET PROTECTION

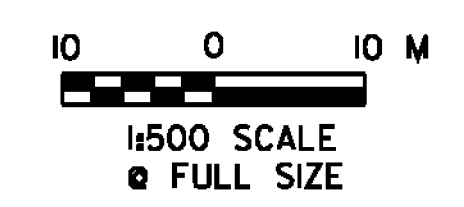
NEW DRAINAGE STRUCTURES		
STRUCTURE #	LOCATION	COMMENTS
D1302	SB 10+140.0 LT.	TYPE B GRATE
D1303	EB 10+100.0 RT.	TYPE B GRATE
D1304	U 1+200.0 LT.	TYPE B GRATE
D1305	U 1+275.0 LT.	TYPE B GRATE
PRCCD1307	SB 10+065.0 LT.	PRCCD I
PRCCD1308	SB 9+990.0 LT.	PRCCD I

UNDERDRAIN		
U	LOCATION	COMMENTS
U 301	EB 9+880.0 - EB 9+970.0 LT.	NEW 150 x 80.0 m UND. W/FLUSHING BASIN @ EB 9+880.0, LT. NEW 150 x 10.0 m UNDERDRAIN CARRIER PIPE @ OUTLET
U 302	EB 9+993.0 - EB 10+100.0 RT.	NEW 150 x 105 m UND. W/FLUSHING BASIN @ EB 9+993.0, RT. NEW 150 x 3.0 m UNDERDRAIN CARRIER PIPE @ OUTLET
U 216	U 1+100.0 - U 1+280.0 RT.	NEW 150 x 140 m UND. W/ FLUSHING BASINS @ U 1+210.0, RT., U 1+280.0, RT. NEW 150 x 40.0 m UNDERDRAIN CARRIER PIPE @ OUTLET

UN304A : UNKNOWN DRAINAGE REMOVAL
AT F 1+355 LT



EXISTING DRAINAGE PIPES		
PIPE #	LOCATION	COMMENTS
749	STA. SB 10+093 RT. - SB 10+115 LT.	PLUG, FILL AND ABANDON EXISTING CULVERT
750	STA. SB 10+053 LT.	REMOVE EXISTING PIPE AND INLET
751	STA. SB 9+977 LT.	REMOVE EXISTING PIPE AND INLET



PROJECT NAME: BENNINGTON	PROJECT NUMBER: NH 019-(154)
FILE NAME: ...zd307c4drn.plans.ptf	PLOT DATE: 1/26/2010
DESIGN SUPERVISOR: GREG EDWARDS	DRAWN BY: STANTEC
DESIGNED BY: MARC FOISY	CHECKED BY: GARY SANTY
DRAINAGE PLANS DP-08	SHEET 135 OF 468

1/26/2010 4:48:46 PM V:\1953\getlive\1953\002\tr\ansport\ref\10\dr\aw\ng\com\tr\001_4\p01_1\files\z6507\c4drn.plans.ptf