

STORMWATER MANAGEMENT

STRUCTURE #	LOCATION	COMMENTS
SW2B	S 1+801.0, RT. - S 2+031.0, RT.	CONST. VEGETATED TREATMENT SWALE (SEE SHEET SWM-1 FOR DETAILS)
SW2C	EB 10+490.0, RT. - SB 10+700.0 RT.	CONST. VEGETATED TREATMENT SWALE (SEE SHEET SWM-1 FOR DETAILS)

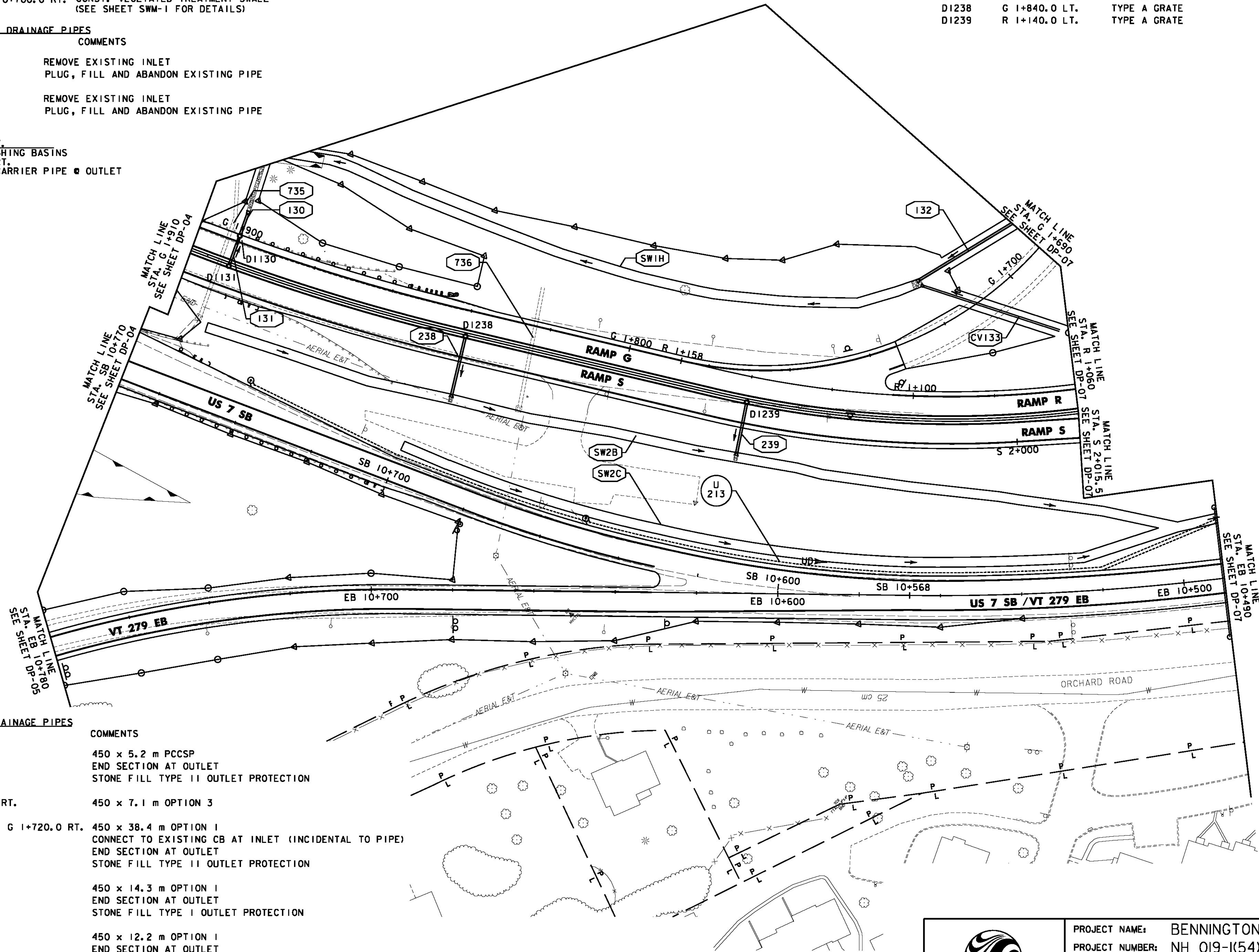
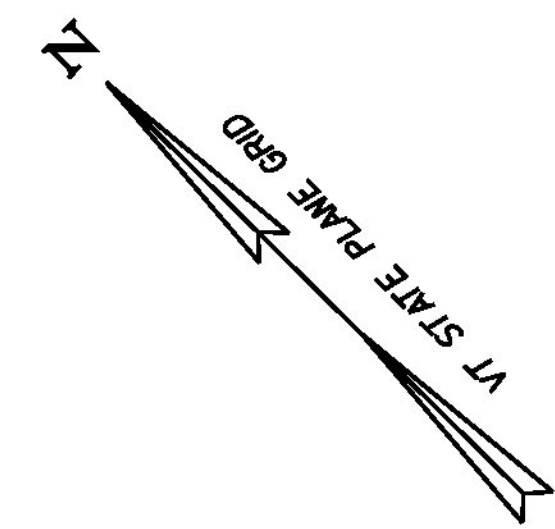
EXISTING DRAINAGE PIPES

PIPE #	LOCATION	COMMENTS
735	STA. G 1+901 LT. - RT.	REMOVE EXISTING INLET PLUG, FILL AND ABANDON EXISTING PIPE
736	STA. G 1+822 LT. - RT.	REMOVE EXISTING INLET PLUG, FILL AND ABANDON EXISTING PIPE

UNDERDRAIN

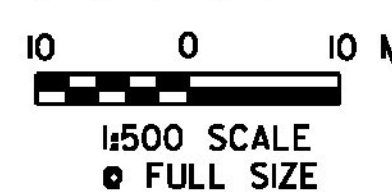
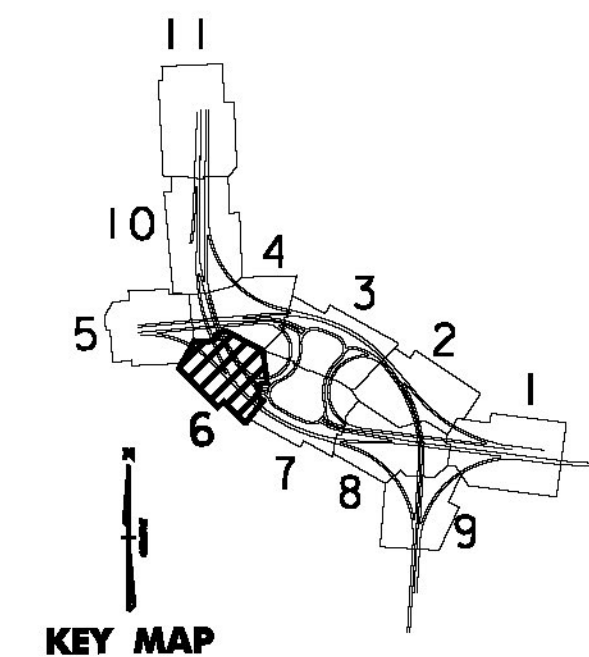
U 213	EB 10+490.0 - SB 10+740.0, RT.	NEW 150 x 220.0 m UND. W/FLUSHING BASINS
	SB 10+650.0, SB 10+740.0, RT.	NEW 150 x 30.0 m UNDERDRAIN CARRIER PIPE @ OUTLET

NEW DRAINAGE STRUCTURES		
STRUCTURE #	LOCATION	COMMENTS
D1130	G 1+900.0 RT.	TYPE B GRATE
D1131	G 1+900.0 LT.	TYPE B GRATE
D1238	G 1+840.0 LT.	TYPE A GRATE
D1239	R 1+140.0 LT.	TYPE A GRATE



NEW DRAINAGE PIPES

PIPE #	LOCATION	COMMENTS
130	STA. G 1+900.0 RT.	450 x 5.2 m PCCSP END SECTION AT OUTLET STONE FILL TYPE II OUTLET PROTECTION
131	STA. G 1+900.0 LT. - RT.	450 x 7.1 m OPTION 3
132	STA. G 1+677.6 RT. - G 1+720.0 RT.	450 x 38.4 m OPTION 1 CONNECT TO EXISTING CB AT INLET (INCIDENTAL TO PIPE) END SECTION AT OUTLET STONE FILL TYPE II OUTLET PROTECTION
238	STA. G 1+840.0 LT.	450 x 14.3 m OPTION 1 END SECTION AT OUTLET STONE FILL TYPE I OUTLET PROTECTION
239	STA. R 1+140.0 LT.	450 x 12.2 m OPTION 1 END SECTION AT OUTLET STONE FILL TYPE I OUTLET PROTECTION
CV133	STA. G 1+700.0 LT. - G 1+720.0 RT.	450 x 35.1 m OPTION 3 END SECTION AT INLET & OUTLET OUTLET ONTO PIPE 132 STONE PAD



PROJECT NAME: BENNINGTON
 PROJECT NUMBER: NH 019-1(54)
 FILE NAME: ..\zd307c4drn_plans.pxf
 DESIGN SUPERVISOR: GREG EDWARDS
 DESIGNED BY: MARC FOISY
 DRAINAGE PLANS DP-06

PLOT DATE: 1/26/2010
 DRAWN BY: STANTEC
 CHECKED BY: GARY SANTY
 SHEET 132 OF 468

1/26/2010 4:48:42 PM v:\953\active\1953\002\transportation\drainage\bennington\contract\4\1\1\1\files\z307c4drn_plans.pxf