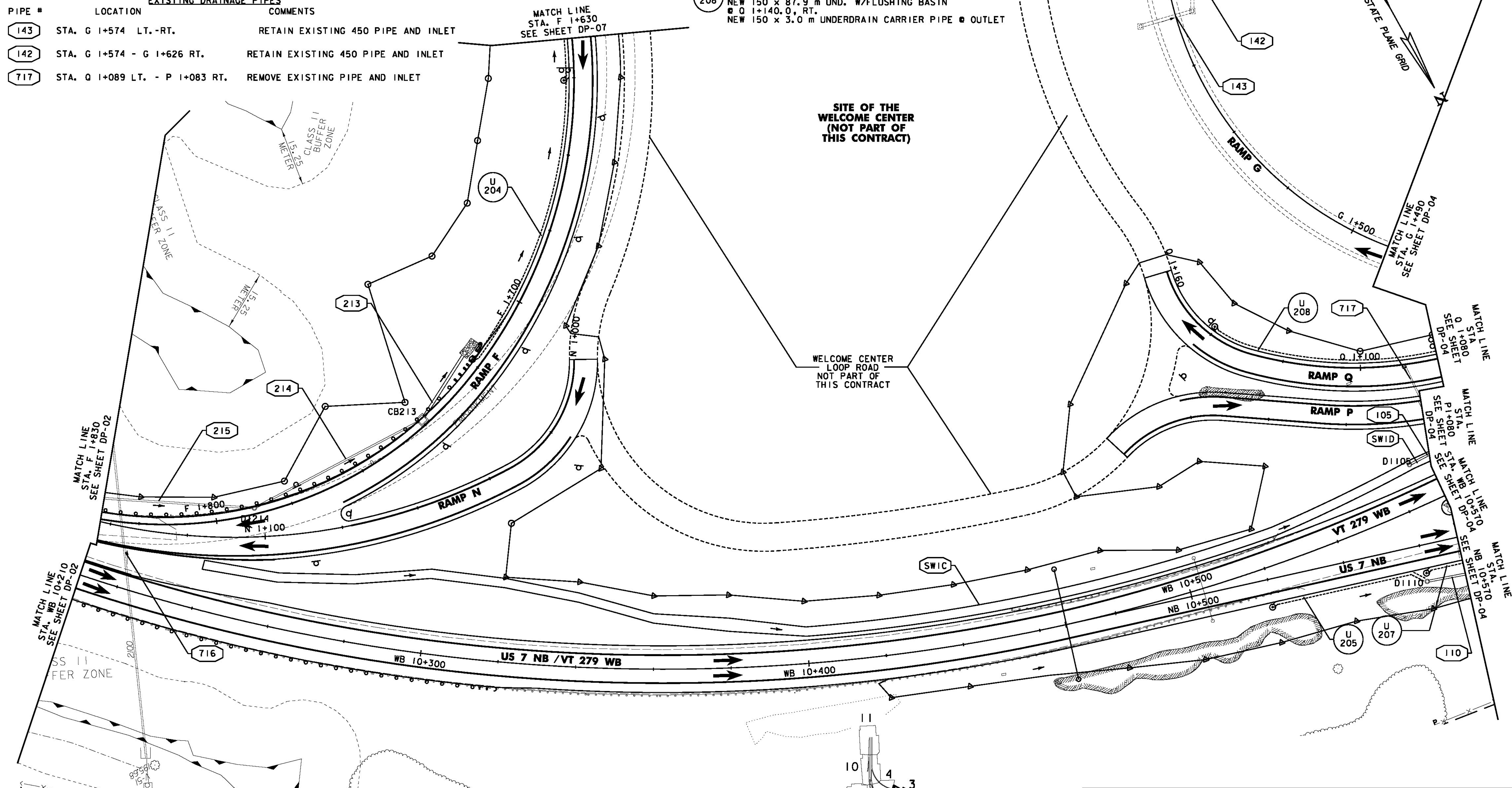


NEW DRAINAGE PIPES		
PIPE #	LOCATION	COMMENTS
105	STA. WB 10+565.0 LT. - WB 10+640.0 LT.	450 x 72.5 m OPTION 3
110	STA. NB 10+560.0 RT. - NB 10+640.0 RT.	450 x 78.5 m OPTION 3
213	STA. F 1+740.0 RT. - F 1+720.0 RT.	600 x 18.6 m CPEP (SL) END SECTION AT OUTLET STONE FILL TYPE 1 OUTLET PROTECTION
214	STA. F 1+790.0 RT. - F 1+740.0 RT.	450 x 47.4 m PCCSP

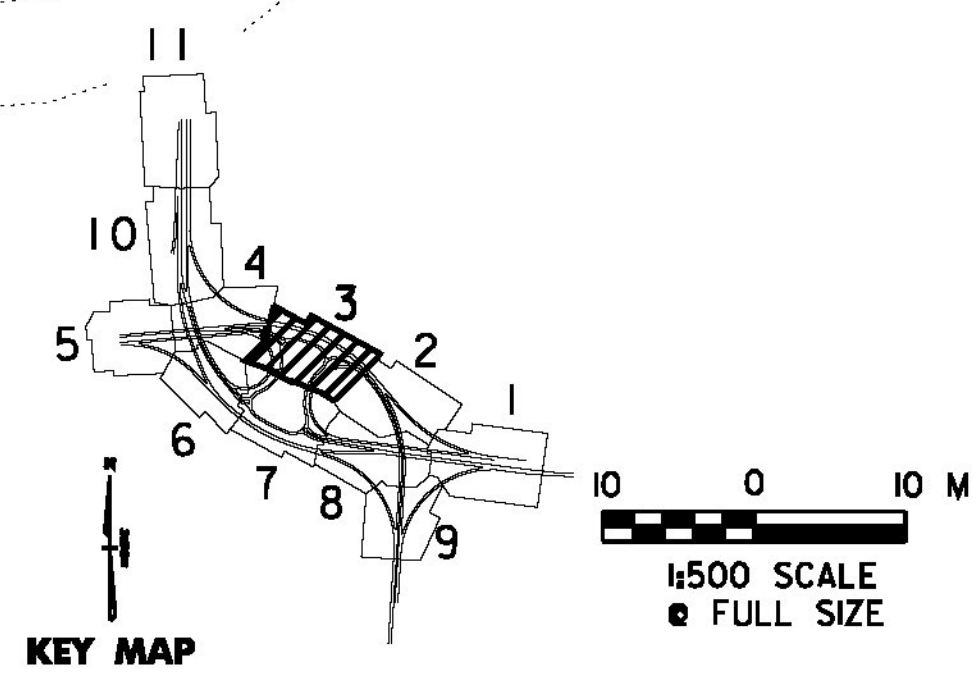
EXISTING DRAINAGE PIPES		
PIPE #	LOCATION	COMMENTS
143	STA. G 1+574 LT.-RT.	RETAIN EXISTING 450 PIPE AND INLET
142	STA. G 1+574 - G 1+626 RT.	RETAIN EXISTING 450 PIPE AND INLET
717	STA. Q 1+089 LT. - P 1+083 RT.	REMOVE EXISTING PIPE AND INLET

UNDERDRAIN	
U 204	F 1+540.0 - F 1+720.0, RT. NEW 150 x 160.0 m UND. W/FLUSHING BASINS F 1+640.0, F 1+720.0, RT. NEW 150 x 25.0 m UNDERDRAIN CARRIER PIPE @ OUTLET
U 205	NB 10+520.0 - NB 10+560.0, RT. NEW 150 x 37.0 m UND. W/FLUSHING BASINS WB 10+520.0, RT. NEW 150 x 3.0 m UNDERDRAIN CARRIER PIPE @ OUTLET
U 207	NB 10+562.0 - NB 10+640.0, RT. NEW 150 x 78.0 m UND. W/FLUSHING BASIN WB 10+562.0, RT.
U 208	Q 1+049.1 - Q 1+140.0, RT. NEW 150 x 87.9 m UND. W/FLUSHING BASIN Q 1+140.0, RT. NEW 150 x 3.0 m UNDERDRAIN CARRIER PIPE @ OUTLET

NEW DRAINAGE STRUCTURES		
STRUCTURE #	LOCATION	COMMENTS
CB213	F 1+740.0 RT.	TYPE B GRATE
D1214	F 1+790.0 RT.	TYPE B GRATE
D1105	WB 10+565.0 LT.	TYPE B GRATE
D1110	NB 10+560.0 RT.	TYPE A GRATE



STORMWATER MANAGEMENT		
STRUCTURE #	LOCATION	COMMENTS
SWIC	WB 10+240.0 - WB 10+565.0, LT.	CONST. VEGETATED TREATMENT SWALE (SEE SHEET SWM-1 FOR DETAILS)
SW1D	WB 10+565.0 - WB 10+640.0, LT.	CONST. VEGETATED TREATMENT SWALE (SEE SHEET SWM-1 FOR DETAILS)



PROJECT NAME:	BENNINGTON	PLOT DATE:	3/16/2010
PROJECT NUMBER:	NH 019-1(54)	DRAWN BY:	STANTEC
FILE NAME:	...zd307c4drn_plans.ppt	CHECKED BY:	GARY SANTY
DESIGN SUPERVISOR:	GREG EDWARDS	SHEET	129 OF 468
DESIGNED BY:	MARC FOISY	DRAINAGE PLANS DP-03	

3/16/2010 3:36:29 PM V:\953\active\9531002\transportation\drainage\com\trac\4\p\drn_plans\dp03.dwg