

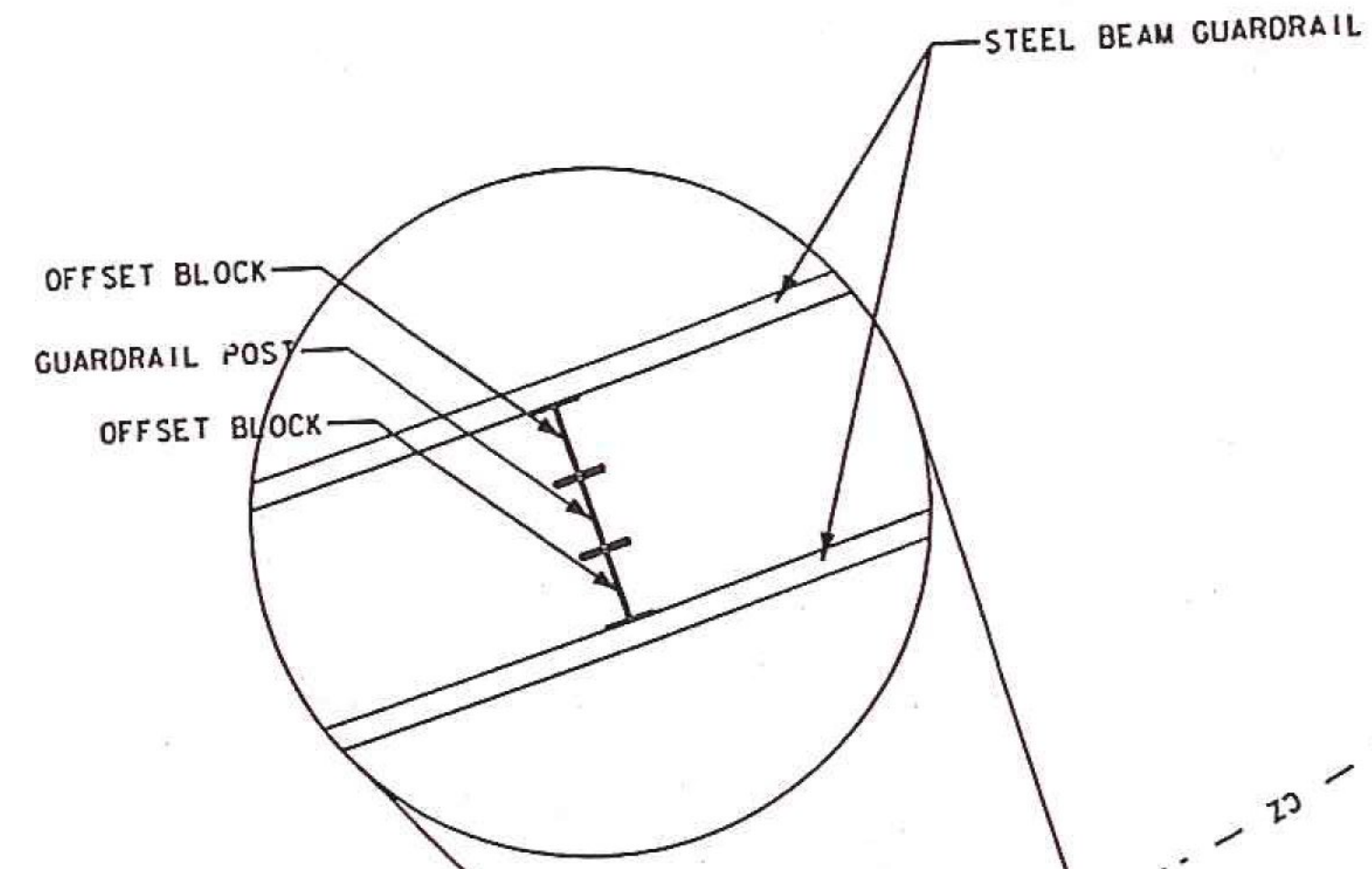
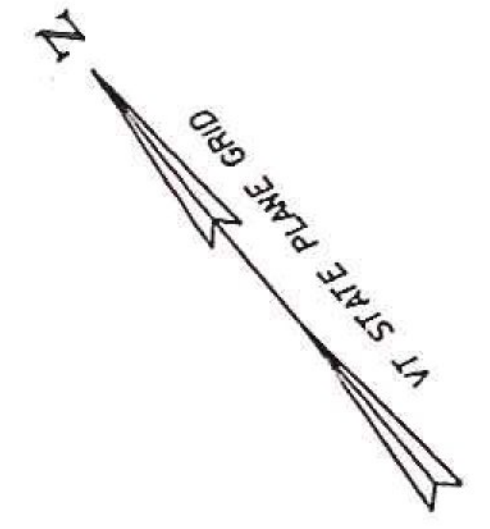
STEEL BEAM GUARDRAIL, GALVANIZED
 STA. R 1+025.1, 8.0m LT. - STA. R 1+047.4, 5.8m LT., 26.7m (7 PANELS)
 STA. S 2+029.0, 6.9m LT. - STA. S 2+055.3, 11.1m LT., 22.9m (6 PANELS)

TERMINAL CONNECTORS FOR STEEL BEAM GUARDRAIL
 STA. R 1+047.4, 5.8m LT., 1 EA
 STA. S 2+029.0, 6.9m LT., 1 EA

**GUARD RAIL & DELINEATOR WORK
 TO BE TRANSFERRED
 FROM CONTRACT 54 TO
 WELCOME CENTER**

Delineator Design from Contract 54 - Sheet 179

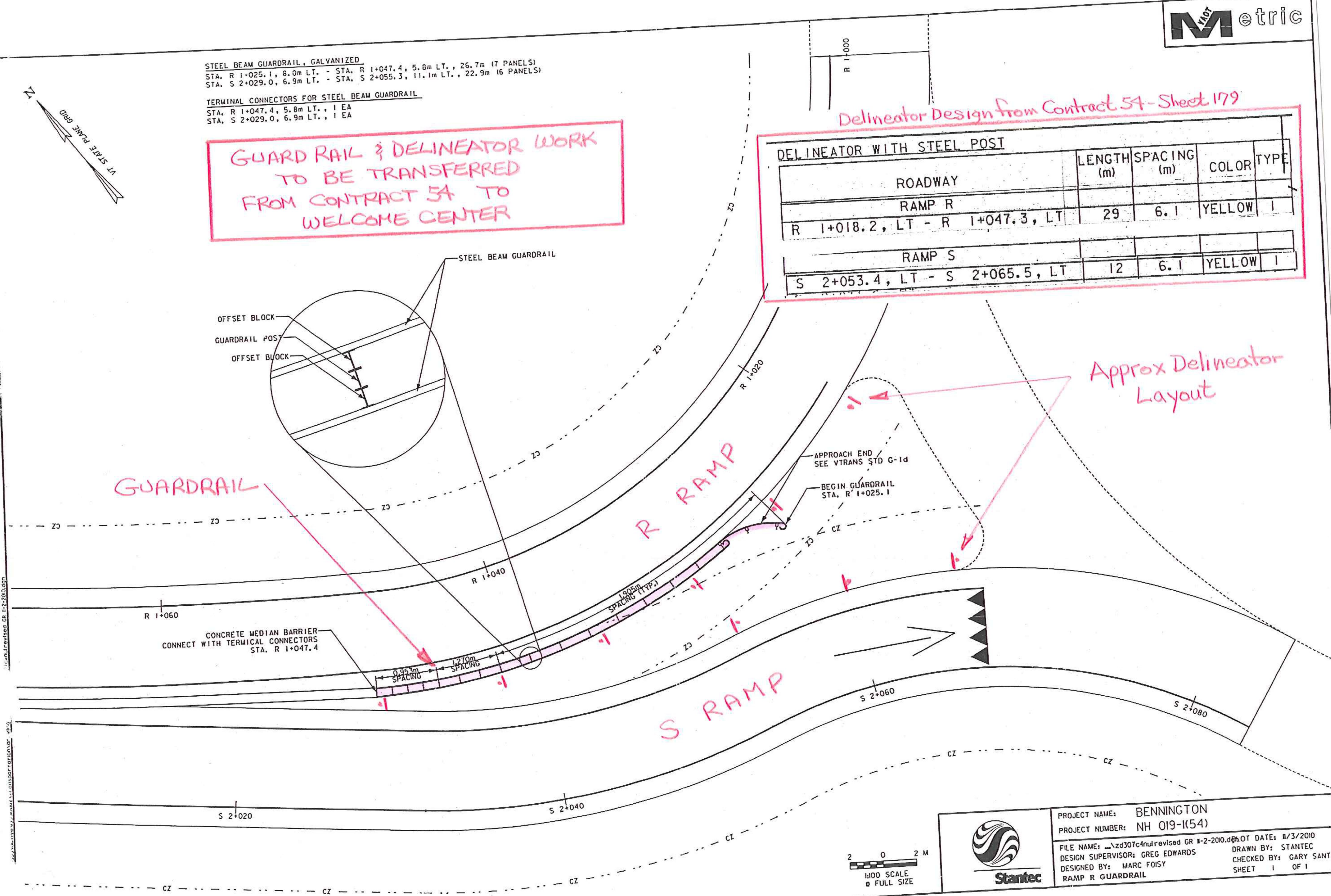
DELINEATOR WITH STEEL POST		LENGTH (m)	SPACING (m)	COLOR	TYPE
ROADWAY					
RAMP R					
R 1+018.2, LT - R 1+047.3, LT		29	6.1	YELLOW	I
RAMP S					
S 2+053.4, LT - S 2+065.5, LT		12	6.1	YELLOW	I



GUARDRAIL

Approx Delineator Layout

I:\projects\2010\11-2-2010\11-2-2010.dwg
 11/3/2010 11:51:11 AM
 11/3/2010 11:51:11 AM



	PROJECT NAME: BENNINGTON	DATE: 11/3/2010
	PROJECT NUMBER: NH 019-1154	DRAWN BY: STANTEC
FILE NAME: \\zd307c4\unrevised GR 11-2-2010.dwg	DESIGN SUPERVISOR: GREG EDWARDS	CHECKED BY: GARY SANT
DESIGNED BY: MARC FOISY	RAMP R GUARDRAIL	
		SHEET 1 OF 1