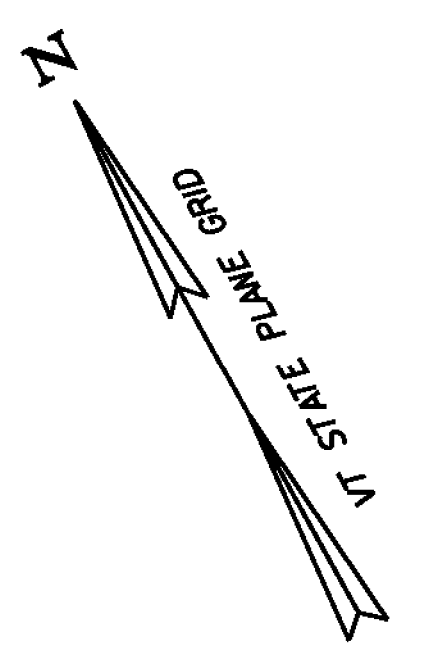
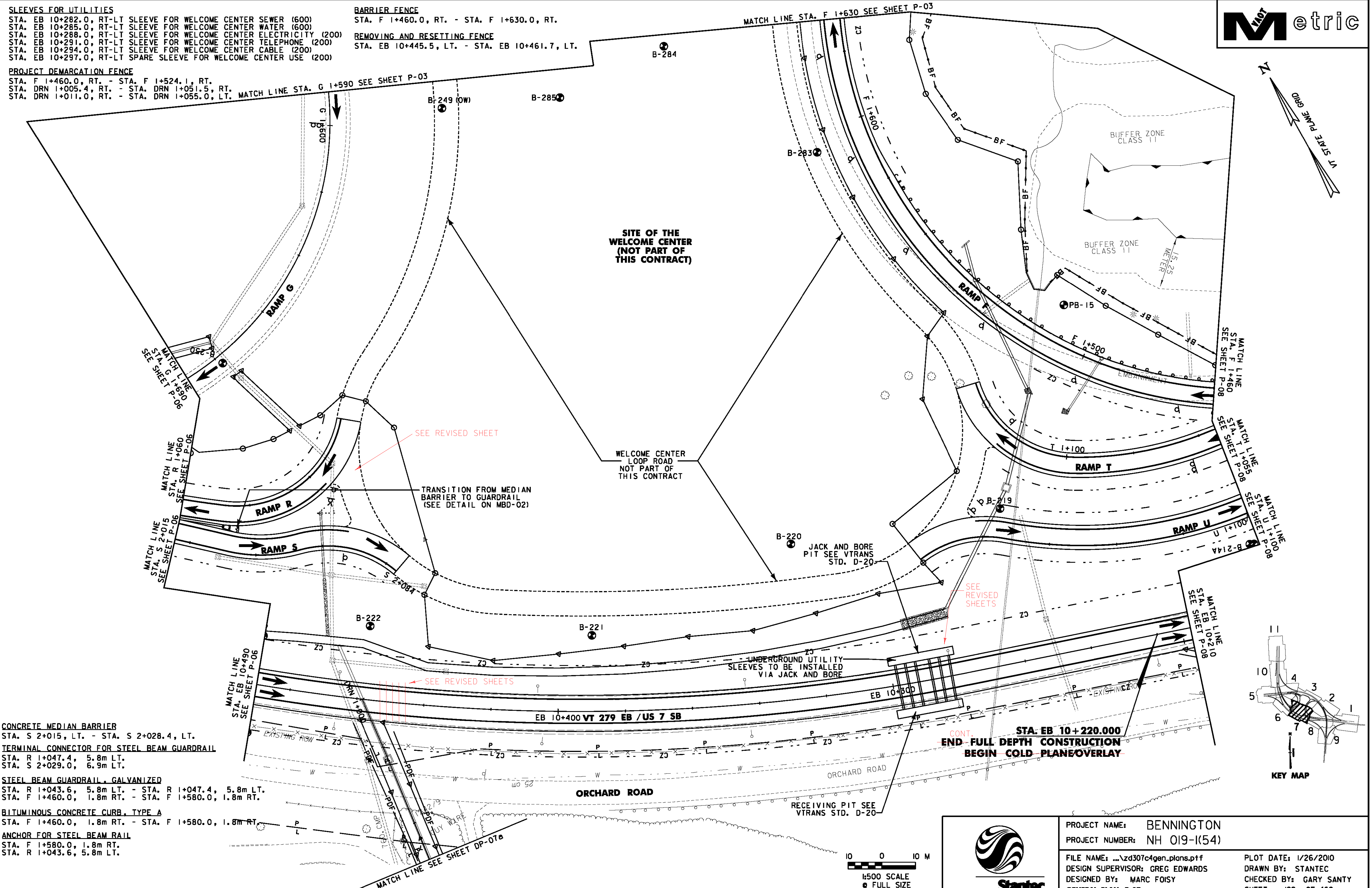


SLEEVES FOR UTILITIES
 STA. EB 10+282.0, RT-LT SLEEVE FOR WELCOME CENTER SEWER (600)
 STA. EB 10+285.0, RT-LT SLEEVE FOR WELCOME CENTER WATER (600)
 STA. EB 10+288.0, RT-LT SLEEVE FOR WELCOME CENTER ELECTRICITY (200)
 STA. EB 10+291.0, RT-LT SLEEVE FOR WELCOME CENTER TELEPHONE (200)
 STA. EB 10+294.0, RT-LT SLEEVE FOR WELCOME CENTER CABLE (200)
 STA. EB 10+297.0, RT-LT SPARE SLEEVE FOR WELCOME CENTER USE (200)

BARRIER FENCE
 STA. F 1+460.0, RT. - STA. F 1+630.0, RT.
REMOVING AND RESETTING FENCE
 STA. EB 10+445.5, LT. - STA. EB 10+461.7, LT.

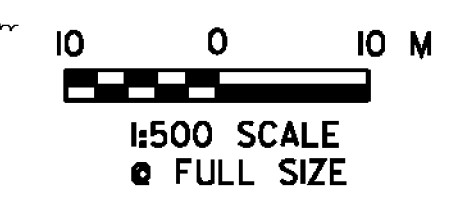
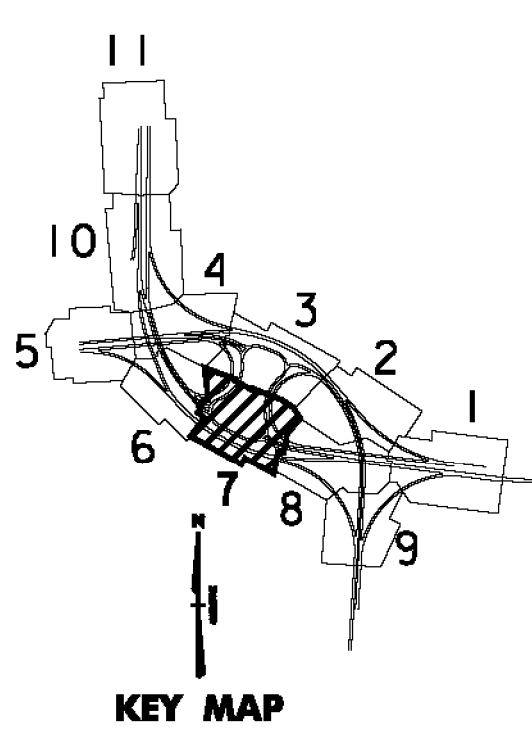
PROJECT DEMARCATION FENCE
 STA. F 1+460.0, RT. - STA. F 1+524.1, RT.
 STA. DRN 1+005.4, RT. - STA. DRN 1+051.5, RT.
 STA. DRN 1+011.0, RT. - STA. DRN 1+055.0, LT. MATCH LINE STA. G 1+590 SEE SHEET P-03



1/26/2010 4:48:17 PM V:\BEN\GEN\1019\1019.dwg V:\BEN\GEN\1019\1019.dwg V:\BEN\GEN\1019\1019.dwg V:\BEN\GEN\1019\1019.dwg V:\BEN\GEN\1019\1019.dwg

CONCRETE MEDIAN BARRIER
 STA. S 2+015, LT. - STA. S 2+028.4, LT.
TERMINAL CONNECTOR FOR STEEL BEAM GUARDRAIL
 STA. R 1+047.4, 5.8m LT.
 STA. S 2+029.0, 6.9m LT.
STEEL BEAM GUARDRAIL, GALVANIZED
 STA. R 1+043.6, 5.8m LT. - STA. R 1+047.4, 5.8m LT.
 STA. F 1+460.0, 1.8m RT. - STA. F 1+580.0, 1.8m RT.
BITUMINOUS CONCRETE CURB, TYPE A
 STA. F 1+460.0, 1.8m RT. - STA. F 1+580.0, 1.8m RT.
ANCHOR FOR STEEL BEAM RAIL
 STA. F 1+580.0, 1.8m RT.
 STA. R 1+043.6, 5.8m LT.

STA. EB 10+220.000
 CONT. END FULL DEPTH CONSTRUCTION
 BEGIN COLD PLANE/OVERLAY



PROJECT NAME: BENNINGTON	PROJECT NUMBER: NH 019-(K54)
FILE NAME: ...z307c4gen.plans.ptf	PLOT DATE: 1/26/2010
DESIGN SUPERVISOR: GREG EDWARDS	DRAWN BY: STANTEC
DESIGNED BY: MARC FOISY	CHECKED BY: GARY SANTY
GENERAL PLAN P-07	SHEET 122 OF 468