

MATCH LINE
STA. F 1+630
SEE SHEET A-03

MATCH LINE
STA. G 1+590
SEE SHEET A-03

CURVE U1
Δ = 48°45'41.4" RT
R. = 31.200m
T. = 14.140m
L. = 26.553m
E. = 3.055m
BANK = 0.020
PI STA. U 1+014.140
N = 44977.7162
E = 442531.8798
PC STA. U 1+000.000
N = 44975.4050
E = 442517.9297
PRC STA. U 1+026.553
N = 44968.7496
E = 442542.8136

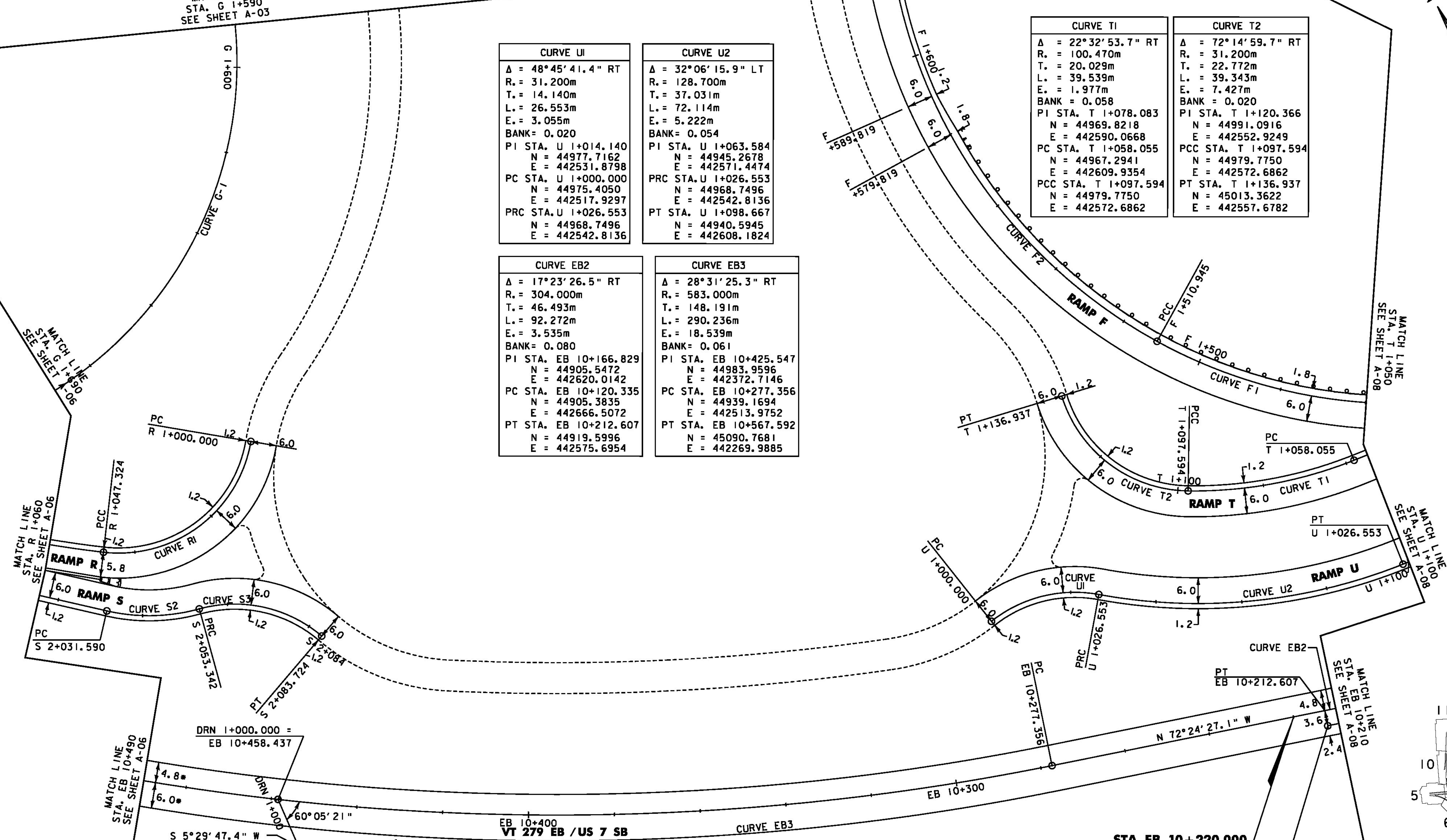
CURVE U2
Δ = 32°06'15.9" LT
R. = 128.700m
T. = 37.031m
L. = 72.114m
E. = 5.222m
BANK = 0.054
PI STA. U 1+063.584
N = 44945.2678
E = 442571.4474
PC STA. U 1+026.553
N = 44968.7496
E = 442542.8136
PT STA. U 1+098.667
N = 44940.5945
E = 442608.1824

CURVE EB2
Δ = 17°23'26.5" RT
R. = 304.000m
T. = 46.493m
L. = 92.272m
E. = 3.535m
BANK = 0.080
PI STA. EB 10+166.829
N = 44905.5472
E = 442620.0142
PC STA. EB 10+120.335
N = 44905.3835
E = 442666.5072
PT STA. EB 10+212.607
N = 44919.5996
E = 442575.6954

CURVE EB3
Δ = 28°31'25.3" RT
R. = 583.000m
T. = 148.191m
L. = 290.236m
E. = 18.539m
BANK = 0.061
PI STA. EB 10+425.547
N = 44983.9596
E = 442372.7146
PC STA. EB 10+277.356
N = 44939.1694
E = 442513.9752
PT STA. EB 10+567.592
N = 45090.7681
E = 442269.9885

CURVE T1
Δ = 22°32'53.7" RT
R. = 100.470m
T. = 20.029m
L. = 39.539m
E. = 1.977m
BANK = 0.058
PI STA. T 1+078.083
N = 44969.8218
E = 442590.0668
PC STA. T 1+058.055
N = 44967.2941
E = 442609.9354
PCC STA. T 1+097.594
N = 44979.7750
E = 442572.6862

CURVE T2
Δ = 72°14'59.7" RT
R. = 31.200m
T. = 22.772m
L. = 39.343m
E. = 7.427m
BANK = 0.020
PI STA. T 1+120.366
N = 44991.0916
E = 442552.9249
PCC STA. T 1+097.594
N = 44979.7750
E = 442572.6862
PT STA. T 1+136.937
N = 45013.3622
E = 442557.6782



CURVE G-1 CONSTRUCTED UNDER PROJECT AC NH 019-1(53)
Δ = 243°46'34.8" RT
R. = 90.000m
T. = 382.923m
L. = 382.923m
BANK = N/A
PC STA. G 1+404.030
N = 45307.6398
E = 442340.7677
PT STA. G 1+786.953
N = 45171.2878
E = 442271.7275

CURVE F1
Δ = 50°34'52.4" RT
R. = 117.000m
T. = 55.282m
L. = 103.289m
E. = 12.403m
BANK = 0.056
PI STA. F 1+462.938
N = 44966.9443
E = 442612.6856
PC STA. F 1+407.656
N = 44959.9677
E = 442667.5258
PCC STA. F 1+510.945
N = 45013.7397
E = 442583.2525

CURVE F2
Δ = 101°03'41.8" RT
R. = 121.800m
T. = 147.917m
L. = 214.838m
E. = 69.811m
BANK = 0.056
PI STA. F 1+658.862
N = 45138.9492
E = 442504.4992
PCC STA. F 1+510.945
N = 45013.7397
E = 442583.2525
PC STA. F 1+725.783
N = 45192.2162
E = 442642.4924

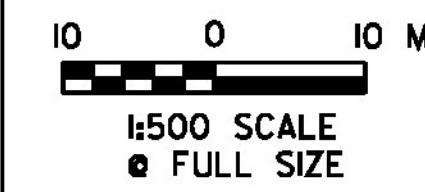
CURVE RI
Δ = 86°56'34.0" RT
R. = 31.200m
T. = 29.578m
L. = 47.344m
E. = 11.792m
BANK = 0.020
PI STA. R 1+029.558
N = 45072.4770
E = 442368.9836
PC STA. R 1+000.000
N = 45095.5928
E = 442387.4369
PCC STA. R 1+047.324
N = 45089.6711
E = 442344.9165

CURVE S2
Δ = 28°19'26.8" LT
R. = 44.000m
T. = 11.103m
L. = 21.751m
E. = 1.379m
BANK = 0.052
PI STA. S 2+042.693
N = 45069.9237
E = 442347.2380
PC STA. S 2+031.590
N = 45077.3415
E = 442338.9768
PRC STA. S 2+053.342
N = 45067.3136
E = 442358.0296

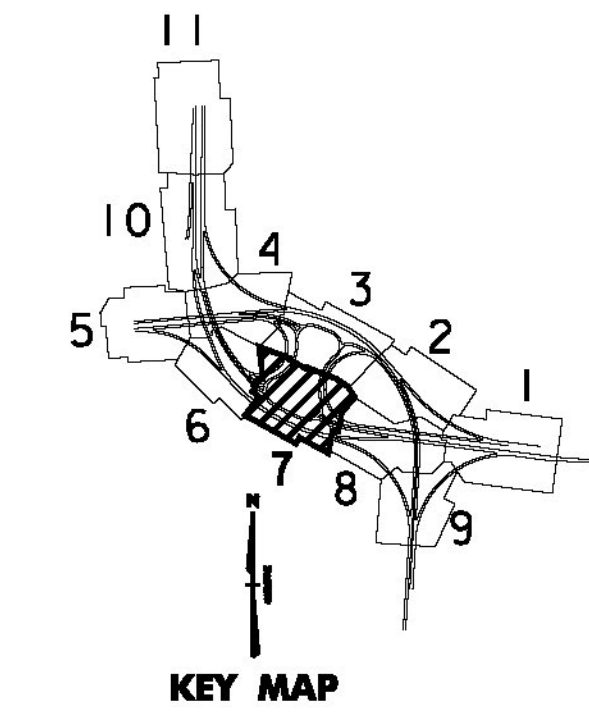
CURVE S3
Δ = 55°47'38.0" RT
R. = 31.200m
T. = 16.517m
L. = 30.382m
E. = 4.102m
BANK = 0.020
PI STA. S 2+069.859
N = 45063.4305
E = 442374.0841
PRC STA. S 2+053.342
N = 45067.3136
E = 442358.0296
PT STA. S 2+083.724
N = 45047.9702
E = 442379.8981

STA. EB 10+220.000
END FULL DEPTH CONSTRUCTION
BEGIN COLD PLANE/OVERLAY
 POT SB 10+212.607 =
 PT EB 10+212.607, 3.6m LT

• - MATCH EXISTING WIDTHS
 IN COLD PLANE AREAS



PROJECT NAME: BENNINGTON	PLOT DATE: 1/26/2010
PROJECT NUMBER: NH 019-1(54)	DRAWN BY: STANTEC
FILE NAME: ...z\307c4alg.plans.ptf	CHECKED BY: GARY SANTY
DESIGN SUPERVISOR: GREG EDWARDS	SHEET 72 OF 468
DESIGNED BY: MARC FOISY	
ALIGNMENT PLAN A-07	



1/26/2010 4:46:56 PM v:\953\active\953\002\transportation\dr\dwg\plan\plan.dwg - Files\z307c4alg.plans.ptf