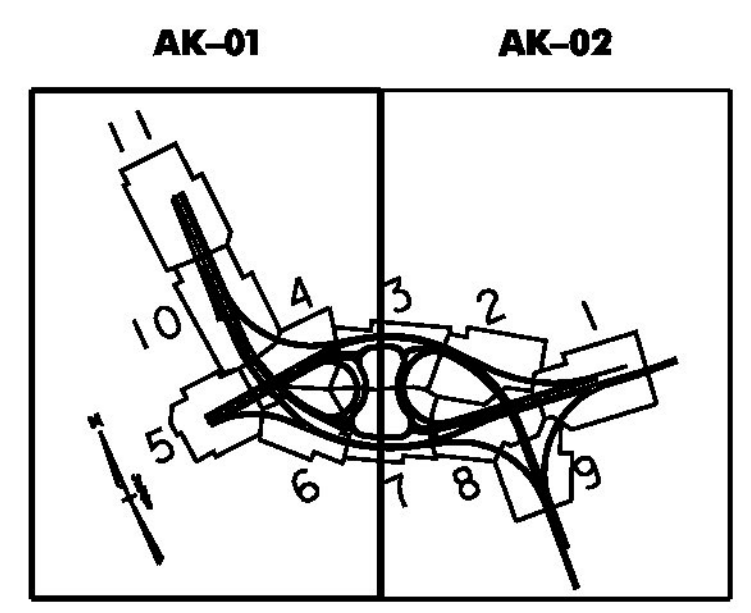


MATCH LINE
SEE SHEET AK-02



KEY MAP

- LEGEND:**
- MAINLINE PREFIX:
 WB VT 279 WESTBOUND
 EB VT 279 EASTBOUND
- RAMPS:
 SINGLE LETTER FOR RAMPS
 G, I, P, Q, R, S,
- SIDE LINE PREFIX:
 NB US 7 NORTHBOUND
 SB US 7 SOUTHBOUND
- ⇨ DIRECTION OF ALIGNMENT STATIONING
 ⇨ DIRECTION OF TRAFFIC
 SB AND EB STATIONING RUNS
 OPPOSITE TRAFFIC FLOW

1/26/2010 4:46:44 PM V:\953\active\953002\transportation\groming\contract\4\blot_files\zd307c4ak01.plt



PROJECT NAME:	BENNINGTON
PROJECT NUMBER:	NH 019-1(54)
FILE NAME:	... \plot_files\zd307c4ak01.plt
DESIGN SUPERVISOR:	GREG EDWARDS
DESIGNED BY:	MARC FOISY
ALIGNMENT KEY:	AK-01
PLOT DATE:	1/26/2010
DRAWN BY:	STANTEC
CHECKED BY:	GARY SANTY
SHEET	64 OF 468