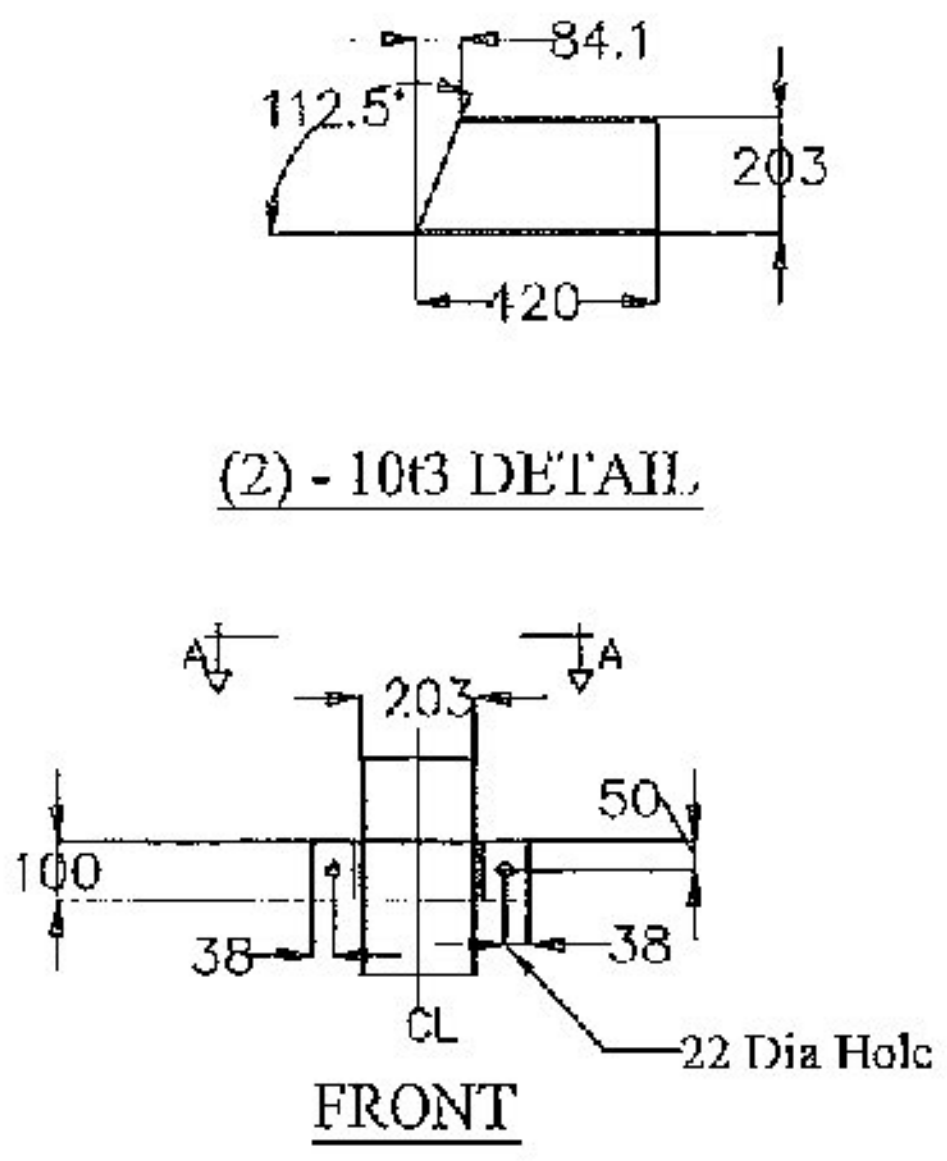
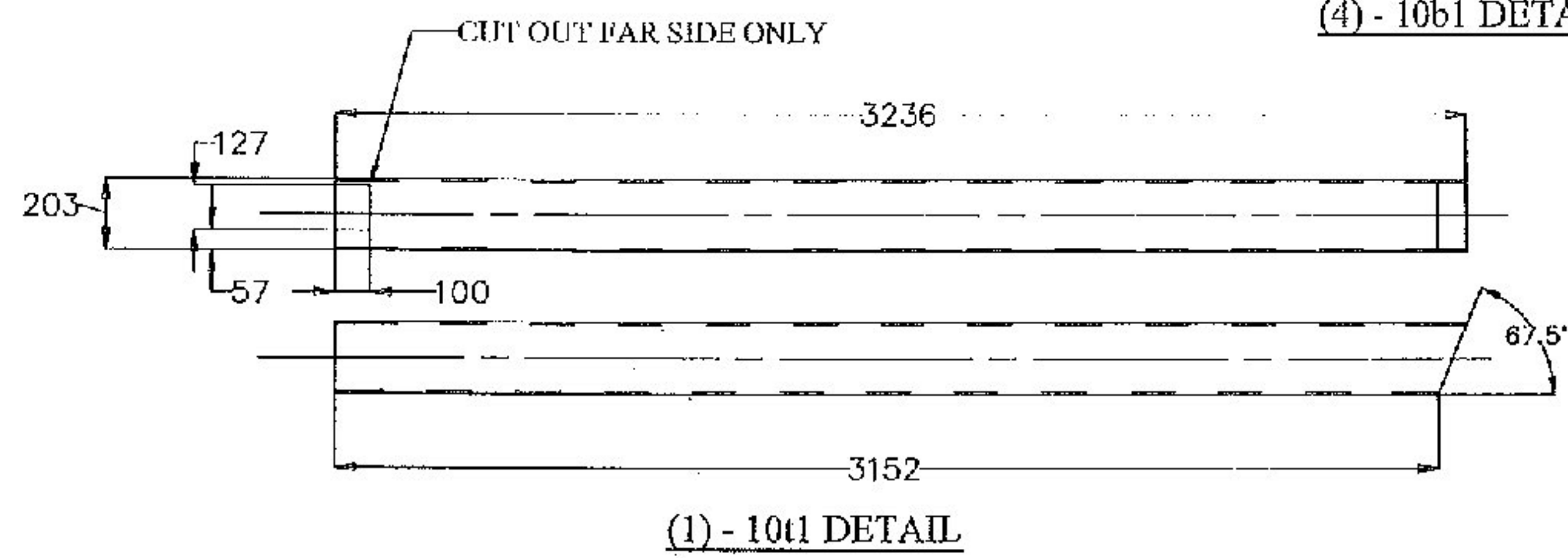


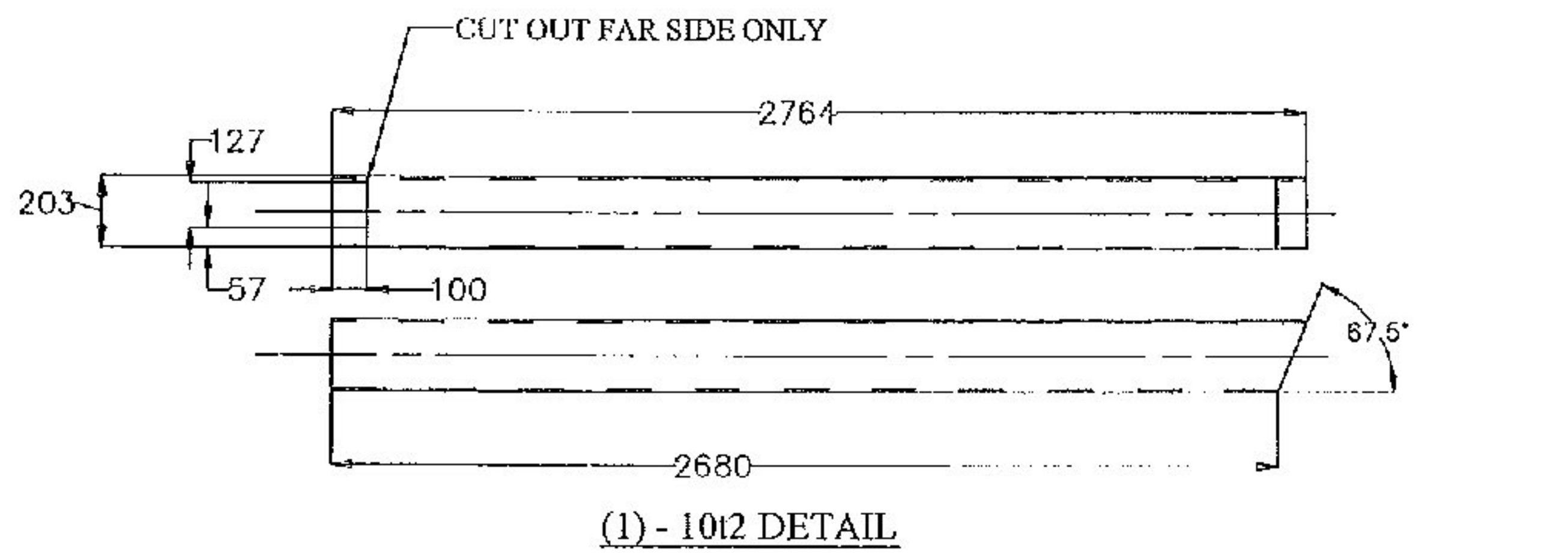
**ELEVATION VIEW**  
**(1) 10D1 - DOWNSPOUT ABUTMENT 1**  
**(1) 10D2 - DOWNSPOUT ABUTMENT 2**



**(2) - 10t3 DETAIL**  
**(4) - 10b1 DETAIL**



**(1) - 10t1 DETAIL**



**(1) - 10t2 DETAIL**

BILL OF MATERIALS				
QTY	MARK	SHAPE	LENGTH	REMARKS
1	10D1	DOWNSPOUT		
2	10b1	Bar 10 x 100 x	787	BENT
1	10t1	Tube 203 x 203 x 6	3236	
1	10t3	Tube 203 x 203 x 6	420	
4		Anchor Bolt x 19 Dia x 225 Lg with Nut & Washer		
1	10D2	DOWNSPOUT		
2	10b1	Bar 10 x 100 x	787	BENT
1	10t2	Tube 203 x 203 x 6	2764	
1	10t3	Tube 203 x 203 x 6	420	
4		Anchor Bolt x 19 Dia x 225 Lg with Nut & Washer		

- Notes
- Structural Steel Tubing shall conform to ASTM A500 Grade B.
  - All Plates, Bars, and Angles shall conform to AASHTO M 270M/M270 Grade 250.
  - All Bolts and related hardware shall conform to Section 714.04 and shall be galvanized.

DESIGNED	✓
CHECKED	
DATE	7/20/10
SIGNATURE	<i>Michael Christie</i>

REVIEW BY STANTEC IS FOR THE SOLE PURPOSE OF ASCERTAINING GENERAL CONFORMITY WITH DESIGN. CONTRACTOR IS RESPONSIBLE FOR DIMENSIONS, FABRICATION AND CONSTRUCTION METHODS, COORDINATION OF SUB-TRADES, DETAIL DESIGN OF COMPONENTS, AND ERRORS OR OMISSIONS ON SHOP DRAWINGS.

METRIC

REV. NO.	DATE	DESCRIPTION
0	7-16-2010	SUBMITTED FOR APPROVAL

HOLES AS NOTED  
 MATERIAL: AASHTO M 270M/M270 GRADE 250 GALV

DRAWING COVERS

**DOWNSPOUT -- BRIDGE 143**

PROJECT	BENNINGTON
LOCATION	US ROUTE 7 SB OVER VT ROUTE 278 NB
ENGINEER	STATE OF VERMONT AOT / STANTEC
CUSTOMER	MULLER CONSTRUCTION

**MERRIMACK SHEET METAL**

119 HALL STREET  
 CONCORD NH 03301

Tel. 603.224.7766  
 Fax 603.224.7925

DRAWN BY:	RL
CHECKED BY:	JD
JCR NO.:	#3374
DWG.:	F10