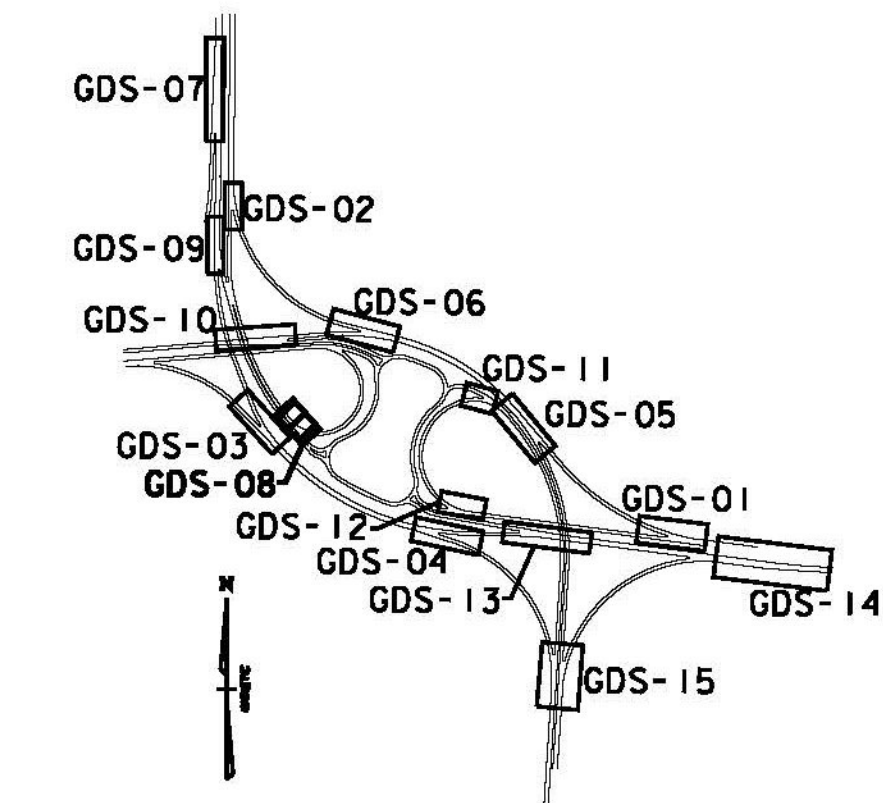
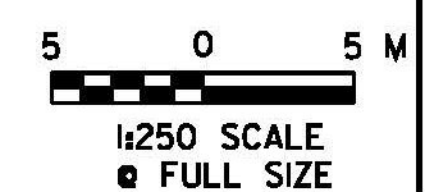


**RAMP G / RAMP R MERGE
CRITICAL CROSS SECTIONS**

N. T. S.
FOR ADDITIONAL INFORMATION
SEE CROSS SECTION SHEET:
GXS-01



KEY MAP



PROJECT NAME:	BENNINGTON
PROJECT NUMBER:	NH 019-1(54)
FILE NAME:	... \plot_files\zd307c4det.gore.ptf
DESIGN SUPERVISOR:	GREG EDWARDS
DESIGNED BY:	MARC FOISY
GORE DETAIL SHEET -	GDS-08
PLOT DATE:	1/26/2010
DRAWN BY:	STANTEC
CHECKED BY:	GARY SANTY
SHEET	37 OF 468

1/26/2010 4:46:23 PM v:\953\active\953002\transportation\gore\main\contract_4\plot_files\zd307c4det.gore.ptf