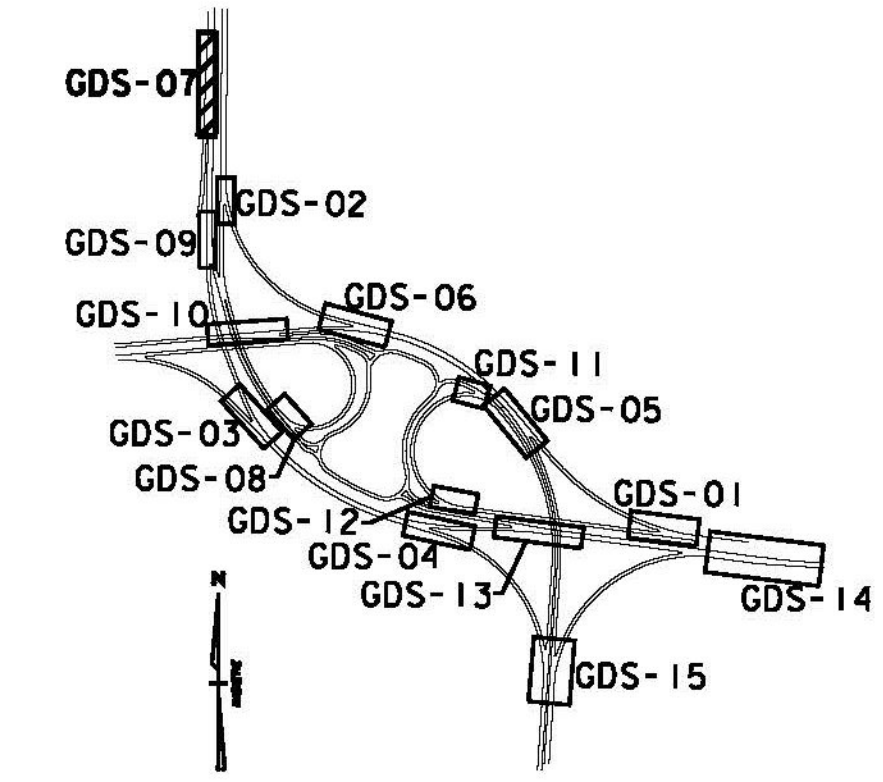
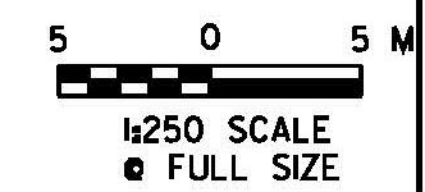


**U.S. ROUTE 7 SOUTHBOUND / RAMP I DIVERGE  
CRITICAL CROSS SECTIONS**

N. T. S.  
FOR ADDITIONAL INFORMATION  
SEE CROSS SECTION SHEETS:  
IXS-02, IXS-03, SBX-20, SBX-21, SBX-22



1/26/2010 4:46:23 PM v:\953\active\953002\transportation\gore\main\contract\4\plot\_files\z307c4det\_gore.ppt



|                     |                                    |
|---------------------|------------------------------------|
| PROJECT NAME:       | BENNINGTON                         |
| PROJECT NUMBER:     | NH 019-1(54)                       |
| FILE NAME:          | ... \plot_files\z307c4det_gore.ppt |
| DESIGN SUPERVISOR:  | GREG EDWARDS                       |
| DESIGNED BY:        | MARC FOISY                         |
| GORE DETAIL SHEET - | GDS-07                             |
| PLOT DATE:          | 1/26/2010                          |
| DRAWN BY:           | STANTEC                            |
| CHECKED BY:         | GARY SANTY                         |
| SHEET               | 36 OF 468                          |