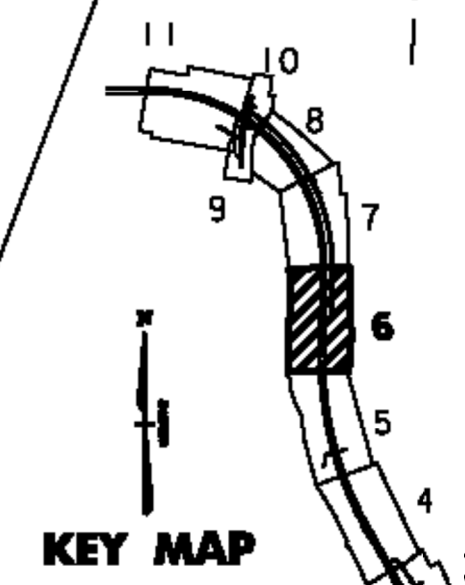




**LEGEND**

- |            |   |  |                                   |
|------------|---|--|-----------------------------------|
| AMC.O1 (9) | DECIDUOUS SHRUB GROUPING WITH PLANT TYPE AND (QUANTITY) |  | EXISTING DECIDUOUS TREE           |
| AR.O1 (3)  | DECIDUOUS TREE GROUPING WITH PLANT TYPE AND (QUANTITY)  |  | EXISTING EVERGREEN TREE           |
| AC.O1 (4)  | EVERGREEN TREE GROUPING WITH PLANT TYPE AND (QUANTITY)  |  | TOE OF SLOPE                      |
|            |   |  | LIMIT OF CUT                      |
|            |   |  | APPROXIMATE ULTIMATE TOE OF SLOPE |
|            |   |  | APPROXIMATE ULTIMATE LIMIT OF CUT |
|            |   |  | TREELINE                          |
|            |   |  | R.O.W.                            |



NOTE: THIS SHEET TO BE USED FOR LANDSCAPING INFORMATION ONLY

<b>VERMONT AGENCY OF TRANSPORTATION</b>	
PROJECT NAME: BENNINGTON - NORTH	PROJECT NUMBER: BENNINGTON AC NH 019-1(52)
FILE NAME: \DGN\zd307c2p05.p1f	PLOT DATE: 12/10/2007
DESIGN SUPERVISOR: J. BENSON	DRAWN BY: E. SMALL
DESIGNED BY: J. STEELE/C. BRODIE	CHECKED BY: J. STEELE
LANDSCAPE PLAN L-06	SHEET 145 OF

L:\R463PC\CONTRACT NO 2\DRN\zd307c2p05.p1f