

NEW DRAINAGE PIPES		
PIPE #	LOCATION	COMMENTS
500	NB 6+425.2 RT - NB 6+440.0	600 X 40.2 m PIPE OPTION 2. CONST. END SECTION AND STONE FILL TYPE II AT OUTLET (SEE SWM-3 FOR DETAILS)
500A	NB 6+440.0 RT	750 X 1.95 m RISER PIPE OPTION 2. CONST. RISER BASE + CONST. ANTI-VORTEX DEVICE (SEE SWM-3 FOR DETAILS)
503	NB 6+485.0 - NB 6+595.0 RT	900 X ^{81.0} _{110.4} m PIPE OPTION 2. CONST STONE FILL TYPE I OUTLET PROTECTION

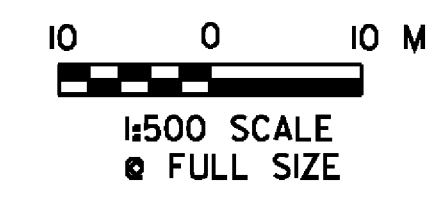
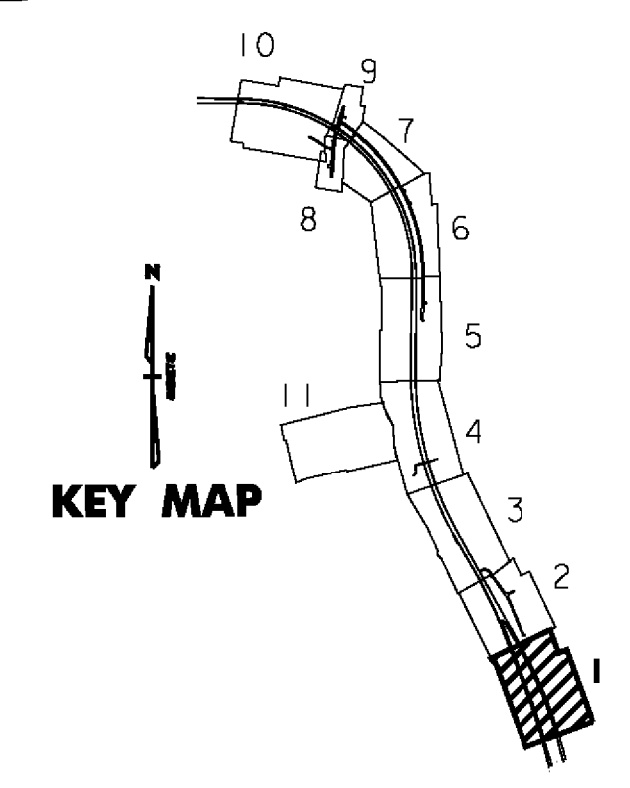
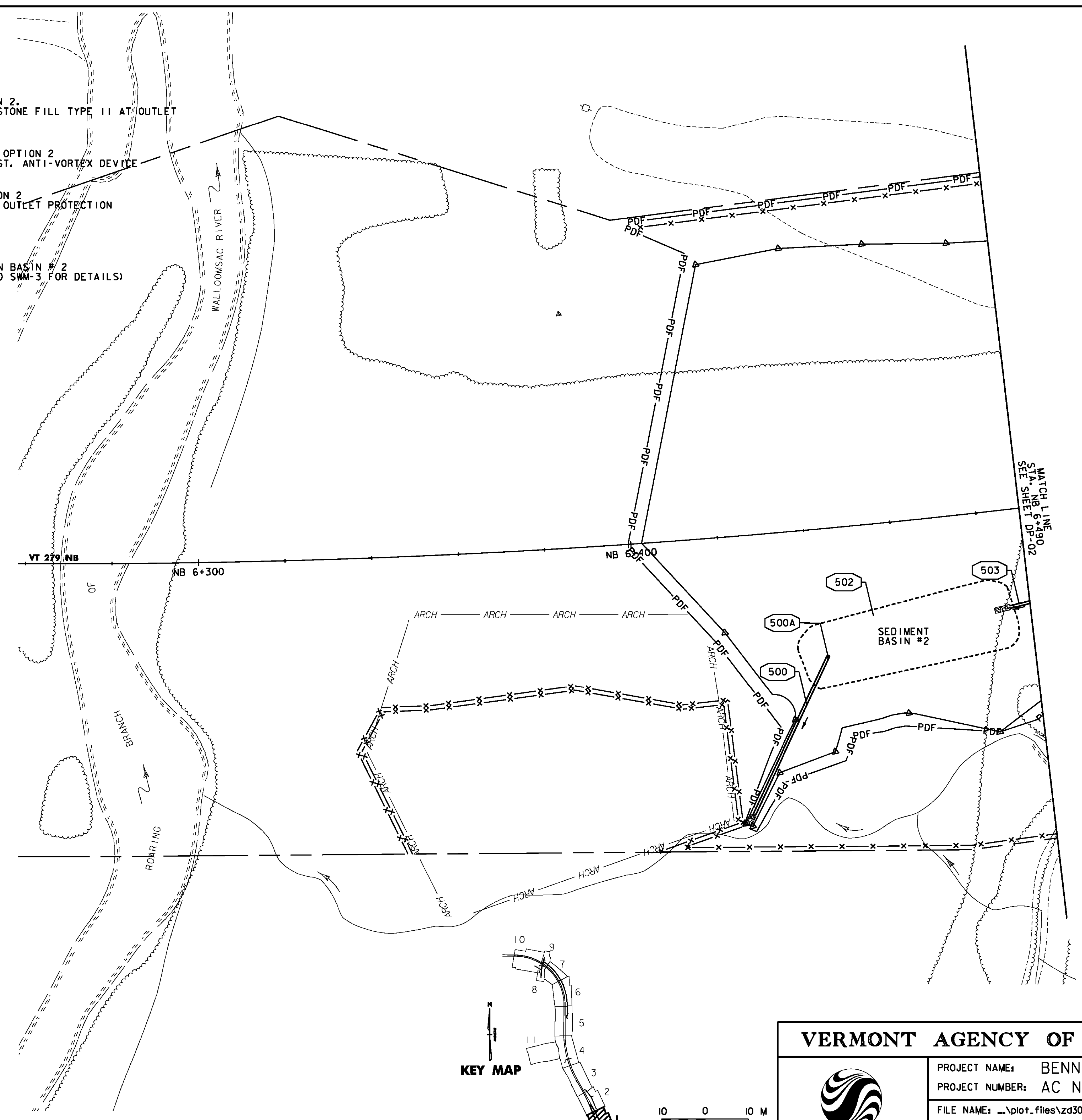
STORMWATER MANAGEMENT		
STRUCTURE #	LOCATION	COMMENTS
502	NB 6+436.3 - NB 6+485.0 RT	CONST. SEDIMENTATION BASIN # 2 (SEE SHEET SWM-2 AND SWM-3 FOR DETAILS)

- NOTES:**
- SEE STORMWATER MANAGEMENT DETAILS SWM-5 FOR DIMENSIONS AND CONSTRUCTION DETAILS OF STONE OUTLET PROTECTION.
 - SEE STORMWATER MANAGEMENT DETAILS SHEETS 2 AND 3 FOR SEDIMENTATION BASIN CONSTRUCTION DETAILS
 - SEDIMENT BASIN # 2 TO REMAIN IN PLACE AFTER COMPLETION OF THIS PROJECT.

PROPOSED STORMDRAIN PIPES WHICH CROSS MATCHLINES ARE NOTED AND IDENTIFIED WITH A PIPE NUMBER AND LEADER ON THE FIRST SHEET WHERE THE PIPE OCCURS. FOR UNDERDRAIN, THE FLUSHING BASIN OR CLEAN-OUT PORTION OF THE NOTE OCCURS ON THE APPROPRIATE SHEET. FOR CLARITY ON SUBSEQUENT SHEETS, THE PIPE IS IDENTIFIED WITH THE PIPE NUMBER AND LEADER, BUT THE PIPE NOTE IS NOT REPEATED.

LEGEND

	STORM DRAIN (SHOWING DIRECTION OF FLOW)
	UNDERDRAIN (SHOWING DIRECTION OF FLOW)
	DROP INLET (1200 x 1200)
	DROP INLET (1200 x 1800)
	PRCCDI
	CATCH BASIN
	UNDERDRAIN FLUSHING BASIN (SEE VTRANS STANDARD D-30)
	STORM DRAIN WITH HEADWALL
	STORM DRAIN WITH END SECTION
	PERMANENT STONE CHECK DAM, TYPE I



VERMONT AGENCY OF TRANSPORTATION	
	PROJECT NAME: BENNINGTON
	PROJECT NUMBER: AC NH 019-1(52)
FILE NAME: ...plot.files\zd307c2dp01.pptf	PLOT DATE: 5/16/2011
DESIGN SUPERVISOR: GREG EDWARDS	DRAWN BY: STANTEC
DESIGNED BY: MARC FOISY	CHECKED BY: GARY SANTY
DRAINAGE PLAN DP-01	SHEET 81 OF 267

V:\1953\active\19530002\transportation\drainage\conform\act-2\plot-1.files\zd307c2dp01.pptf