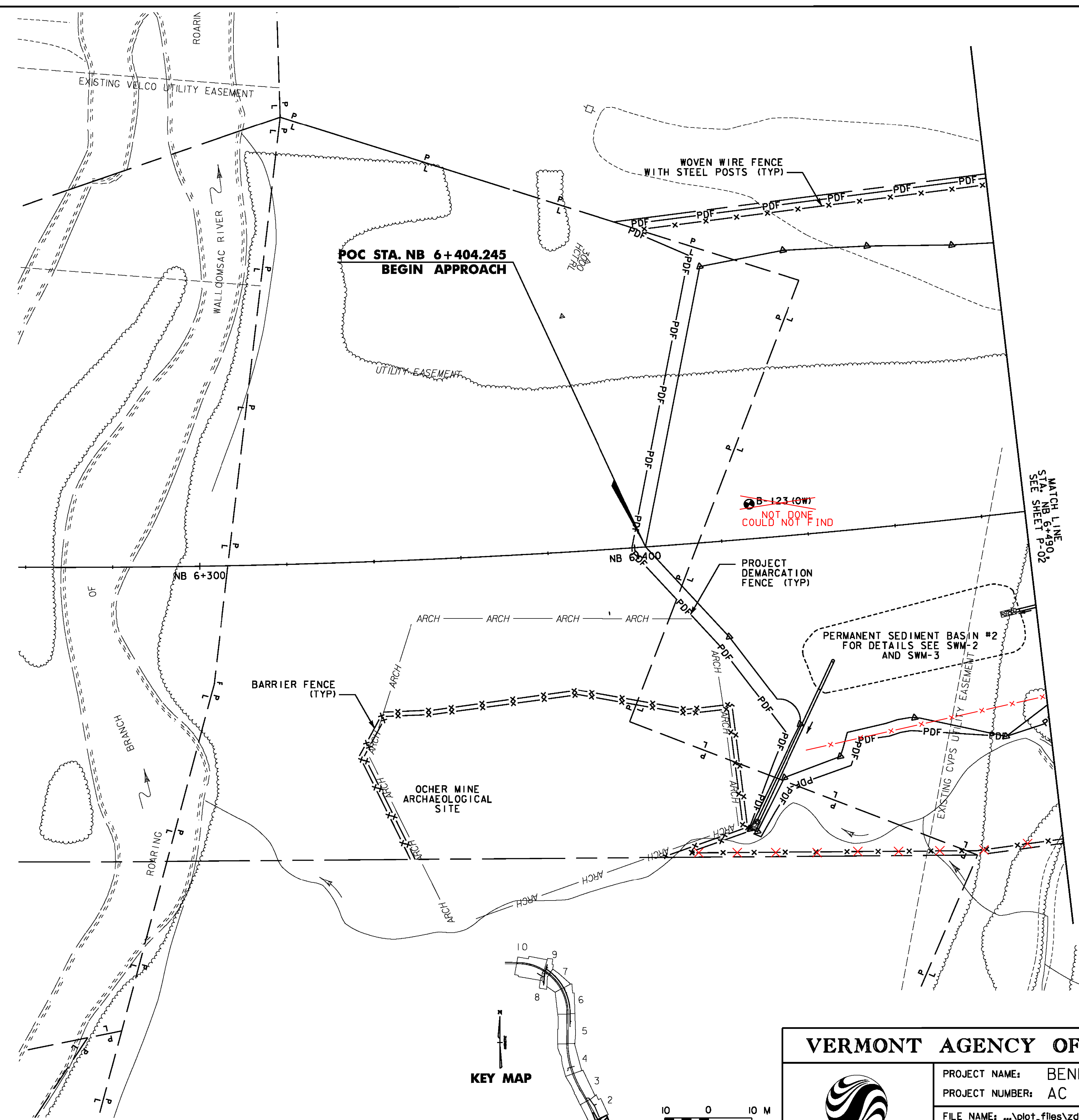


WOVEN WIRE FENCE WITH STEEL POSTS
 STA. NB 6+404.245, 74.2m LT. - STA. NB 6+490.000, 77.1m LT.
 STA. NB 6+401.855, 71.8m RT. - STA. NB 6+490.000, 75.7m RT.
 434 50m 497 42m

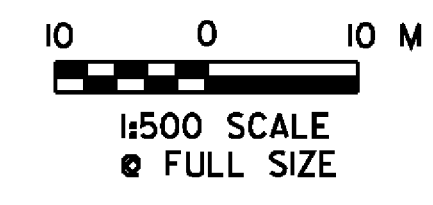
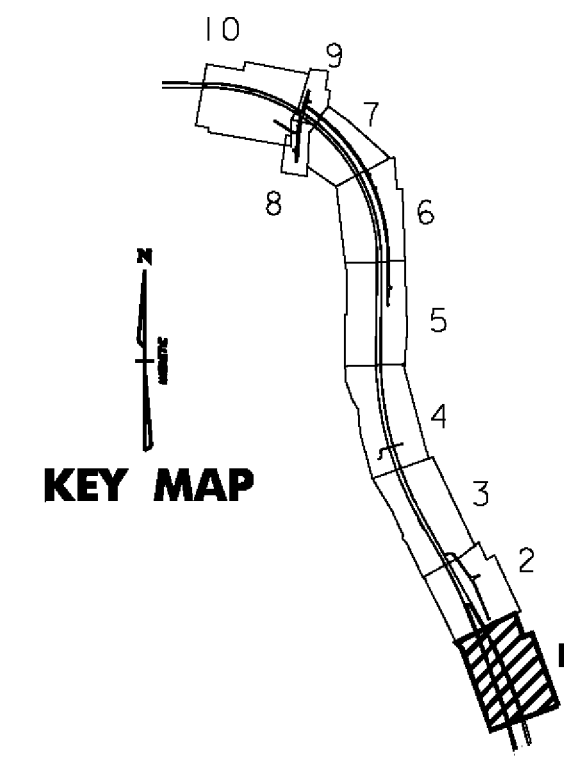
PROJECT DEMARCATION FENCE
 STA. NB 6+404.245, 74.2m LT. - STA. NB 6+399.368, C.
 STA. NB 6+399.368 C. - STA. NB 6+420.731, 67.0m RT.
 STA. NB 6+420.731, 67.0m RT. - STA. NB 6+490.000, 48.2m RT.
 STA. NB 6+406.539, 72.8m LT. - STA. NB 6+490.000, 75.6m LT.

BARRIER FENCE
 STA. NB 6+340.791, 34.7m RT. - STA. NB 6+345.598, 68.7m RT.
 STA. NB 6+340.791, 34.7m RT. - STA. NB 6+419.385, 37.5m RT.
 STA. NB 6+401.855, 71.8m RT. - STA. NB 6+419.385, 37.5m RT.

~~SPECIAL PROVISION (DECOMMISSION OBSERVATION WELL)~~
 STA. NB 6+427.000, 8.0 m LT (B-123)
 NOT DONE
 COULD NOT FIND



LEGEND	
PDF — PDF —	PROJECT DEMARCATION FENCE
X — X — X —	BARRIER FENCE
x — x — x —	CHAIN-LINK FENCE
x — x — x —	RIGHT OF WAY FENCE
W — W — W —	WETLAND BOUNDARY
ARCH — ARCH	ARCHAEOLOGICAL SITE
W — W — W —	WATER BOUNDARY
P — L —	PROPERTY LINE



VERMONT AGENCY OF TRANSPORTATION



PROJECT NAME: BENNINGTON
 PROJECT NUMBER: AC NH 019-1(52)
 FILE NAME: ...plot.files\zd307c2p0lptf
 DESIGN SUPERVISOR: GREG EDWARDS
 DESIGNED BY: MARC FOISY
 GENERAL PLAN P-01

PLOT DATE: 5/16/2011
 DRAWN BY: STANTEC
 CHECKED BY: GARY SANTY
 SHEET 71 OF 267

V:\1953\active\19530102\1\transportation\drawing\conform\act1_2\plot_files\zd307c2p0lptf