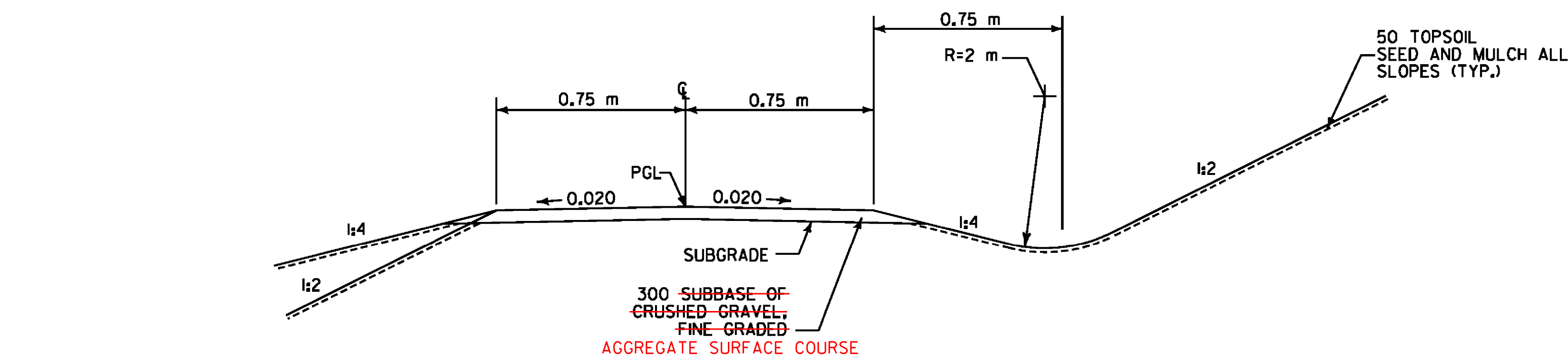


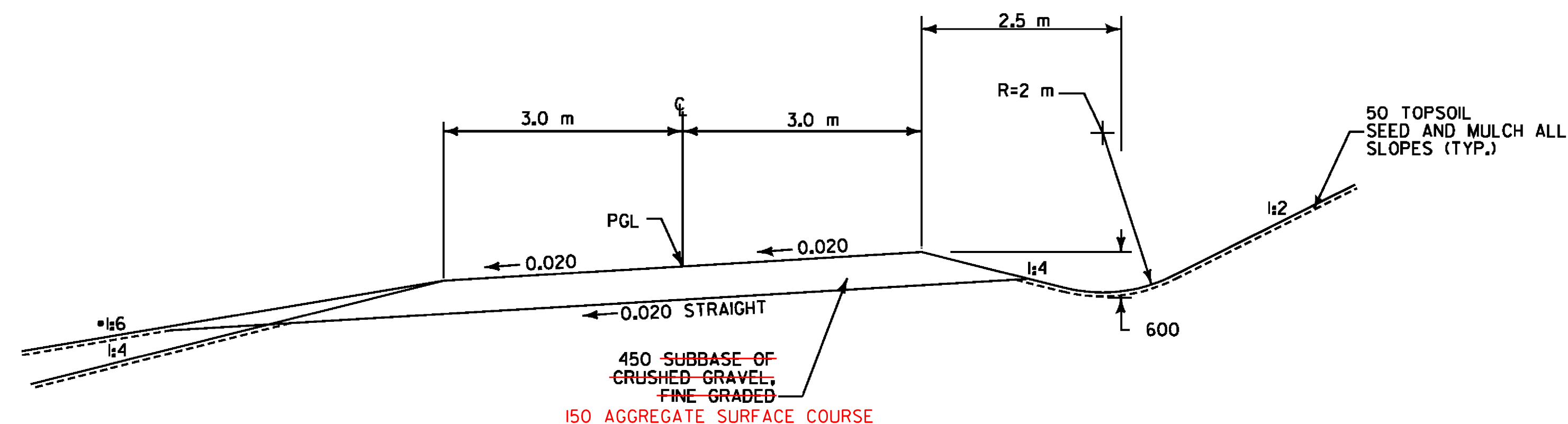
**TYPICAL SECTION  
BALD MOUNTAIN TRAIL  
QUARRY DRIVE  
VETERAN'S RESERVOIR DRIVE**

**NOTES:**

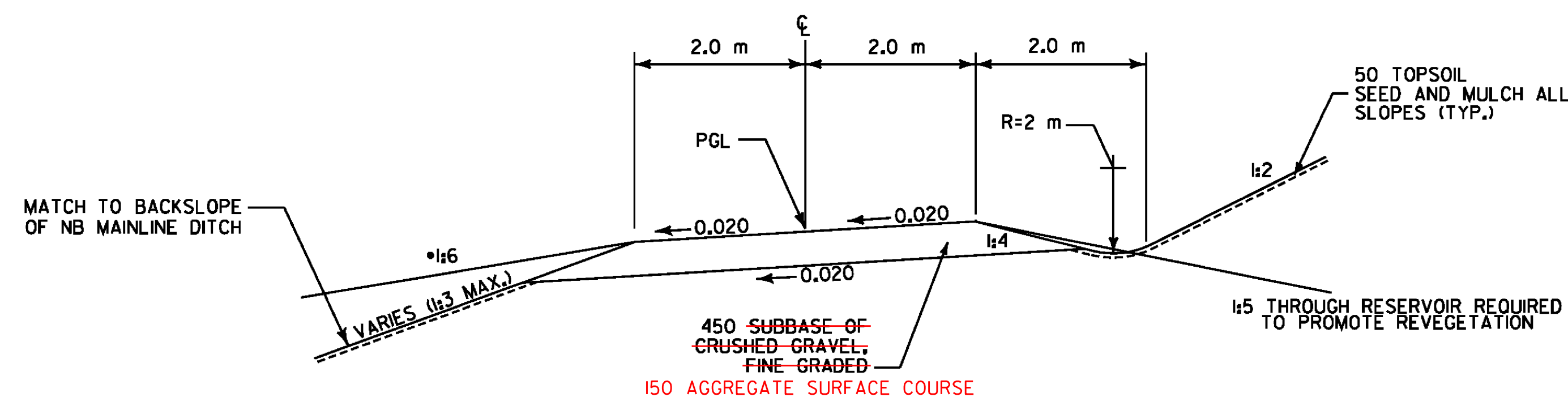
1. FOR SLOPES IN SOLID ROCK EXCAVATION AND DRILLING AND BLASTING OF SOLID ROCK SUBGRADE, SEE VTrans STD. SHEET A-60 AND A-62 AND DETAILS
2. REFER TO TYPICAL SECTION SHEET, TS-06 FOR SEEDING FORMULA AND ADDITIONAL GENERAL NOTES.



**BALD MOUNTAIN TRAIL**  
NOT TO SCALE



**QUARRY DRIVE**  
NOT TO SCALE



**VETERAN'S RESERVOIR ACCESS DRIVE AND  
RELOCATED CVPS DRIVE**  
NOT TO SCALE

NOTE: ALL DIMENSIONS ARE IN MILLIMETERS (mm) EXCEPT WHERE NOTED.

**VERMONT AGENCY OF TRANSPORTATION**



PROJECT NAME: BENNINGTON  
PROJECT NUMBER: AC NH 019-1(52)

FILE NAME: ...\\plot\_files\zd307c2typ.pxf  
DESIGN SUPERVISOR: GREG EDWARDS  
DESIGNED BY: MARC FOISY  
TYPICAL TS-03

PLOT DATE: 5/16/2011  
DRAWN BY: STANTEC  
CHECKED BY: GARY SANTY  
SHEET 5 OF 267

PGL=PROFILE GRADE LINE