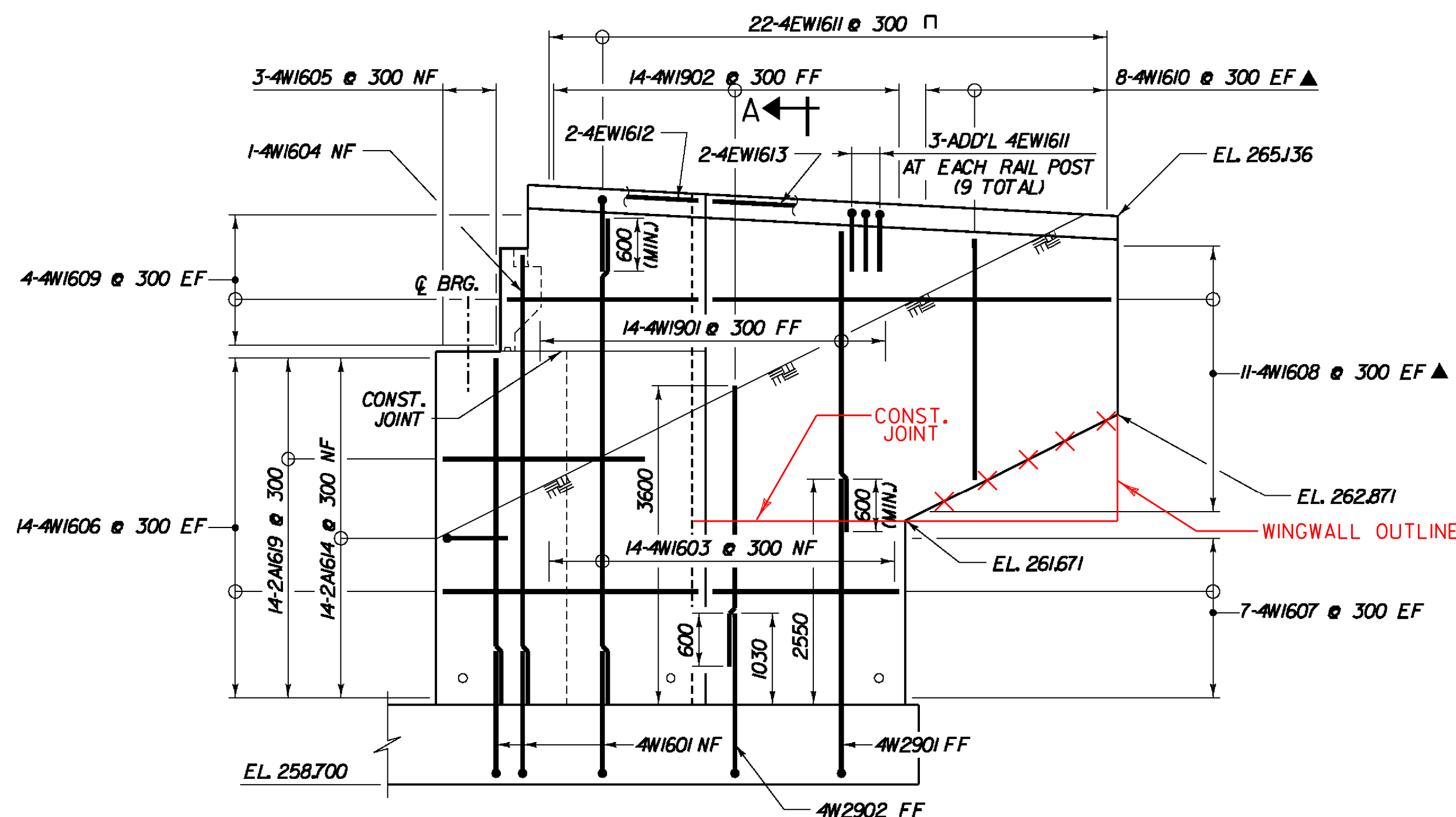
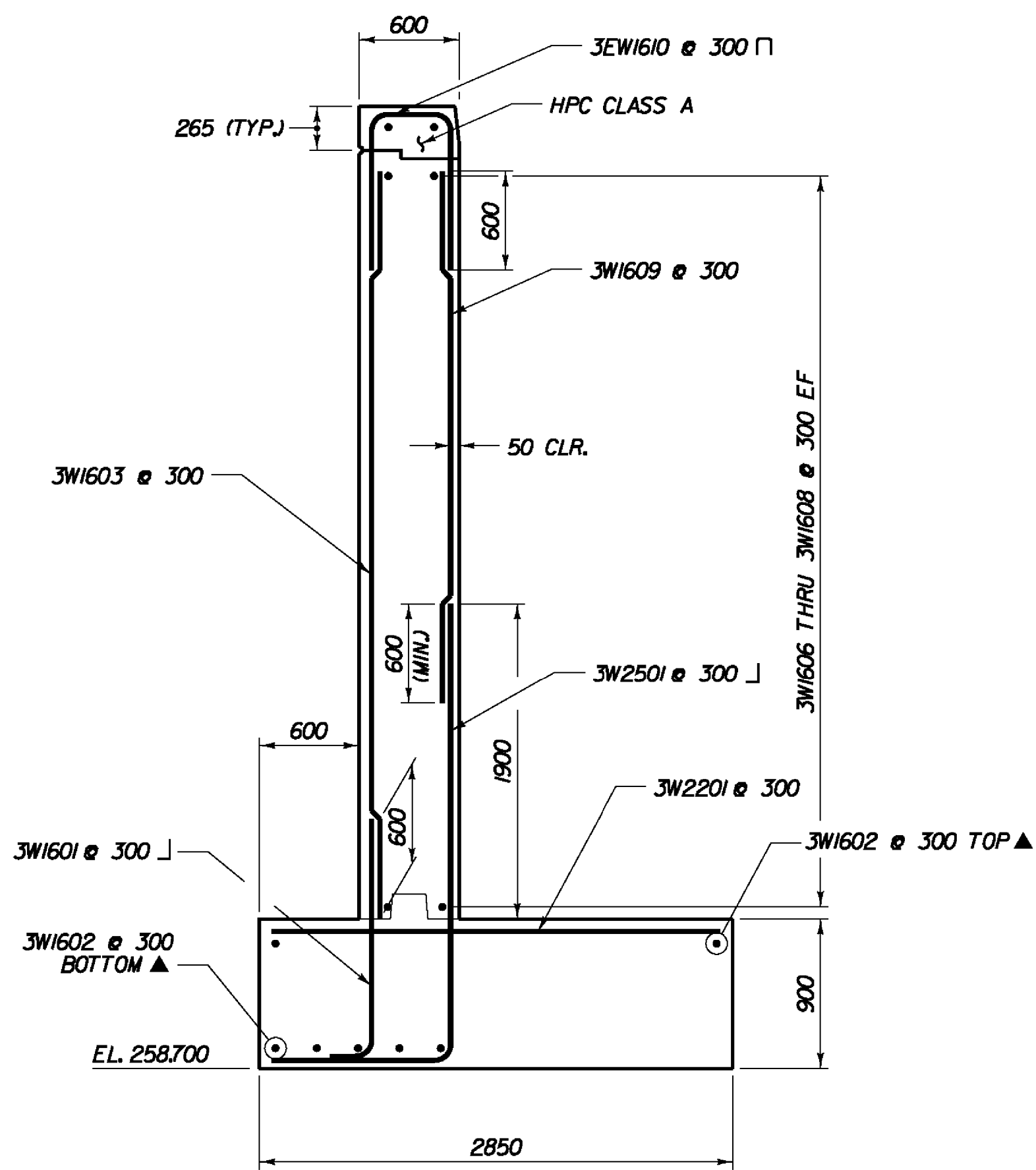


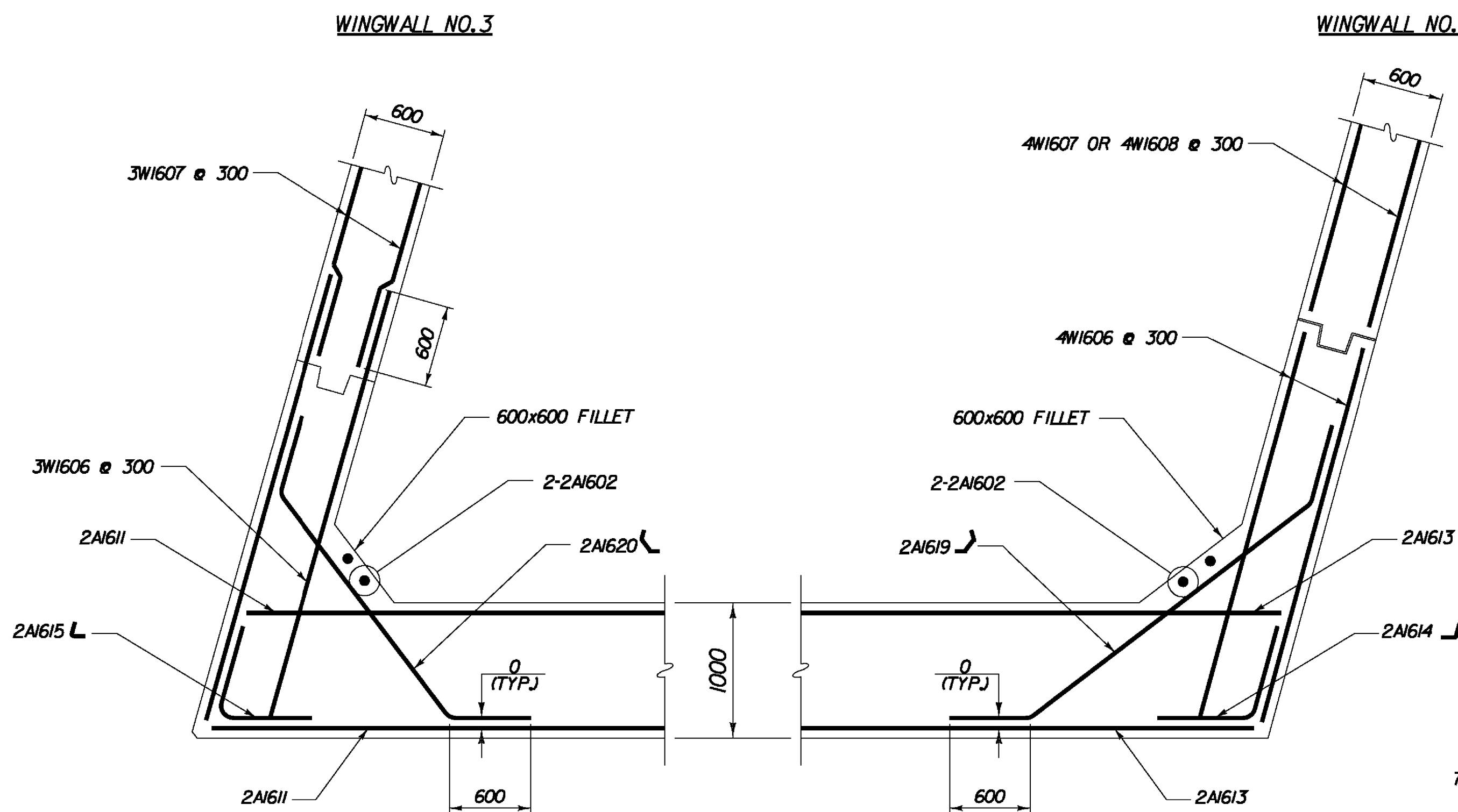
WINGWALL No. 3
SCALE 1:50



WINGWALL No. 4
SCALE 1:50



SECTION B-B
SCALE 1:30



ABUTMENT 2 - CORNER REINFORCEMENT
(BELOW BEAM SEAT)
SCALE 1:30

NOTE:
NF - NEAR FACE
FF - FAR FACE
EF - EACH FACE
▲ - CUT TO FIT IN FIELD
75 CLR. UNLESS OTHERWISE SPECIFIED ON THE PLANS.

NOTE:
FOR SECTION A-A SEE BRIDGE SHEET BR425

STATE OF VERMONT AGENCY OF TRANSPORTATION			
Town Of	BENNINGTON	Bridge No.	
Highway No.		Log Sta.	
		Surv. Sta.	
VT ROUTE 279 OVER CHAPEL ROAD			
ABUTMENT 2 WINGWALL DETAILS			
Designed By	T. KNIGHT	Drawn By	J. SOTER
Checked By	Date	Bridge Design Supervisor	
G. BOGUE	05/06	G. BOGUE	Date 12/05
PROJECT	BENNINGTON	PROJECT NO.	AC NH 019-I(52)
Dgn.:	...des\gn\ch\CH-Abut2w.dgn	Plot Date:	5/18/2011
Bridge Sheet No.	BR428	Sheet	188 of 267

