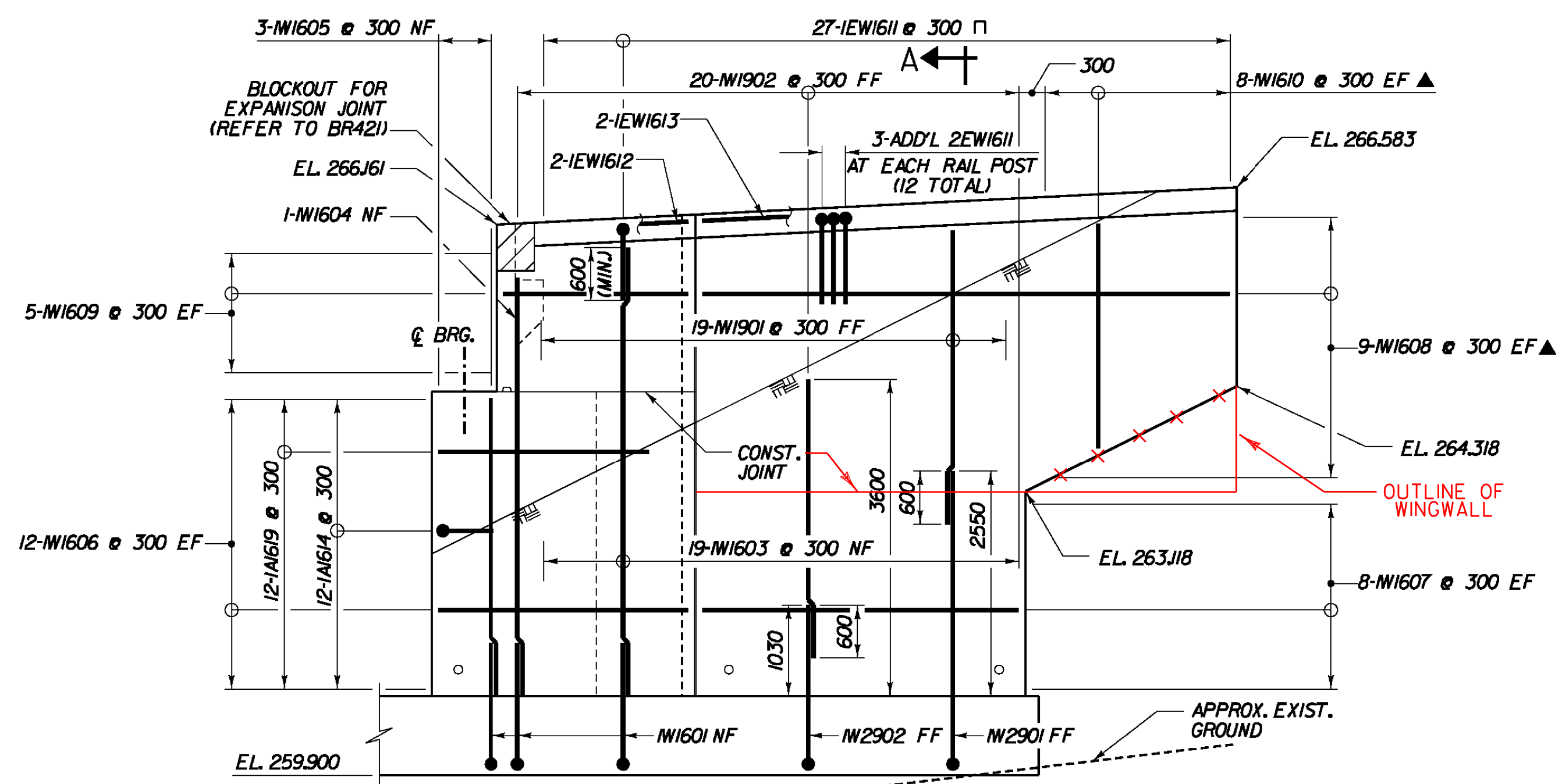
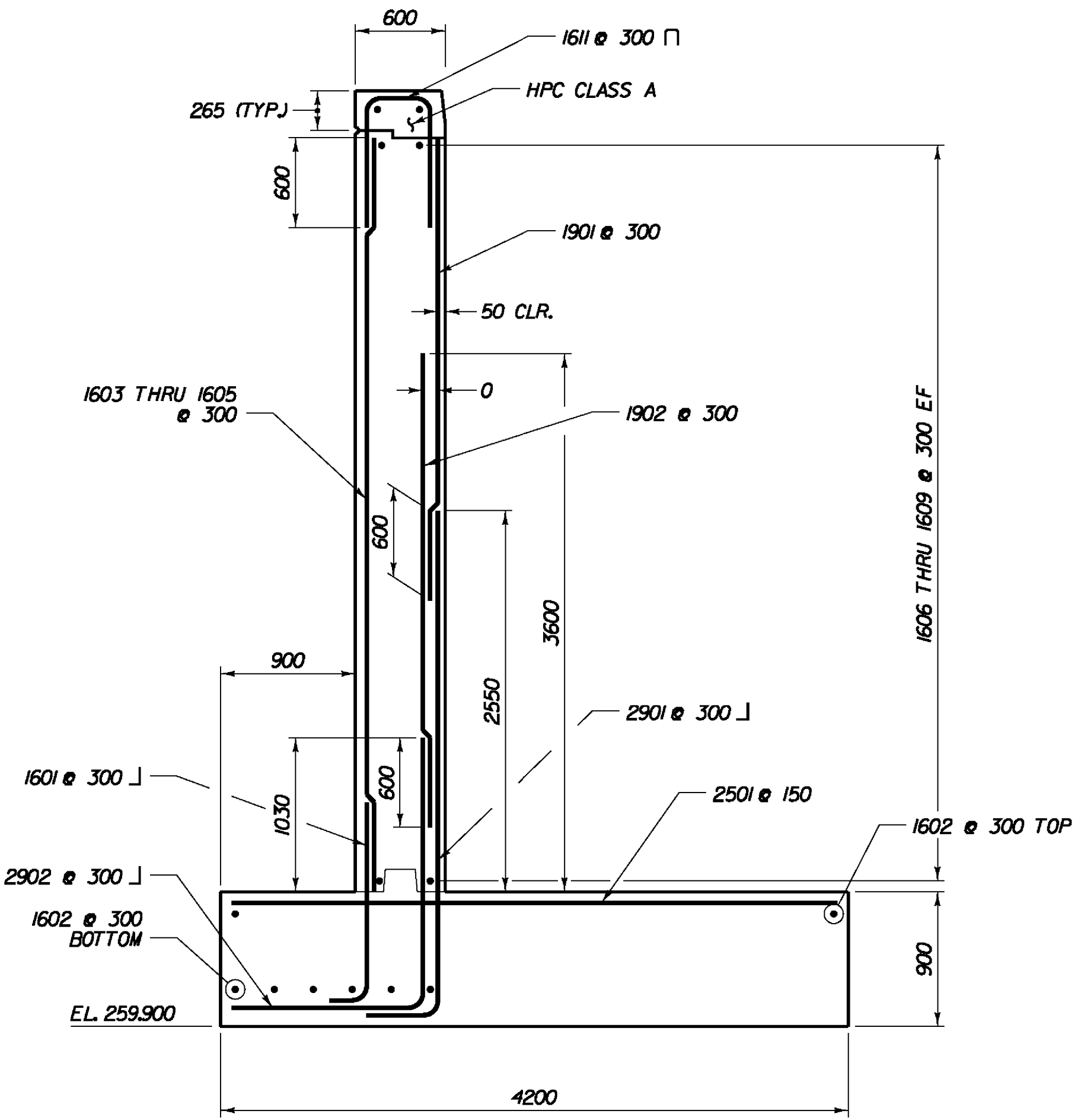


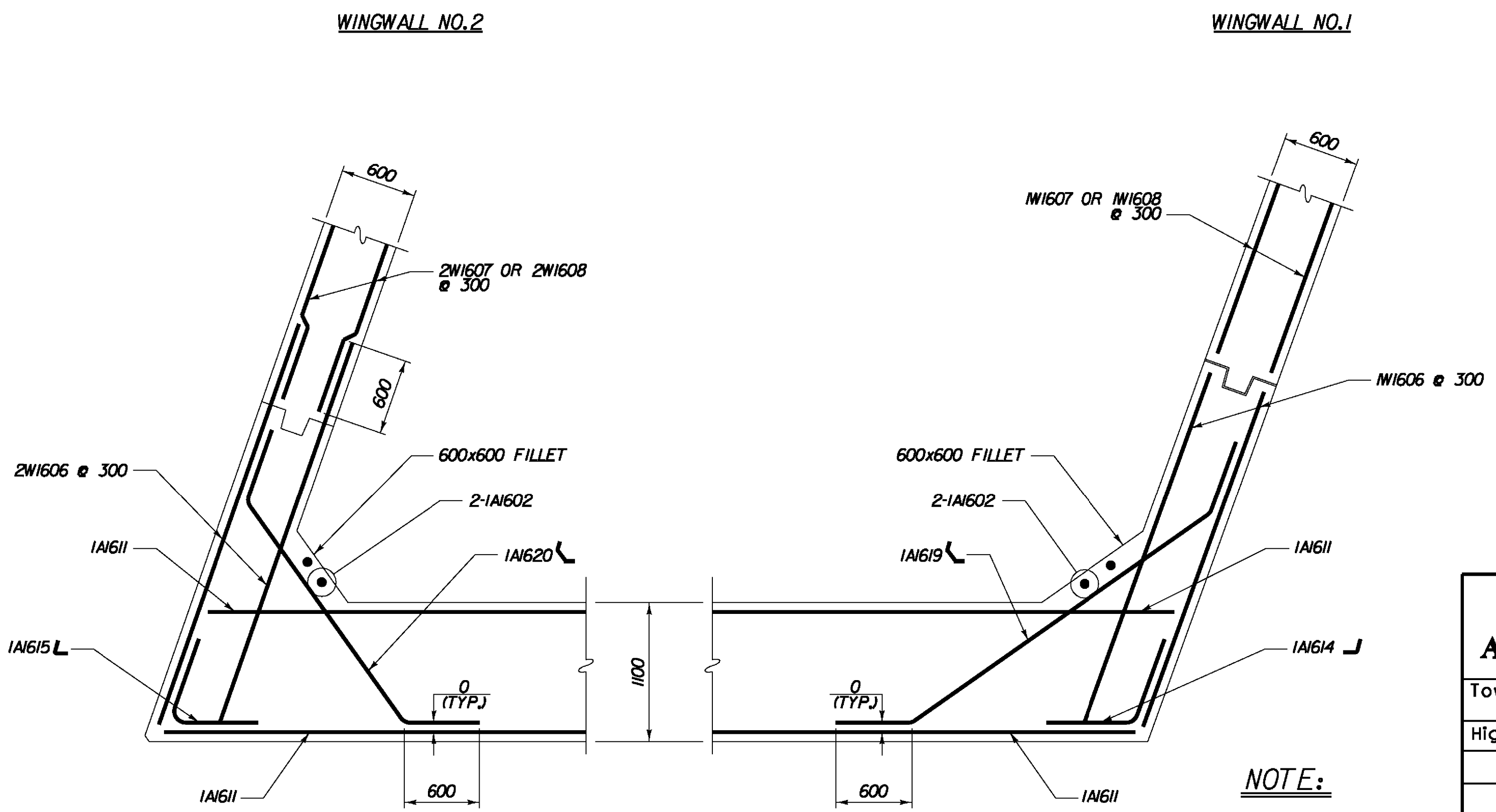
WINGWALL No. 2 ELEVATION
 SCALE 1:50



WINGWALL No. 1 ELEVATION
 SCALE 1:50



SECTION A-A
 SCALE 1:30



ABUTMENT 1 - CORNER REINFORCEMENT
 (BELOW BEAM SEAT)
 SCALE 1:30

NOTE:
 NF - NEAR FACE
 FF - FAR FACE
 EF - EACH FACE
 ▲ - CUT TO FIT IN FIELD
 75 CLR. UNLESS OTHERWISE SPECIFIED ON THE PLANS.

**STATE OF VERMONT
 AGENCY OF TRANSPORTATION**

| | | | |
|-------------|------------|------------|--|
| Town Of | BENNINGTON | Bridge No. | |
| Highway No. | | Log Sta. | |
| | | Surv. Sta. | |

**VT ROUTE 279 OVER CHAPEL ROAD
 ABUTMENT 1 WINGWALL DETAILS**

| | | | |
|-------------|-----------|--------------------------|----------|
| Designed By | T. KNIGHT | Drawn By | J. SOTER |
| Checked By | G. BOGUE | Date | 11/06 |
| | | Bridge Design Supervisor | G. BOGUE |
| | | Date | 12/05 |

| | | | |
|---------|----------------------------|-------------|-----------------|
| PROJECT | BENNINGTON | PROJECT NO. | AC NH 019-I(52) |
| Dgn.: | ...design\ch\CH-Abut1w.dgn | Plot Date: | 5/18/2011 |

V:\9533\active\195310002\Transportation\Structural\Design\ch\Abut1w.dgn