

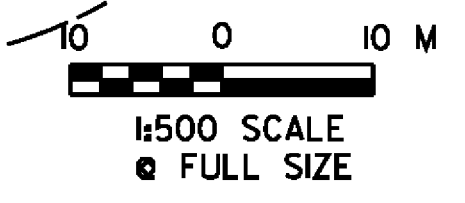
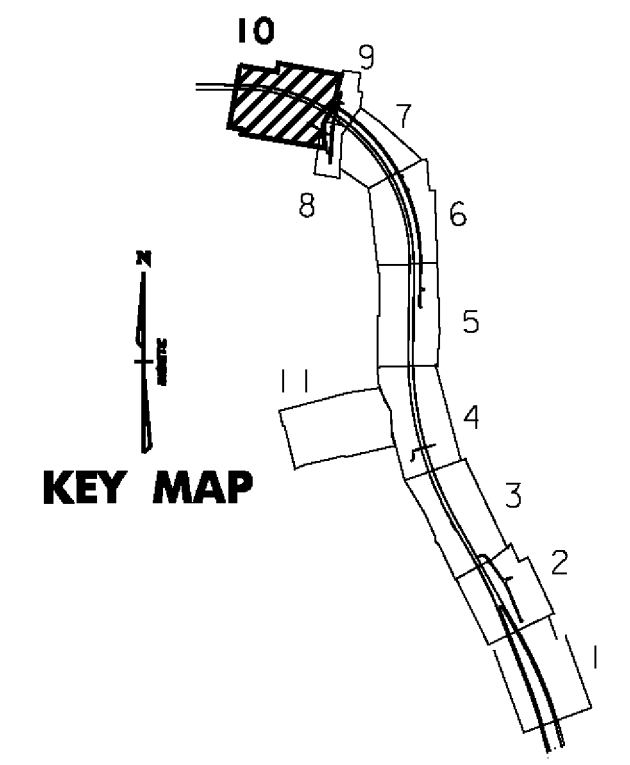
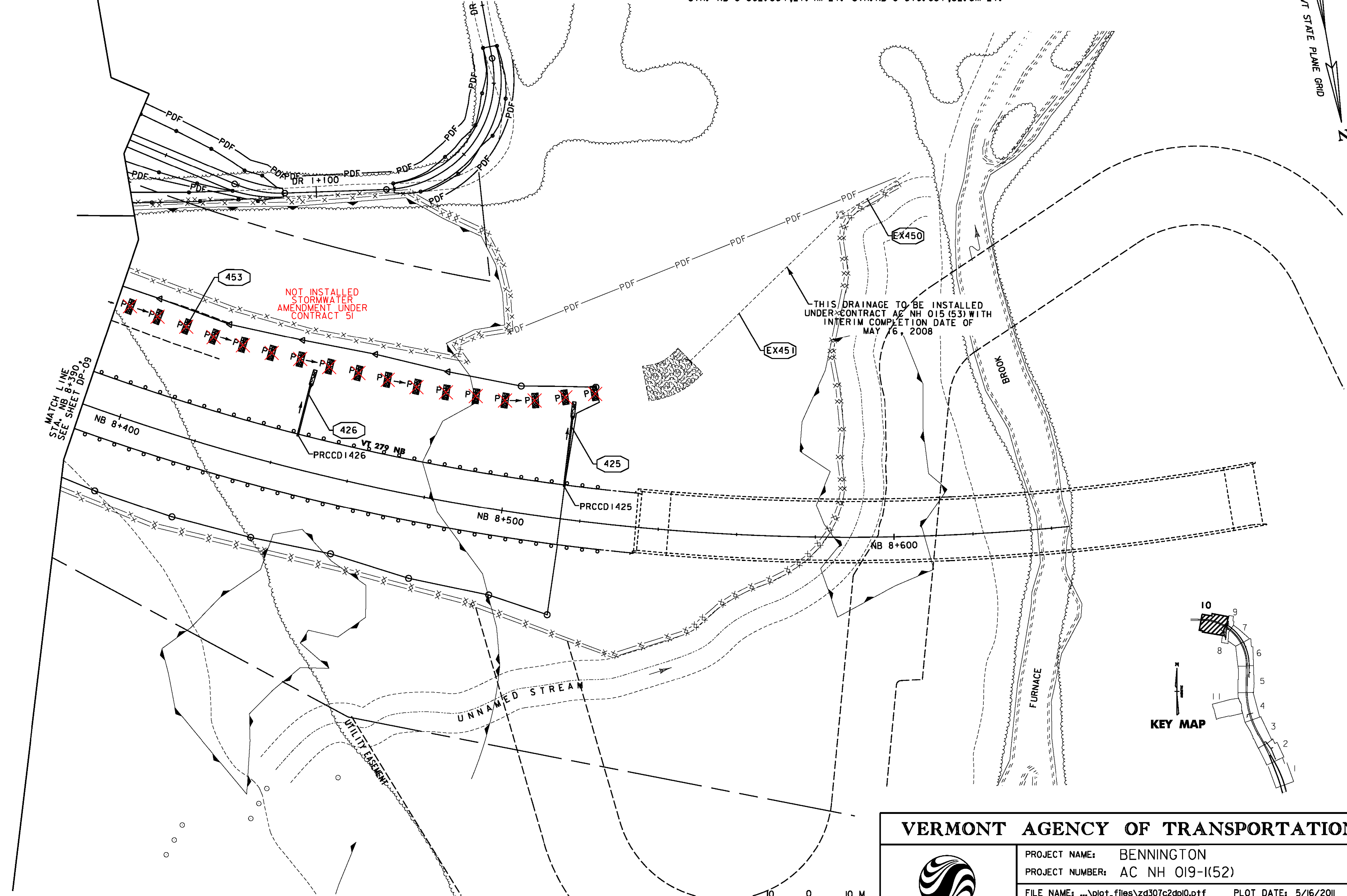
NEW DRAINAGE STRUCTURES		
STRUCTURE #	LOCATION	COMMENTS
PRCCD1425	NB 8+515.0 LT	PRCCD1
PRCCD1426	NB 8+445.0 LT	PRCCD1

NOTES:
 1. SEE EROSION PREVENTION AND SEDIMENT CONTROL DETAIL SHEETS FOR DIMENSIONS AND CONSTRUCTION DETAILS OF STONE OUTLET PROTECTION.

NEW DRAINAGE PIPES		
PIPE #	LOCATION	COMMENTS
425	NB 8+515.0 LT	300 X 25.2 m OPTION 2 SLOPE DRAIN CONST. 600mm PIPE COUPLING BANDS CONST. END SECTION AT OUTLET CONST. STONE FILL TYPE II AT OUTLET
426	NB 8+445.0 LT	300 X 15.0 m OPTION 2 SLOPE DRAIN CONST. 600mm PIPE COUPLING BANDS CONST. END SECTION AT OUTLET CONST. STONE FILL TYPE II AT OUTLET

EXISTING DRAINAGE PIPES		
PIPE #	LOCATION	COMMENTS
EX450	NB 8+544.9 LT - NB 8+586.0 LT	RETAIN EXISTING DRAINAGE PIPE AND HEADWALL CONSTRUCTED UNDER AC NH 015 (53)
EX451	NB 8+586.0 LT - NB 8+606.9 LT	RETAIN EXISTING DRAINAGE PIPE AND INLET CONSTRUCTED UNDER AC NH 015 (53)

~~PERMANENT STONE CHECK DAMS, TYPE I~~
~~STA. NB 8+392.354+27.4m LT. STA. NB 8+519.031+32.5m LT.~~



VERMONT AGENCY OF TRANSPORTATION



PROJECT NAME:	BENNINGTON	FILE NAME:	...plot_files\zd307c2dp10.ppf	PLOT DATE:	5/16/2011
PROJECT NUMBER:	AC NH 019-1(52)	DESIGN SUPERVISOR:	GREG EDWARDS	DRAWN BY:	STANTEC
		DESIGNED BY:	MARC FOISY	CHECKED BY:	GARY SANTY
		DRAINAGE PLAN DP-10		SHEET	90 OF 267

V:\953\active\9530002\transportation\drainage\conttr\contf_2\plot_files\zd307c2dp10.ppf