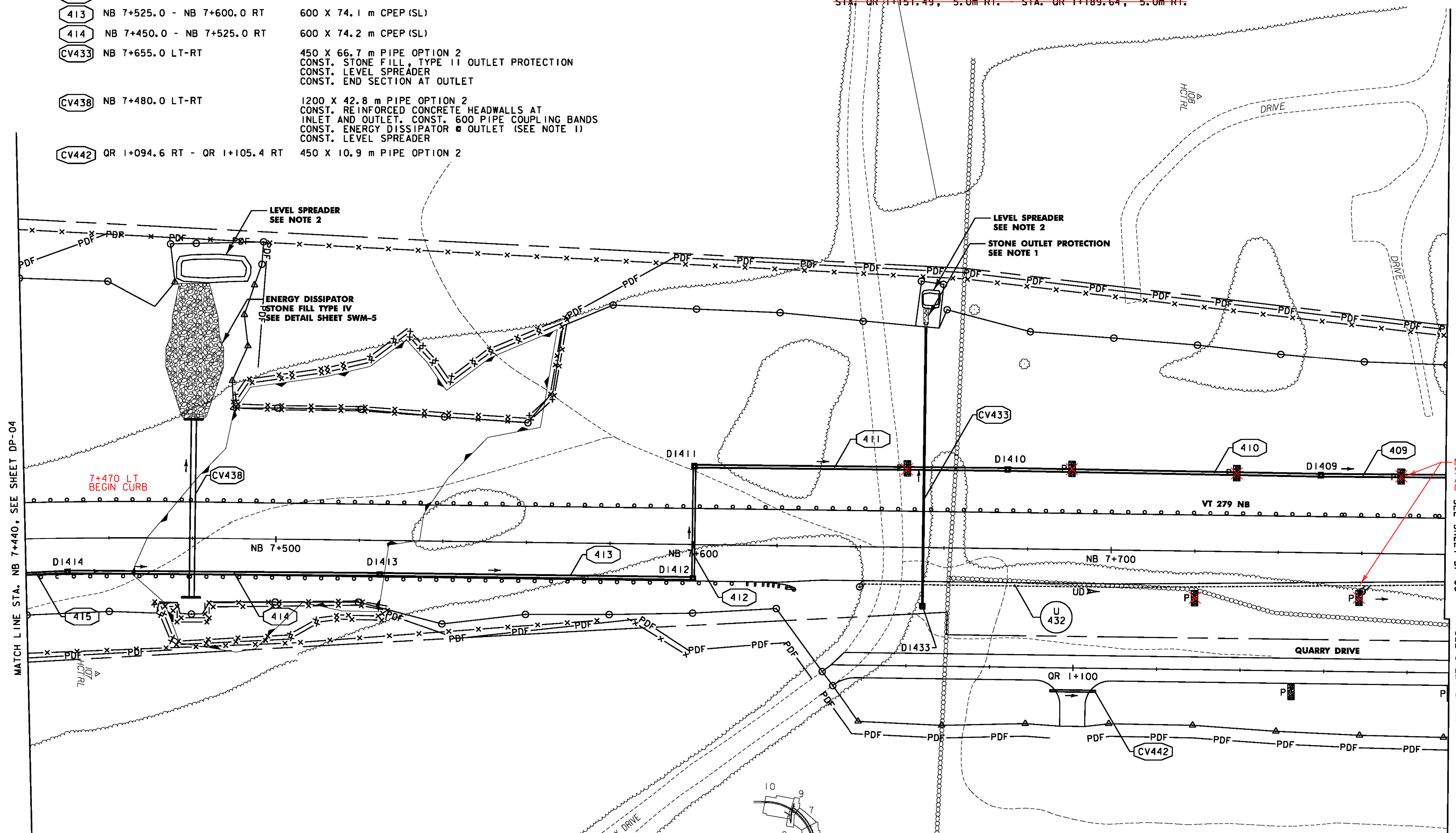


NEW DRAINAGE PIPES			NEW DRAINAGE STRUCTURES		
PIPE #	LOCATION	COMMENTS	STRUCTURE #	LOCATION	COMMENTS
409	NB 7+750.0 - NB 7+825.0 LT	600 X 73.0 m PIPE OPTION 1	D1409	NB 7+750.0 LT	TYPE A GRATE
410	NB 7+675.0 - NB 7+750.0 LT	600 X 74.4 m PIPE OPTION 1	D1410	NB 7+675.0 LT	TYPE A GRATE
411	NB 7+600.0 - NB 7+675.0 LT	600 X 74.4 m PIPE OPTION 1	D1411	NB 7+600.0 LT	TYPE A GRATE
412	NB 7+600.0 LT-RT	600 X 26.0 m CPEP (SL)	D1412	NB 7+600.0 RT	TYPE A GRATE
413	NB 7+525.0 - NB 7+600.0 RT	600 X 74.1 m CPEP (SL)	D1413	NB 7+525.0 RT	TYPE A GRATE
414	NB 7+450.0 - NB 7+525.0 RT	600 X 74.2 m CPEP (SL)	D1414	NB 7+450.0 RT	TYPE A GRATE
CV433	NB 7+655.0 LT-RT	450 X 66.7 m PIPE OPTION 2 CONST. STONE FILL, TYPE II OUTLET PROTECTION CONST. LEVEL SPREADER CONST. END SECTION AT OUTLET	D1433	NB 7+655.0 RT	TYPE A GRATE
CV438	NB 7+480.0 LT-RT	1200 X 42.8 m PIPE OPTION 2 CONST. REINFORCED CONCRETE HEADWALLS AT INLET AND OUTLET, CONST. 600 PIPE COUPLING BANDS CONST. ENERGY DISSIPATOR @ OUTLET (SEE NOTE 1) CONST. LEVEL SPREADER			
CV442	QR 1+094.6 RT - QR 1+105.4 RT	450 X 10.9 m PIPE OPTION 2			

UNDERDRAIN
 U 432 CONST. @ NB 7+640.0 - NB 7+850. RT.
 NEW 150 mm x 206.9 m UND. W/FLUSHING BASINS
 @ NB 7+640.0, RT., NB 7+760. RT.

PERMANENT STONE CHECK DAMS, TYPE I
 STA. NB 7+650.26, 17.1m LT. STA. NB 7+770.00, 16.7m LT.
 STA. NB 7+719.32, 11.2m RT. STA. NB 7+758.71, 10.7m RT.
 STA. QR 1+151.49, 5.0m RT. STA. QR 1+189.64, 5.0m RT.



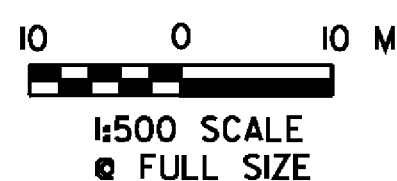
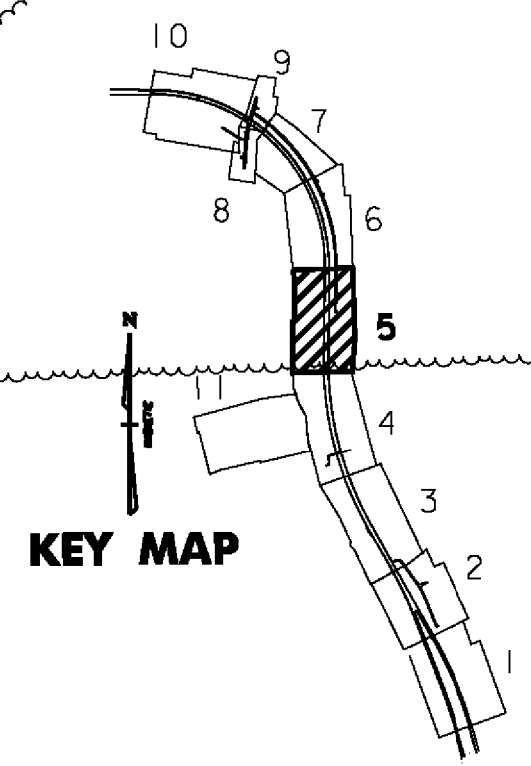
NOT INSTALLED
 STORMWATER
 AMENDMENT UNDER
 CONTRACT 51

MATCH LINE STA. NB 7+440, SEE SHEET DP-04

MATCH LINE
 STA. NB 7+780,
 SEE SHEET DP-06

MATCH LINE
 STA. QR 1+190,
 SEE SHEET DP-06

- NOTES:
- SEE STORMWATER MANAGEMENT DETAILS SHEET SWM-5 FOR DIMENSIONS AND CONSTRUCTION DETAILS OF STONE OUTLET PROTECTION AND ENERGY DISSIPATOR.
 - SEE STORMWATER MANAGEMENT DETAILS SHEET SWM-1 FOR DIMENSIONS AND CONSTRUCTION DETAILS OF LEVEL SPREADERS. EARTHWORK FOR LEVEL SPREADERS SHALL BE PAID FOR UNDER ITEM 204.20 (TRENCH EXCAVATION).



VERMONT AGENCY OF TRANSPORTATION



PROJECT NAME: BENNINGTON
 PROJECT NUMBER: AC NH 019-1(52)
 FILE NAME: ...plot.files\zd307c2dp05.ppf PLOT DATE: 5/16/2011
 DESIGN SUPERVISOR: GREG EDWARDS DRAWN BY: STANTEC
 DESIGNED BY: MARC FOISY CHECKED BY: GARY SANTY
 DRAINAGE PLAN DP-05 SHEET 85 OF 267

V:\953\loc\tiv\9530002\transportation\drainage\conttr\contf_2\plot_files\zd307c2dp05.ppf