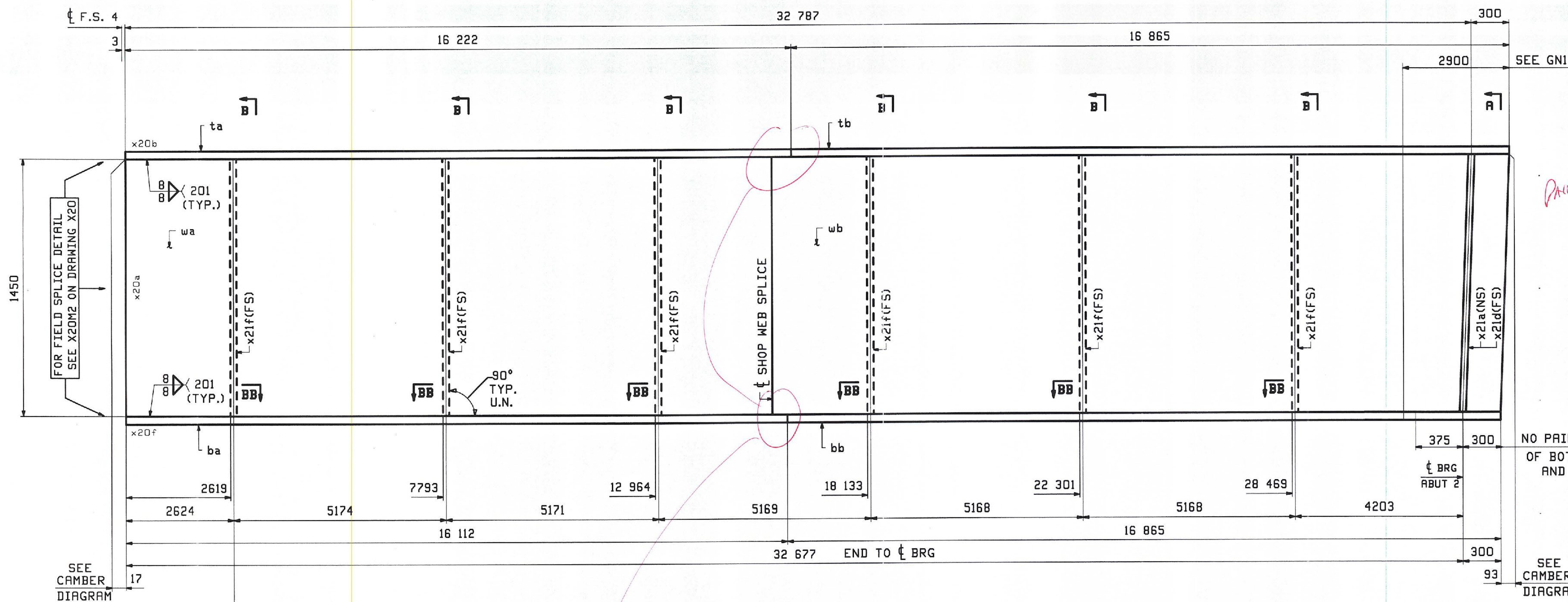


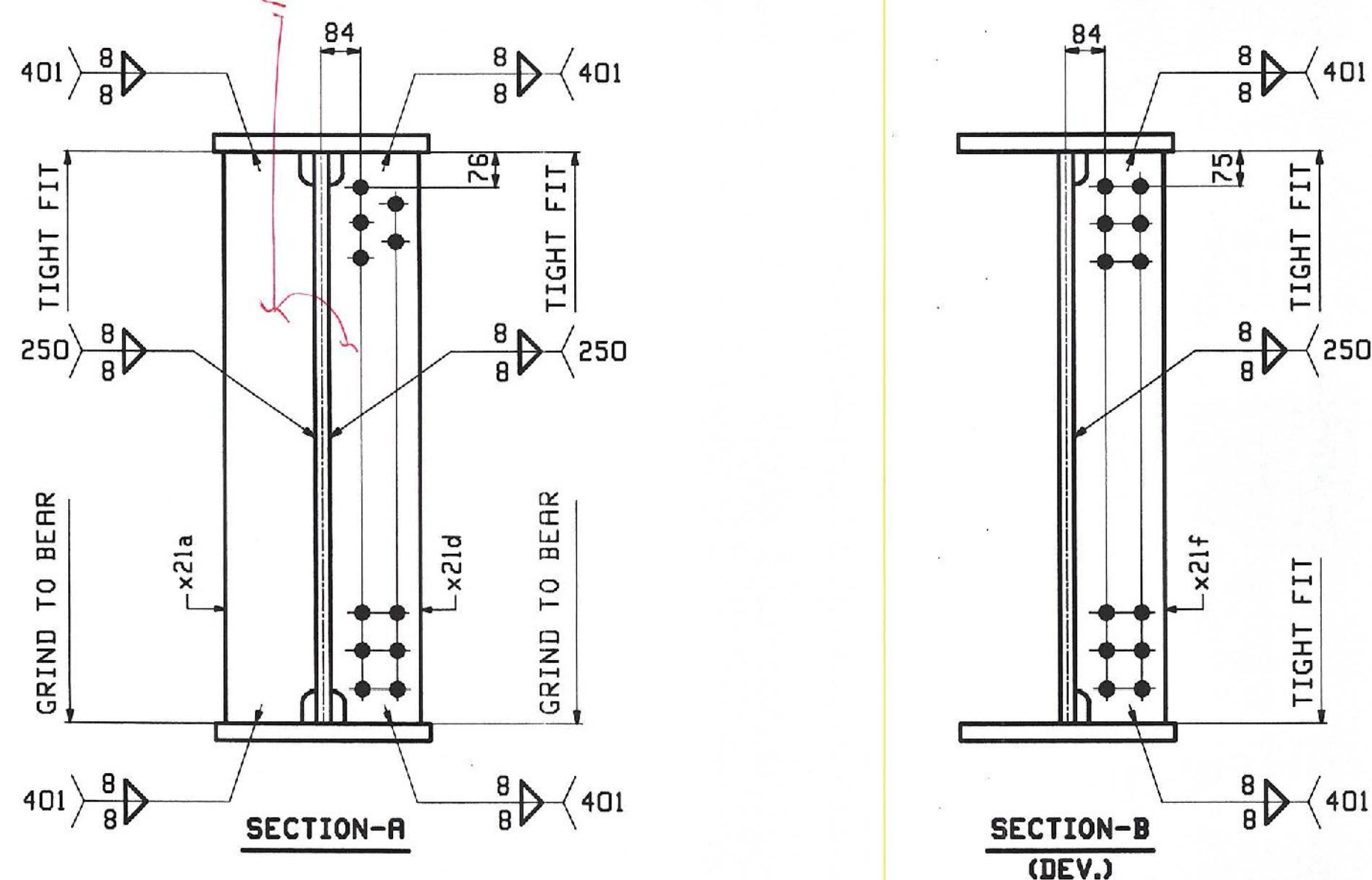
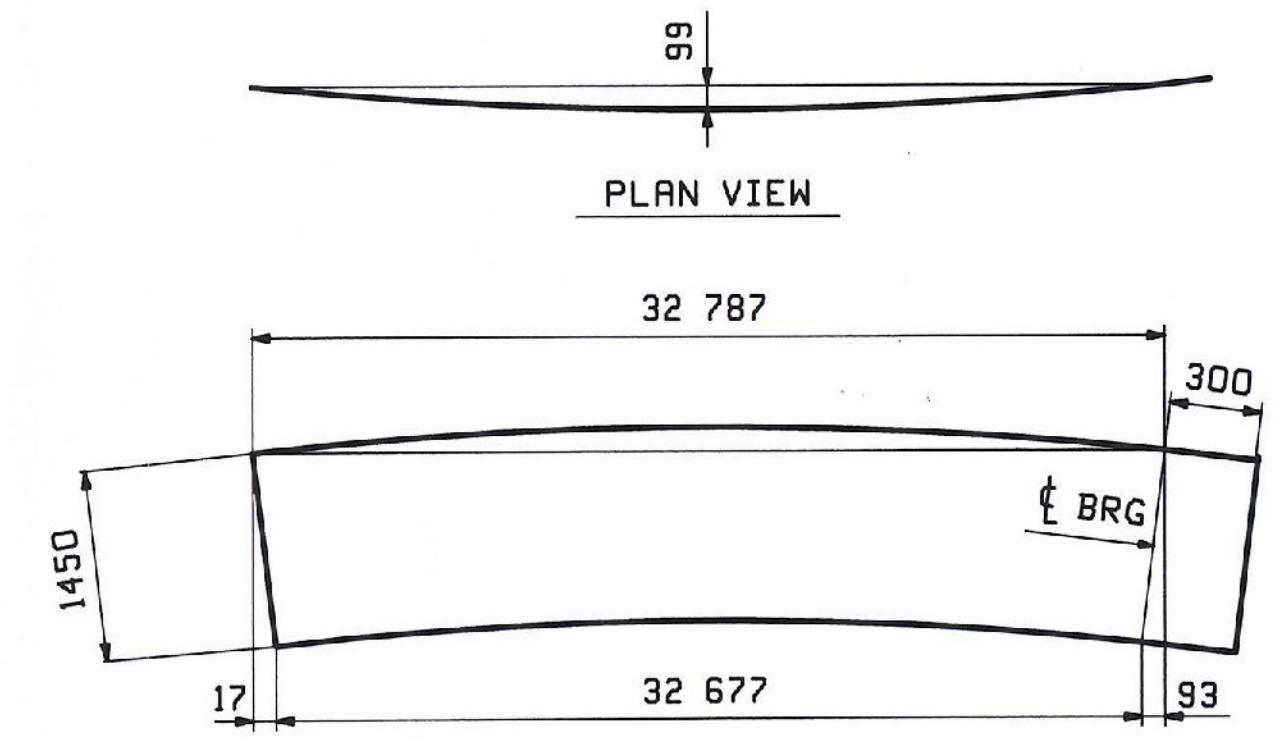
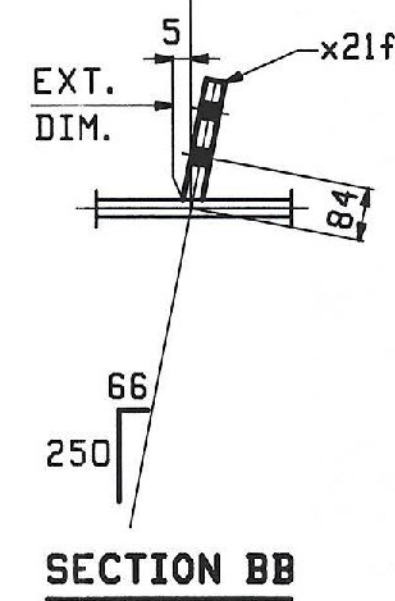
JOB NO.		DRAWING NO.		REV.					
408-2		220							
ABM INFO	SHIP	MARK	QTY	MARK	MATERIAL	LENGTH	REMARKS	MT	PROCUREMENT NOTES
PAGE	LINE					m			
		220G4E	1		GIRDER				5073 kg 32950 lb
202	L		1	ua	PL 18x1450	15 747	M270M-345MT2 (H2-3)		
202	U		1	ub	PL 18x1450	17 340	M270M-345MT2 (H2-3)		
202	E		1	ta	PL 25x460	16 222	M270M-345MT2 (H2-3)		
202	C		1	tb	PL 25x460	16 865	M270M-345MT2 (H2-3)		
201	J		1	ba	PL 42x460	16 112	M270M-345MT2 (H2-3)		
201	G		1	bb	PL 42x460	16 865	M270M-345MT2 (H2-3)		
204	B		1	x21a	PL 25x200	1 452	M270M-345MT2 (H2-3)		
204	B		1	x21d	PL 25x200	1 452	M270M-345MT2 (H2-3)		
204	C		5	x21f	PL 14x200	1 450	M270M-345MT2 (H2-3)		



**ONE - GIRDER - 220G4E (DEV.)**

FOR FIELD SPLICE DETAILS SEE SHT.X20.  
 FOR GIRDER STANDARDS SEE SHT.X21.  
 FOR CAMBER DIAGRAM SEE SHT.C203.  
 FOR FLANGE DIAGRAM SEE SHT.F205.  
 FOR GENERAL NOTES SEE SHT.GN1.

Per Drawing BR 287 "Girder Elevation (Ramp D)" and VTRans Structures Design Manual Section 20.6: "Shop flange butt welds and Shop web butt welds shall preferably have a 600 mm offset".



**TVGA CONSULTANTS**

NO EXCEPTIONS TAKEN  
 FURNISH AS CORRECTED  
 REVISE AND RESUBMIT  
 REJECTED  
 ENGINEER has reviewed Shop Drawings and Samples and other data which Contractor is required to submit only for conformance with the information given in the Contract Documents and compatibility with the design concept of the completed Project as a functioning whole as provided in the Contract Documents. Such reviews do not extend to methods, materials, techniques, sequences or procedures of fabrications. Such reviews do not extend to any LEED certification or accreditation. Contractor is responsible for dimensions to be confirmed and controlled at the job site for information that pertains solely to the construction process or to the behavior of the structure, and for coordination of the work of all trades.  
 DATE: 11-02-09

REV.	DATE	REMARKS	DWN	CHK	APVL	SHOP
0						SEP 04 2009
MATERIAL:		SURFACE PREP. & PAINT:		HOLES:		SHOP BOLTS:
AS NOTED						
DESCRIPTION: GIRDER - 220G4E						
CASCO BAY STEEL STRUCTURES, INC. 75 SPRING HILL ROAD SACO, MAINE 04072 PHONE (207) 282-7360 FAX. (207) 282-1179						
STRUCTURE: RAMP D VT RTE 279 OVER WALLOOMSAC RIVER BRIDGE NO. B15N BENNINGTON COUNTY			DRAWN: WR	DATE: 07/13		
LOCATION: BENNINGTON, VERMONT			CHKD: DO	DATE: 08/18		
PROJ NO. AC NH 019-1(51)			JOB NO. 408-2	DWG NO. 220		
CUSTOMER: KUBRICKY CONSTRUCTION					REV. 1	

Rev. 24, 2008 08:58:58 PM /c:\p1\job\2886-2\220.rvt  
 MW