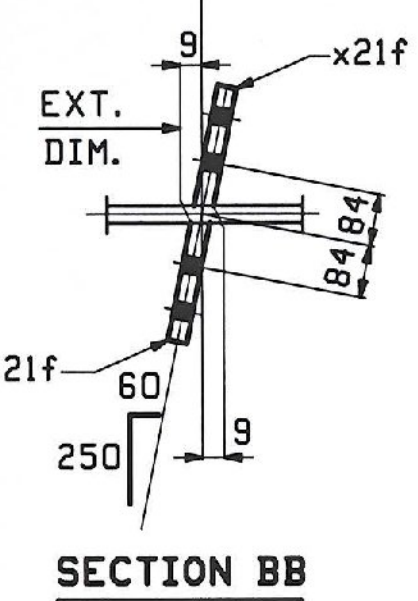
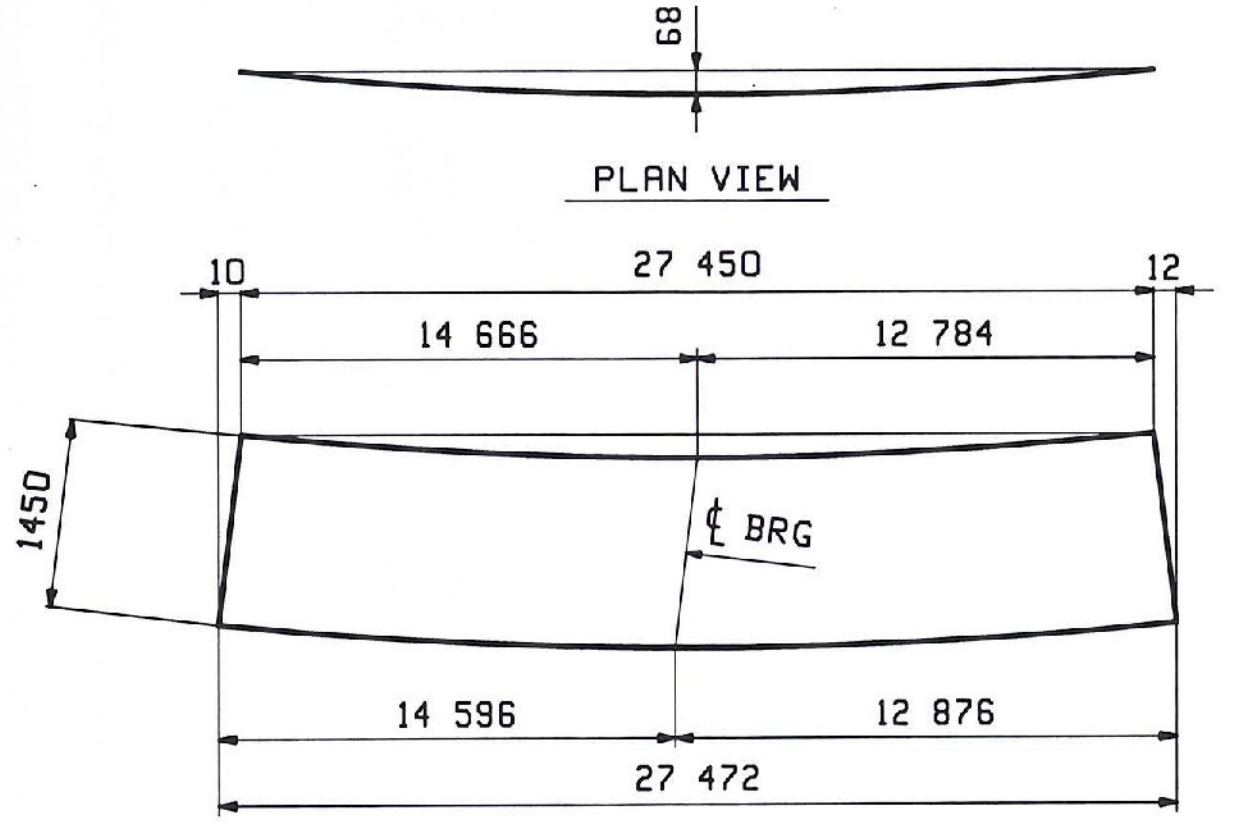


ABM INFO		BILL OF MATERIAL				JOB NO.	DRAWING NO.	REV.	
PAGE	LINE	MARK	QTY	MARK	MATERIAL	LENGTH	REMARKS	WT	PROCUREMENT NOTES
		214G2D	1		GIRDER			6117 kg 35331 lb	
203	E		1	wa	PL 18x1450	5 347	M220M-345MT2 (H2-3)		
201	C		1	wb	PL 18x1450	18 383	M220M-HP6485MT2 (P-26)		
203	L		1	wc	PL 18x1450	3 742	M220M-345MT2 (H2-3)		
201	S		1	ta	PL 42x460	6 117	M220M-345MT2 (H2-3)		
201	A		1	tb	PL 56x460	10 974	M220M-HP6485MT2 (P-26)		
201	B		1	tc	PL 56x460	6 096	M220M-HP6485MT2 (P-26)		
201	W		1	td	PL 42x460	4 263	M220M-345MT2 (H2-3)		
201	S		1	ba	PL 42x460	6 061	M220M-345MT2 (H2-3)		
201	A		1	bb	PL 56x460	10 974	M220M-HP6485MT2 (P-26)		
201	B		1	bc	PL 56x460	6 096	M220M-HP6485MT2 (P-26)		
201	U		1	bd	PL 42x460	4 341	M220M-345MT2 (H2-3)		
204	B		1	x21c	PL 25x200	1 452	M220M-345MT2 (H2-3)		
204	B		1	x21d	PL 25x200	1 452	M220M-345MT2 (H2-3)		
204	C		10	x21f	PL 14x200	1 450	M220M-345MT2 (H2-3)		

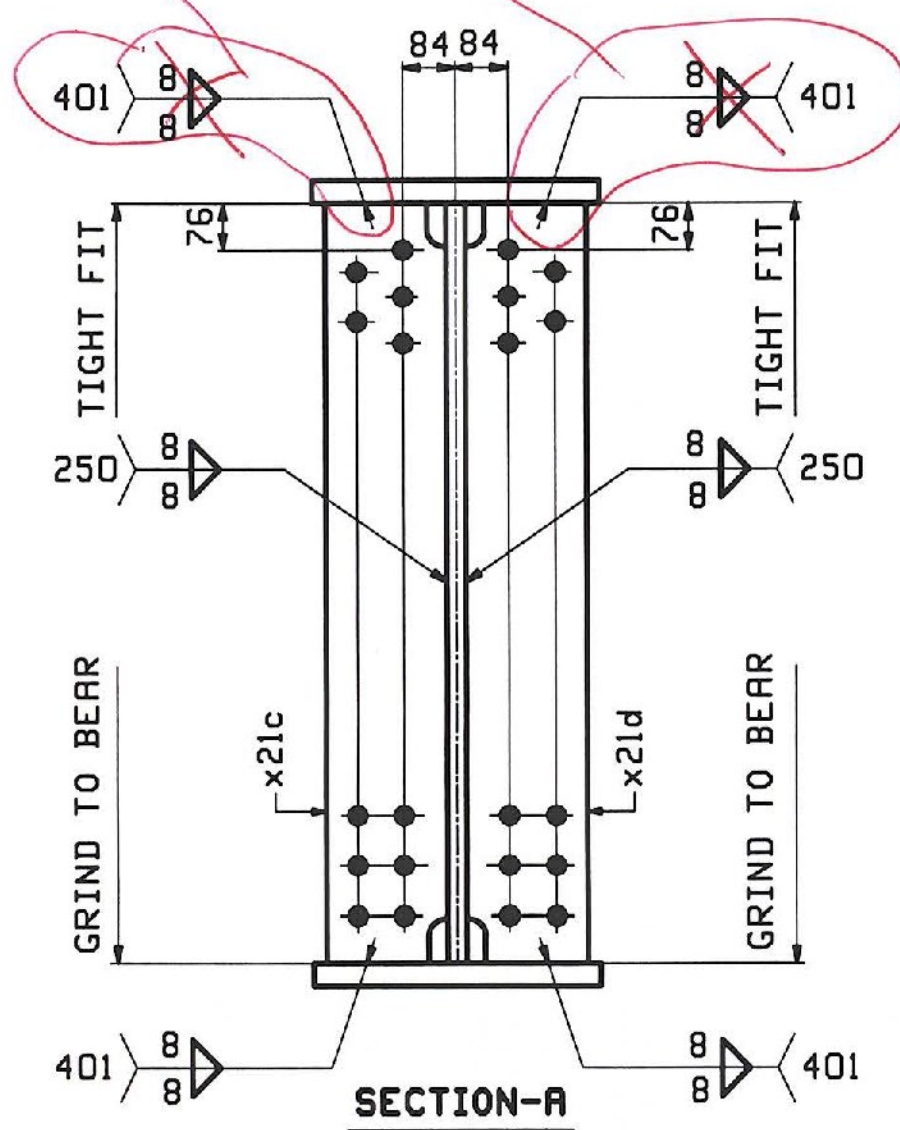
NO WELD BETWEEN TOP FLANGE AND STIFFENERS AT THE PIERS. TIGHT FIT ONLY

ONE - GIRDER - 214G2D (DEV.)

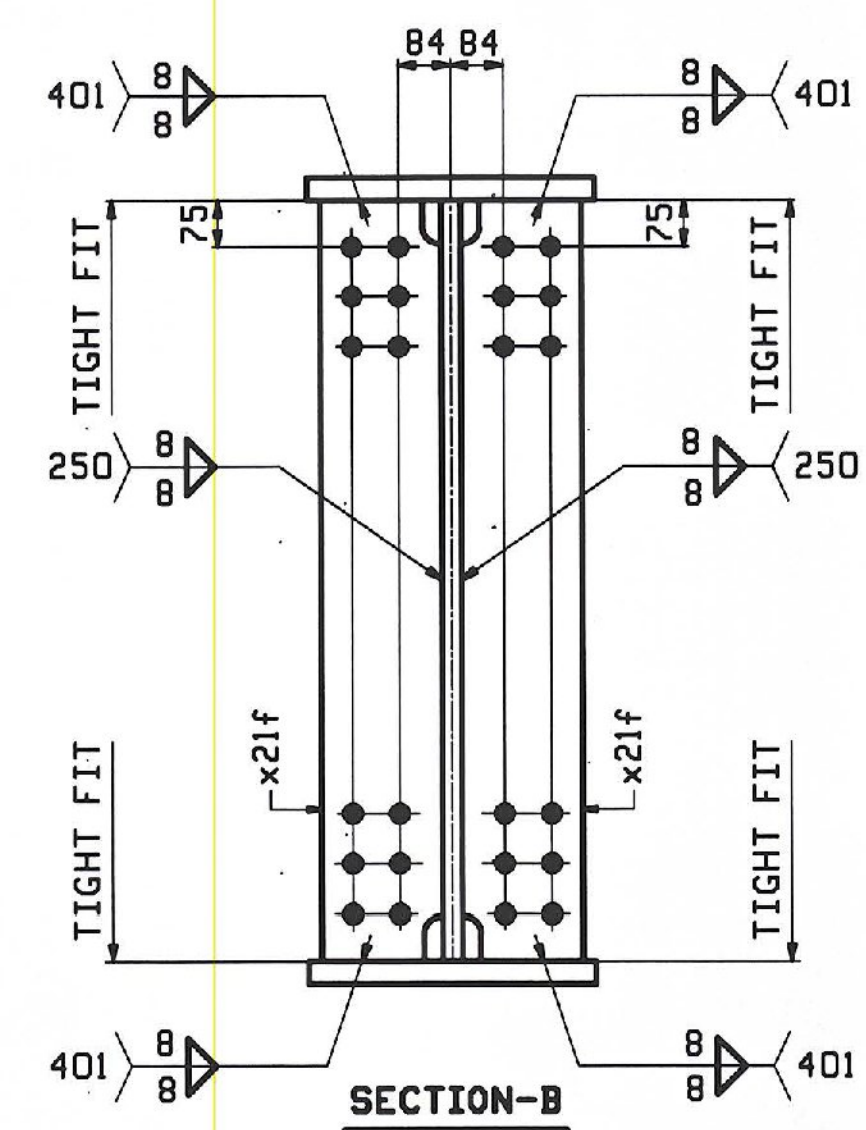
FOR FIELD SPLICE DETAILS SEE SHT.X20.
 FOR GIRDER STANDARDS SEE SHT.X21.
 FOR CAMBER DIAGRAM SEE SHT.C202.
 FOR FLANGE DIAGRAM SEE SHT.F204.
 FOR GENERAL NOTES SEE SHT.GN1.



SECTION BB



SECTION-A



SECTION-B (DEV.)

TVGA CONSULTANTS

NO EXCEPTIONS TAKEN
 FURNISH AS CORRECTED
 REVISE AND RESUBMIT
 REJECTED

NO EXCEPTIONS TAKEN
 FURNISH AS CORRECTED
 ENGINEER HAS REVIEWED SHOP DRAWINGS AND SAMPLES AND
 CONFIRMS THAT THE INFORMATION IS ACCURATE AND COMPLETE
 AND COMPATIBLE WITH THE DESIGN CONCEPT OF THE
 DOCUMENTS. SUCH REVIEWS DO NOT CONSTITUTE A GUARANTEE
 OF THE ACCURACY OF THE INFORMATION OR THE QUALITY OF
 THE CONSTRUCTION. CONTRACTOR IS RESPONSIBLE FOR OBTAINING
 ALL NECESSARY PERMITS AND FOR COORDINATION OF THE WORK
 WITH ALL AFFECTING AGENCIES AND FOR THE PROTECTION OF
 THE WORK AND THE PUBLIC. CONTRACTOR IS RESPONSIBLE FOR
 OBTAINING ALL NECESSARY PERMITS AND FOR COORDINATION
 OF THE WORK WITH ALL AFFECTING AGENCIES AND FOR THE
 PROTECTION OF THE WORK AND THE PUBLIC.

BY: *[Signature]*
 DATE: 1-08-07

09/08	ADDED FLG SPLICE TO 56mm FLGS	EEO	DO	9-22-09		
9/3	DIM. 375 TO 430	WR	DO			
0				9-4-09		
REV.	DATE	REMARKS	DWN	CHK	APVL	SHOP
MATERIAL:		SURFACE PREP. & PAINT:		HOLES:		SHOP BOLTS:
AS NOTED		SEE DWG GNI		15 16 Ø		NONE
DESCRIPTION: GIRDER - 214G2D						
CASCO BAY STEEL STRUCTURES, INC.						
75 SPRING HILL ROAD			SACO, MAINE 04072			
PHONE (207) 282-7360			FAX. (207) 282-1179			
STRUCTURE: RAMP D		DRAWN: WR		DATE: 07/13		
VT RTE 279 OVER WALLOOMSAC RIVER		CHKD: DO		DATE: 08/18		
BRIDGE NO. B15N		JOB NO. 408-2		DWG NO. 214		
BENNINGTON COUNTY		CUSTOMER: KUBRICKY CONSTRUCTION		REV. A		