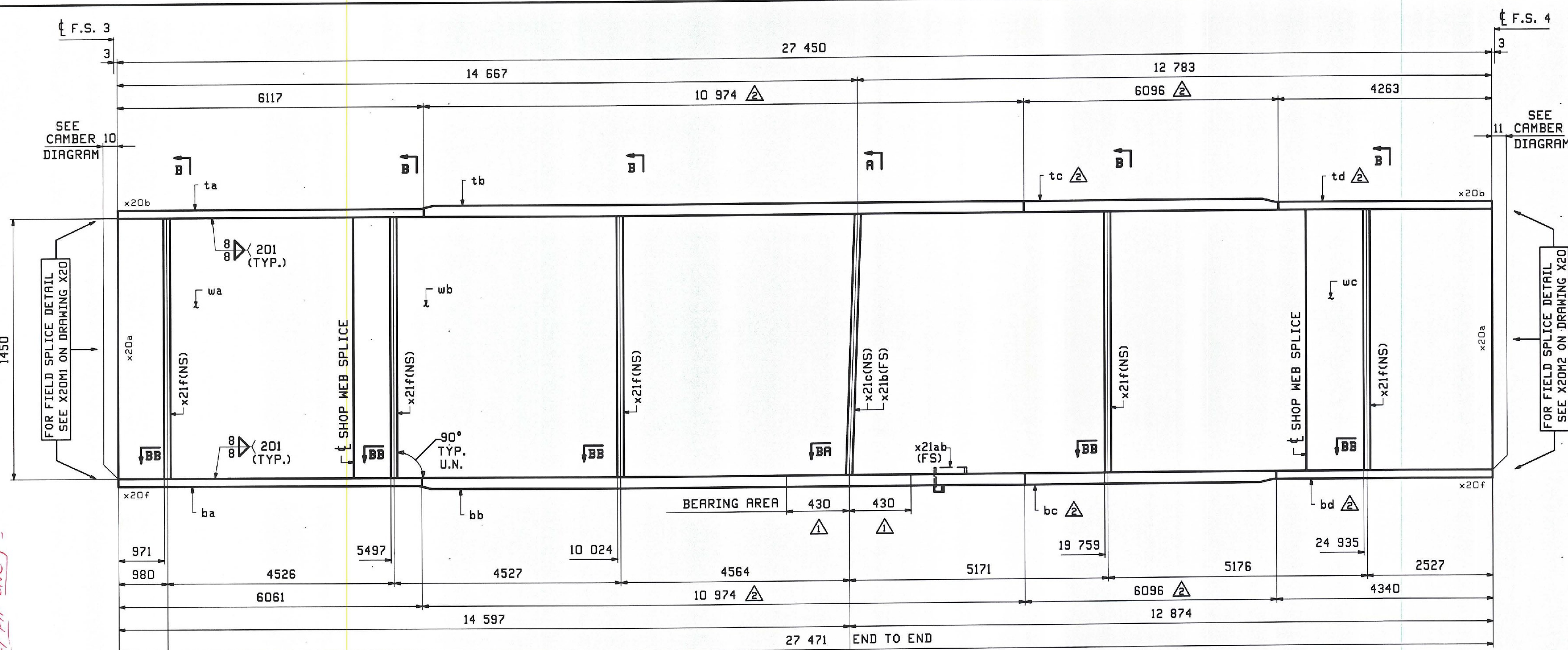
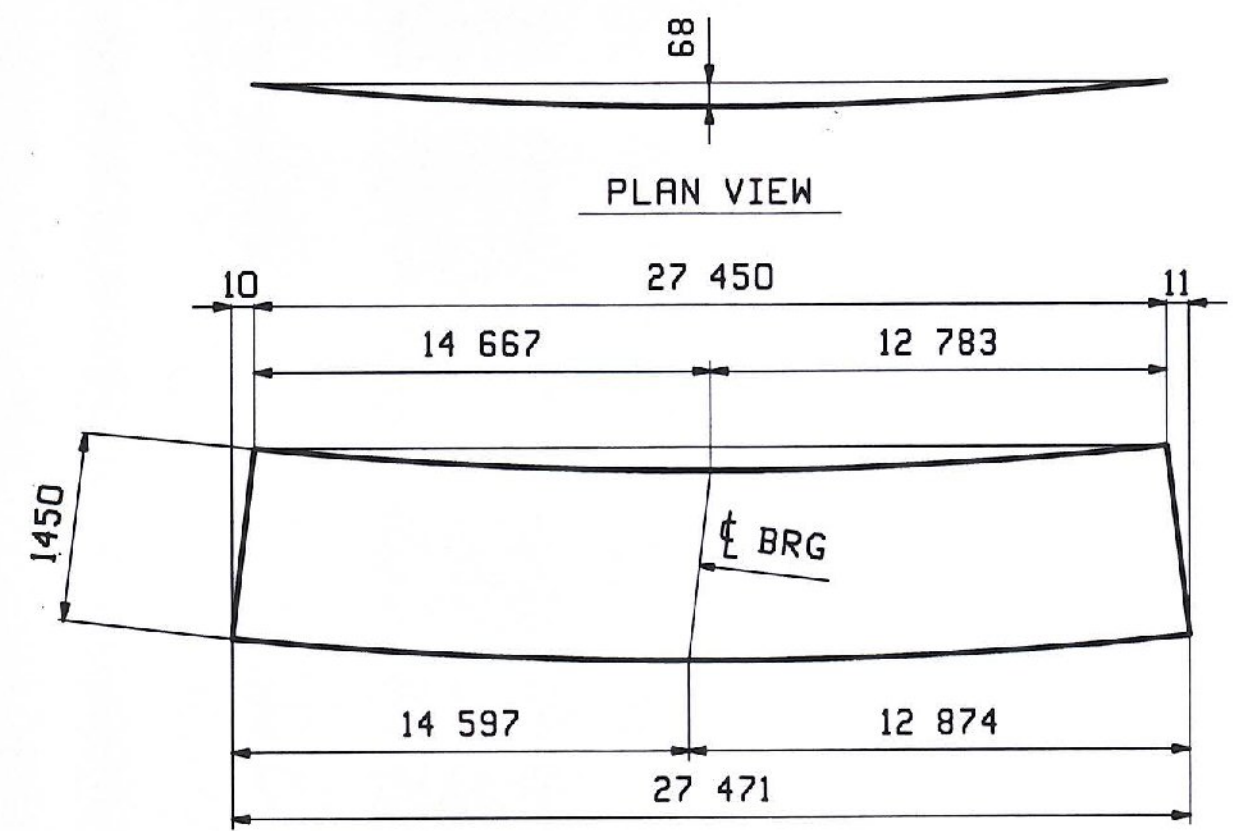
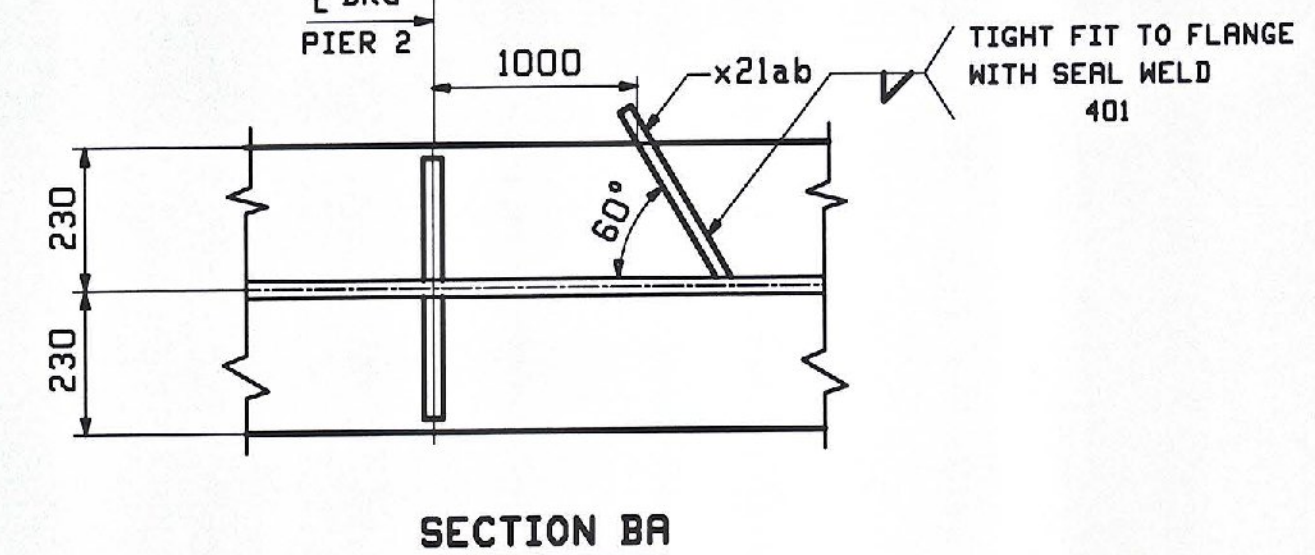
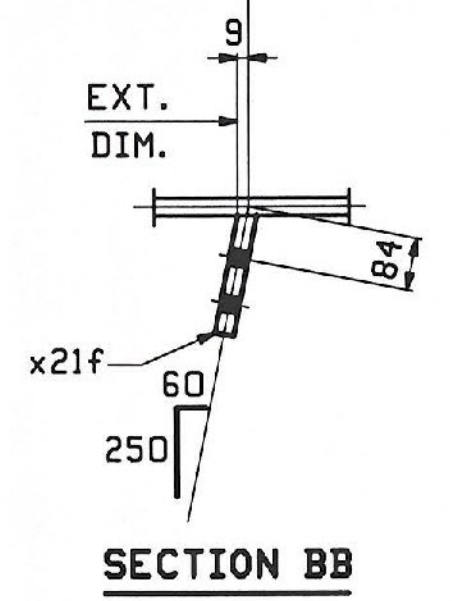


JOB NO.		DRAWING NO.		REV.		
408-2		213		△		
ABM INFO	SHIP	BILL OF MATERIAL		REMARKS	WT	PROCUREMENT NOTES
PAGE	LINE	MARK	QTY	MARK	MATERIAL	LENGTH
		213G1D	1		GIRDER	
203	E	1	wa		PL 18x1450	5 348
201	C	1	wb		PL 18x1450	18 383
203	L	1	wc		PL 18x1450	3 742
201	S	1	ta		PL 42x460	6 117
201	A	1	tb		PL 56x460	10 974
201	W	1	td		PL 42x460	4 253
201	S	1	ba		PL 42x460	6 061
201	A	1	bb		PL 56x460	10 974
201	B	1	bc		PL 56x460	6 096
201	U	1	bd		PL 42x460	4 340
204	B	1	x21b		PL 25x200	1 452
204	B	1	x21c		PL 25x200	1 452
204	C	5	x21f		PL 14x200	1 450
204	F	1	x21ab		PL 6x106	0 308

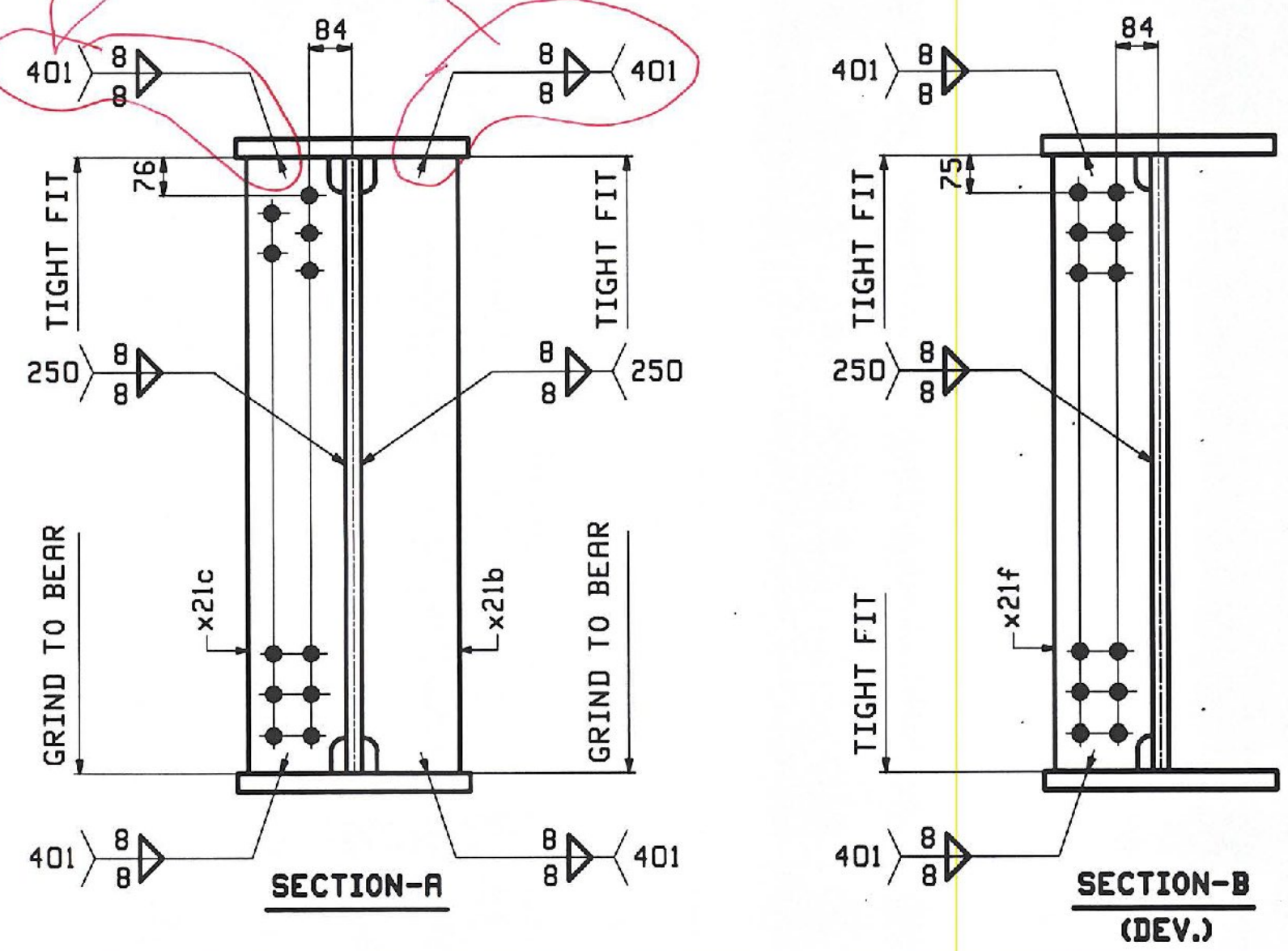


NO WELD BETWEEN TOP FLANGE AND STIFFENERS AT THE PIER TIGHT FIT ONLY -



**ONE - GIRDER - 213G1D (DEV.)**

FOR FIELD SPLICE DETAILS SEE SHT.X20.  
 FOR GIRDER STANDARDS SEE SHT.X21.  
 FOR CAMBER DIAGRAM SEE SHT.C202.  
 FOR FLANGE DIAGRAM SEE SHT.F204.  
 FOR GENERAL NOTES SEE SHT.GN1.



**TVGA CONSULTANTS**

NO EXCEPTIONS TAKEN  REJECTED  
 REVISE AND RESUBMIT  
 FURNISH AS CORRECTED  
 ENGINEER has reviewed Shop Drawings and Samples and other data which Contractor is required to submit, only for conformance with the information given in the Contract Documents and compliance with the design concept of the completed Project as a functioning whole as stipulated in the Contract Documents. Such reviews do not extend to means, methods, techniques, sequences or procedures of construction or to safety precautions and programs incident thereto. Such reviews do not extend to any LEED certification or accreditation. Contractor is responsible for dimensions to be confirmed and controlled in the job site for information that pertains solely to the fabrication processes or to techniques of construction, and for coordination of the work of all trades.  
 BY: Jim  
 DATE: 11-05-09

09/08	ADDED FLG SPLICE TO 56mm FLGS	EEO	DO	9-22-09		
9/3	DIM. 375 TO 430	WR	DO			
0				9-4-09		
REV.	DATE	REMARKS	DWN	CHK	APVL	SHOP
MATERIAL:		SURFACE PREP. & PAINT:		HOLES:		SHOP BOLTS:
M270M-345W (UN)		SEE DWG GN1		15 16		NONE
DESCRIPTION: GIRDER - 213G1D						
CASCO BAY STEEL STRUCTURES, INC. 75 SPRING HILL ROAD SACO, MAINE 04072 PHONE (207) 282-7360 FAX. (207) 282-1179						
STRUCTURE: RAMP D VT RTE 279 OVER WALLOOMSAC RIVER BRIDGE NO. B15N BENNINGTON COUNTY		DRAWN: WR	DATE: 07/13	CHKD: DO	DATE: 08/18	
LOCATION: BENNINGTON, VERMONT		JOB NO. 408-2	DWG NO. 213	REV. △		
PROJ NO. AC NH 019-1(51)		CUSTOMER: KUBRICKY CONSTRUCTION				