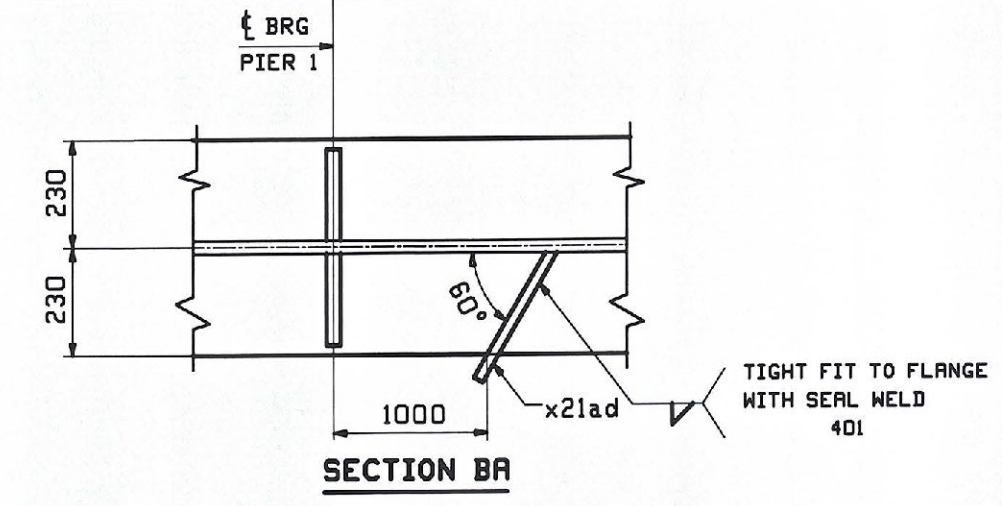
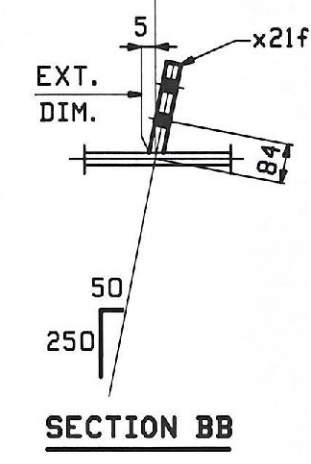
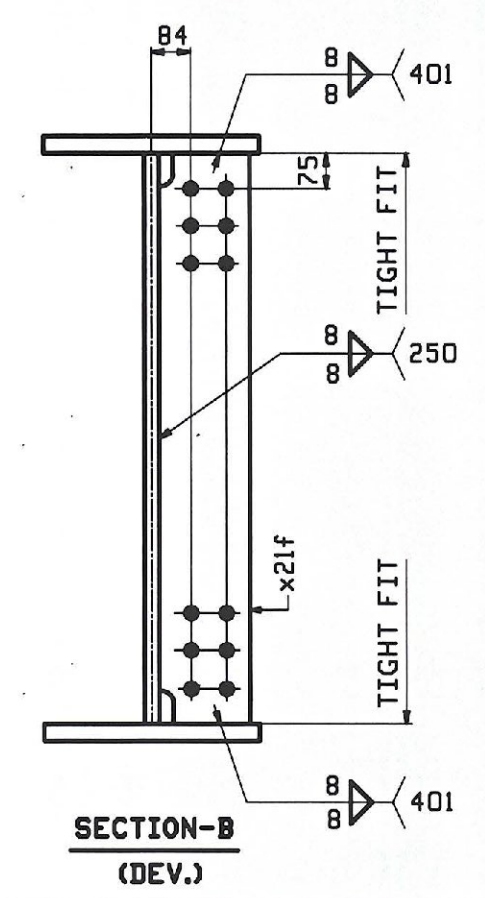
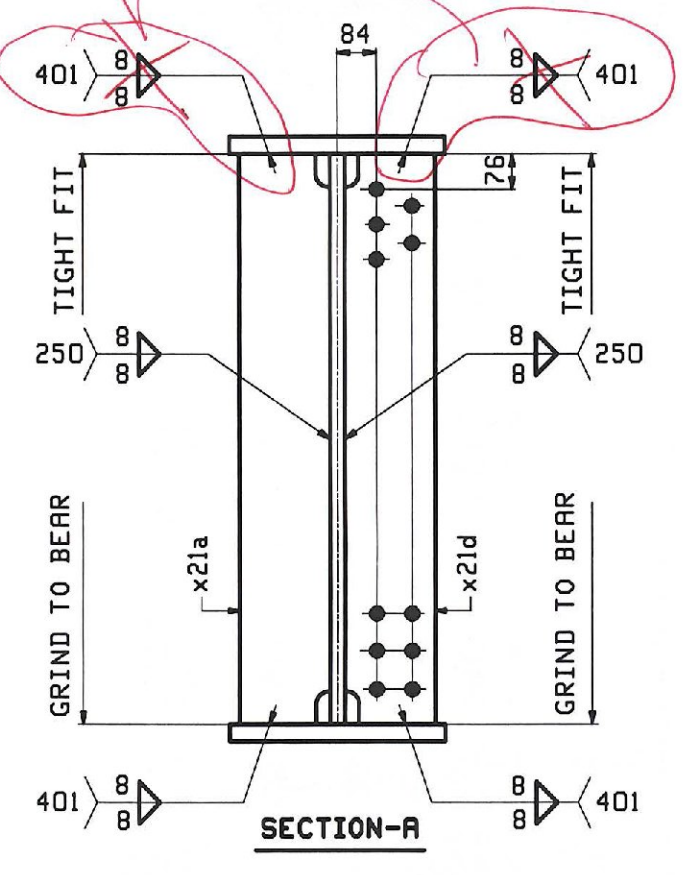


NO WELDS BETWEEN THE TOP FLANGE AND STIFFENERS AT THE PIER. TIGHT FIT ONLY

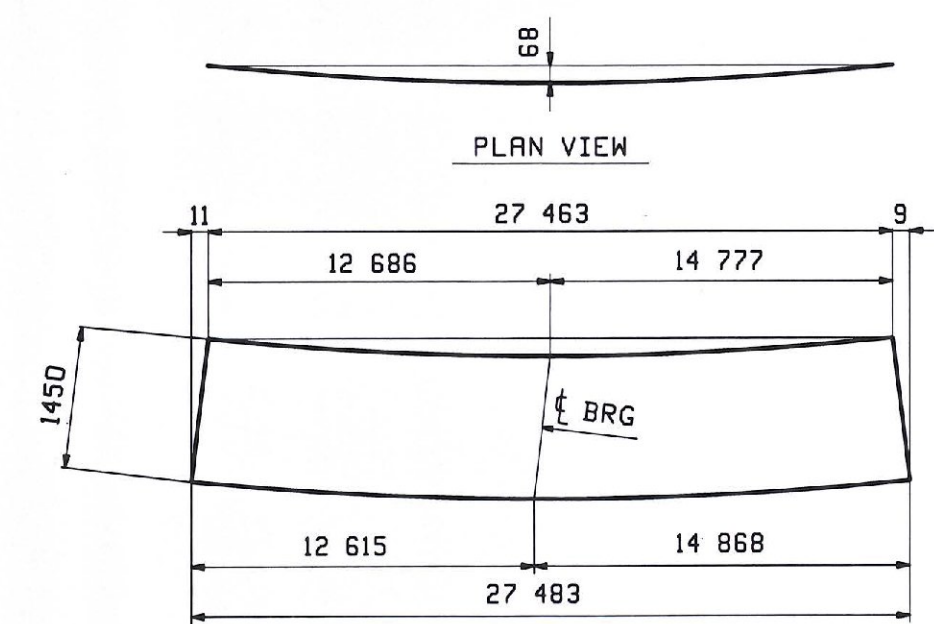


ONE - GIRDER - 208G4B (DEV.)

FOR FIELD SPLICE DETAILS SEE SHT.X20.  
 FOR GIRDER STANDARDS SEE SHT.X21.  
 FOR CAMBER DIAGRAM SEE SHT.C201.  
 FOR FLANGE DIAGRAM SEE SHT.F202.  
 FOR GENERAL NOTES SEE SHT.GN1.



RBM INFO		SHP		BILL OF MATERIAL		JOB NO.		DRAWING NO.		REV.
						408-2		208		△
PAGE	LINE	MARK	QTY	MARK	MATERIAL	LENGTH	REMARKS	WT	PROCUREMENT NOTES	
		208G4B	1		GIRDER					
203	G	1	wa	PL 18x1450	3	481	x270m-345M12 (102-3)			
201	C	1	wb	PL 18x1450	18	348	x270m-HP489M12 (102-20)			
203	J	1	wc	PL 18x1450	5	657	x270m-345M12 (102-3)			
201	Y	1	1a	PL 42x460	4	139	x270m-345M12 (102-3)			
201	A	1	1b	PL 56x460	10	874	x270m-HP489M12 (102-20)			
201	B	1	1c	PL 56x460	8	098	x270m-HP489M12 (102-20)			
201	Q	1	1d	PL 42x460	5	254	x270m-345M12 (102-3)			
201	Y	1	1e	PL 42x460	4	081	x270m-345M12 (102-3)			
201	A	1	1f	PL 56x460	10	874	x270m-HP489M12 (102-20)			
201	B	1	1g	PL 56x460	8	098	x270m-HP489M12 (102-20)			
201	N	1	1h	PL 42x460	5	332	x270m-345M12 (102-3)			
204	B	1	x21a	PL 25x200	1	452	x270m-345M12 (102-3)			
204	B	1	x21b	PL 25x200	1	452	x270m-345M12 (102-3)			
204	C	5	x21f	PL 14x200	1	450	x270m-345M12 (102-3)			
204	E	1	x21ad	PL 6x106	1	308	BRG BRG x270m-345M			



09/08	ADDED FLG SPLICE TO 56mm FLGS	EEO	DO	7-12-09			
REV.	DATE	REMARKS	DWN	CHK	APVL	SHOP	
MATERIAL:	AS NOTED	SURFACE PREP. & PAINT:	SEE DWG GNI	HOLES:	15/16"	SHOP BOLTS:	NONE
DESCRIPTION: GIRDER - 208G4B							
CASCO BAY STEEL STRUCTURES, INC. 75 SPRING HILL ROAD SACO, MAINE 04072 PHONE (207) 282-7360 FAX (207) 282-1179							
STRUCTURE: RAMP D VT RTE 279 OVER WALLOOMSAC RIVER BRIDGE NO. B15N BENNINGTON COUNTY		DRAWN: HR DATE: 07/13		CHECKED: DO DATE: 08/17			
LOCATION: BENNINGTON, VERMONT		JOB NO. 408-2		DWG NO. 208			
PROJ. NO. AC NH D19-1(S1)		CUSTOMER: KUBRICKY CONSTRUCTION		REV. △			

**TYGA CONSULTANTS**  
 NO EXCEPTIONS TAKEN  REJECTED  
 DESIGN AS CORRECTED  REVISE AND RESUBMIT  
 ENR/INTEC has reviewed Shop Drawings and Details and other data which Contractor is required to submit, and for conformance with the information given in the Contract Documents and consistency with the scope of work of the Contract Documents. Such review is not intended to constitute an approval, certification, or endorsement of construction or to verify compliance with applicable codes and regulations. Contractor is responsible for determining the accuracy and completeness of the data. For information that pertains to the fabrication of the work or to the bearing of the contract, and the construction of the work of all trades.