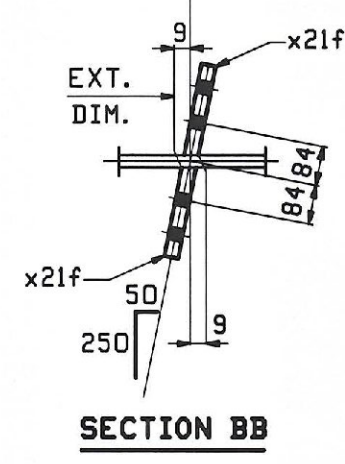
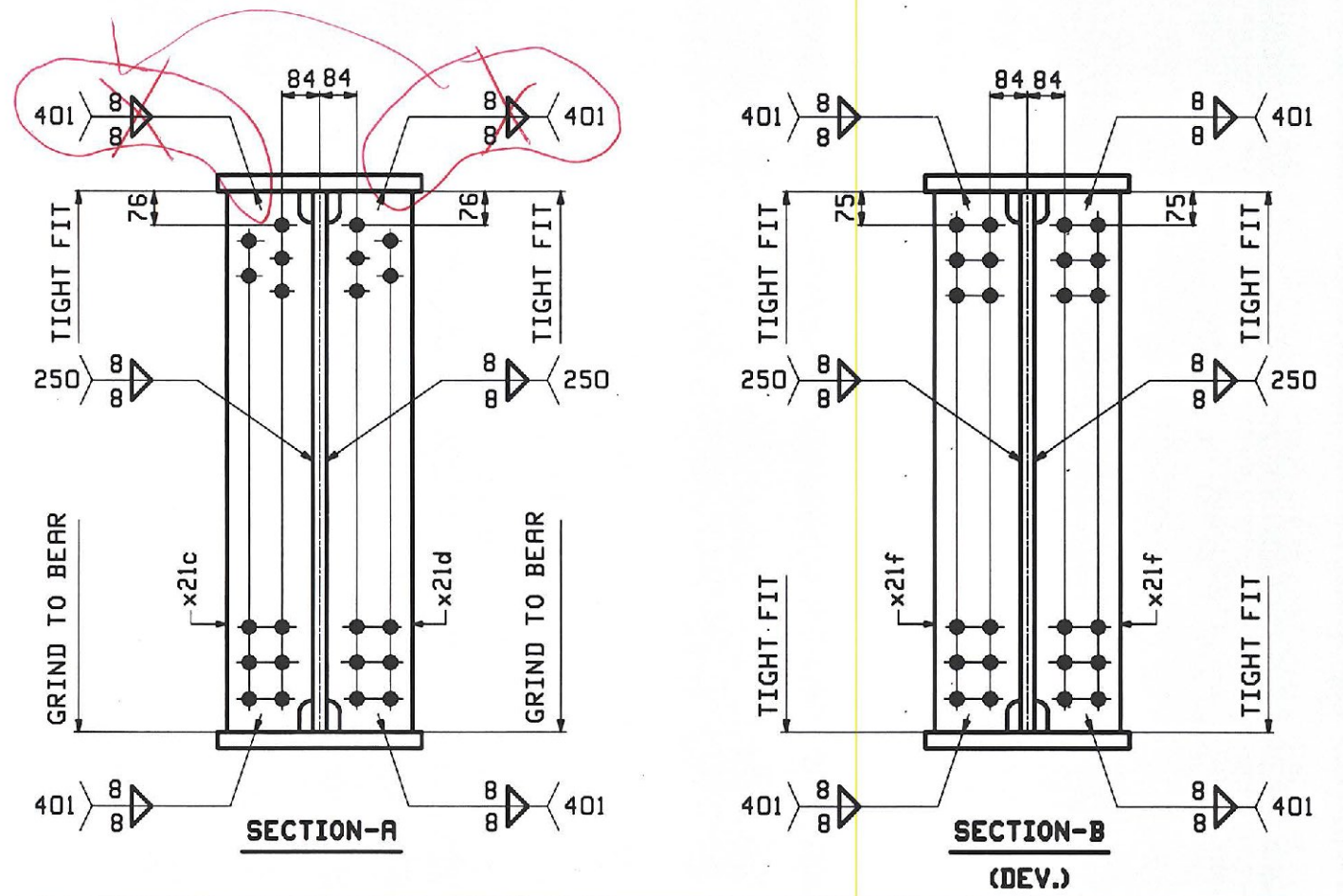


NO WELD BETWEEN TOP FLANGE AND STIFFENERS AT THE PILES. TIGHT FIT ONLY

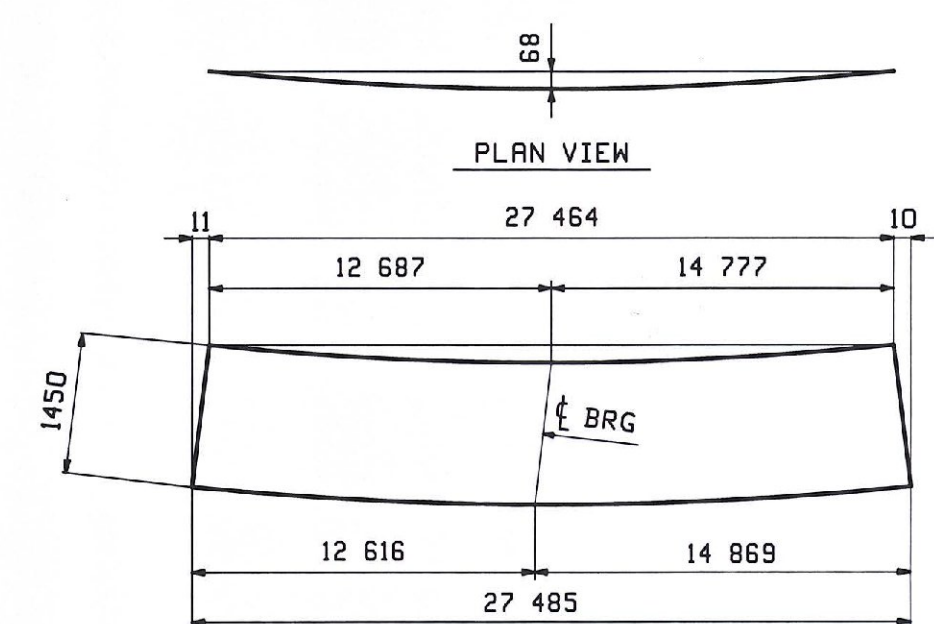


**ONE - GIRDER - 207G3B (DEV.)**

FOR FIELD SPLICE DETAILS SEE SHT.X2D.  
 FOR GIRDER STANDARDS SEE SHT.X2I.  
 FOR CAMBER DIAGRAM SEE SHT.C20I.  
 FOR FLANGE DIAGRAM SEE SHT.F202.  
 FOR GENERAL NOTES SEE SHT.GN1.



JOB NO.		DRAWING NO.		REV.	
408-2		207		△	
ABM INFO	BHP	QTY	REMARKS	WT	PROCUREMENT NOTES
207G3B	1		GIRDER		
203 G	1	wa	PL 18x1450	3 482	x270m-345MT2 (H2-3)
201 C	1	wb	PL 18x1450	18 348	x270m-345MT2 (H2-2)
203 J	1	wc	PL 18x1450	3 659	x270m-345MT2 (H2-3)
201 Y	1	td	PL 42x460	4 138	x270m-345MT2 (H2-3)
201 A	1	tb	PL 56x460	10 974	x270m-345MT2 (H2-2)
201 B	1	tc	PL 56x460	6 096	x270m-345MT2 (H2-2)
201 Q	1	td	PL 42x460	6 255	x270m-345MT2 (H2-3)
201 Y	1	ba	PL 42x460	4 081	x270m-345MT2 (H2-3)
201 A	1	bb	PL 56x460	10 974	x270m-345MT2 (H2-2)
201 B	1	bc	PL 56x460	6 096	x270m-345MT2 (H2-2)
201 N	1	bd	PL 42x460	6 334	x270m-345MT2 (H2-3)
204 B	1	x21c	PL 25x200	1 452	x270m-345MT2 (H2-3)
204 B	1	x21d	PL 25x200	1 452	x270m-345MT2 (H2-3)
204 C	1	x21f	PL 14x200	1 450	x270m-345MT2 (H2-3)



DEV. ORIENTATION DIAGRAM FOR CAMBER SEE DWG C20I

**TVGA CONSULTANTS**  
 NO EXCEPTIONS TAKEN  
 FINISH AS CORRECTED  
 REVISE AND RESUBMIT  
 ENGINEER HAS REVIEWED SHOP DRAWINGS AND SPECIFICATIONS AND CONFIRMS THAT THE CONTRACTOR IS RESPONSIBLE TO VERIFY ALL DIMENSIONS AND CONFORMANCE WITH THE INFORMATION SHOWN IN THE CONTRACT DOCUMENTS AND COMPLYING WITH THE ENERGY CODES OF THE CONTRACT PROJECT AND A FAVORABLE OPINION IS INCORPORATED IN THE CONTRACT DOCUMENTS. SUCH REVIEW DOES NOT CONSTITUTE AN ENDORSEMENT, RECOMMENDATION, OR GUARANTEE OF ANY KIND BY THE ENGINEER OR ARCHITECT FOR THE ACCURACY OR COMPLETENESS OF THE INFORMATION SHOWN IN THE CONTRACT DOCUMENTS. CONSULTANT IS NOT RESPONSIBLE FOR THE CONTRACTOR'S FAILURE TO VERIFY DIMENSIONS OR CONFORMANCE WITH THE CONTRACT DOCUMENTS OR FOR THE CONTRACTOR'S FAILURE TO OBTAIN NECESSARY PERMITS OR APPROVALS FROM THE APPROPRIATE AGENCIES. CONSULTANT'S LIABILITY IS LIMITED TO THE PROFESSIONAL SERVICES PROVIDED BY THE CONSULTANT.

DATE	09/08	REVISION	ADDED FLG SPLICE TO 56mm FLGS	EEO	DO	9-11-07	
REV. DATE		REMARKS		DWN	CHK	APVL	SHOP
MATERIAL:	AS NOTED	SURFACE PREP. & PAINT:	SEE DWG GNI	HOLES:	12φ	SHOP BOLTS:	NONE
DESCRIPTION:	GIRDER - 207G3B						
STRUCTURE:	RAMP D		BRIDGE NO.	B15N	BRIDGE NO.	BENNINGTON COUNTY	
LOCATION:	VT RTE 279 OVER WALLOOHSAC RIVER		BRIDGE NO.	B15N	BRIDGE NO.	BENNINGTON COUNTY	
PROJ. NO.	AC NH D19-1K51		JOB NO.	408-2		DWG NO.	207
CUSTOMER:	KUBRICKY CONSTRUCTION		DATE:	07/13		DATE:	08/17
							REV. △