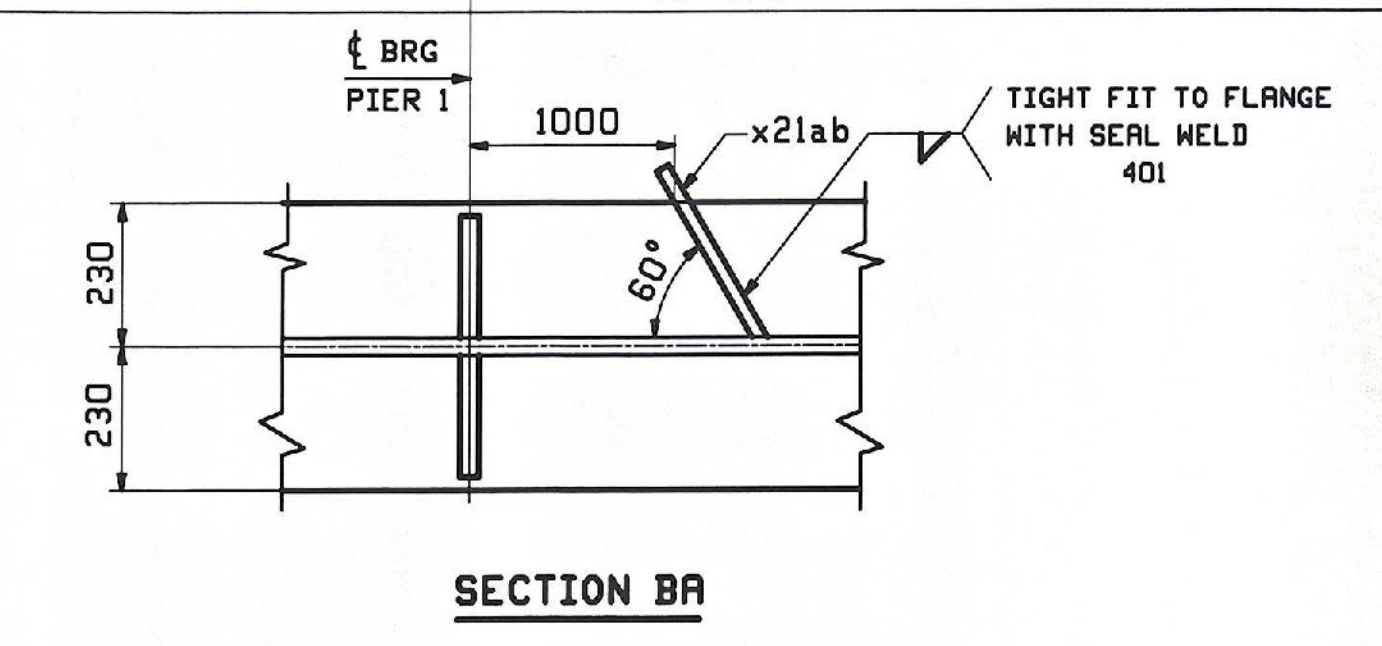
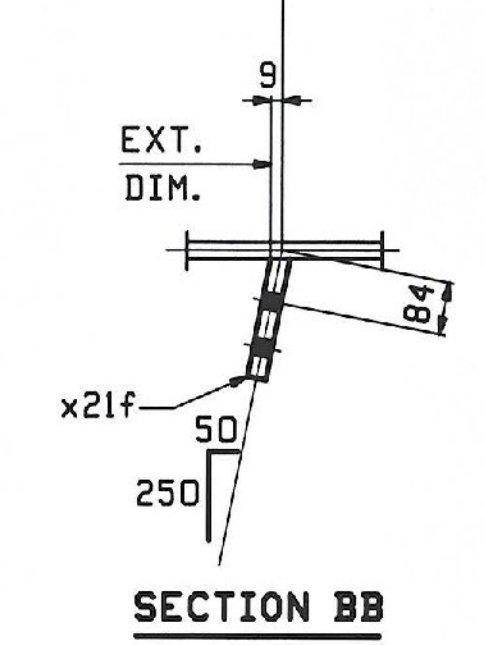


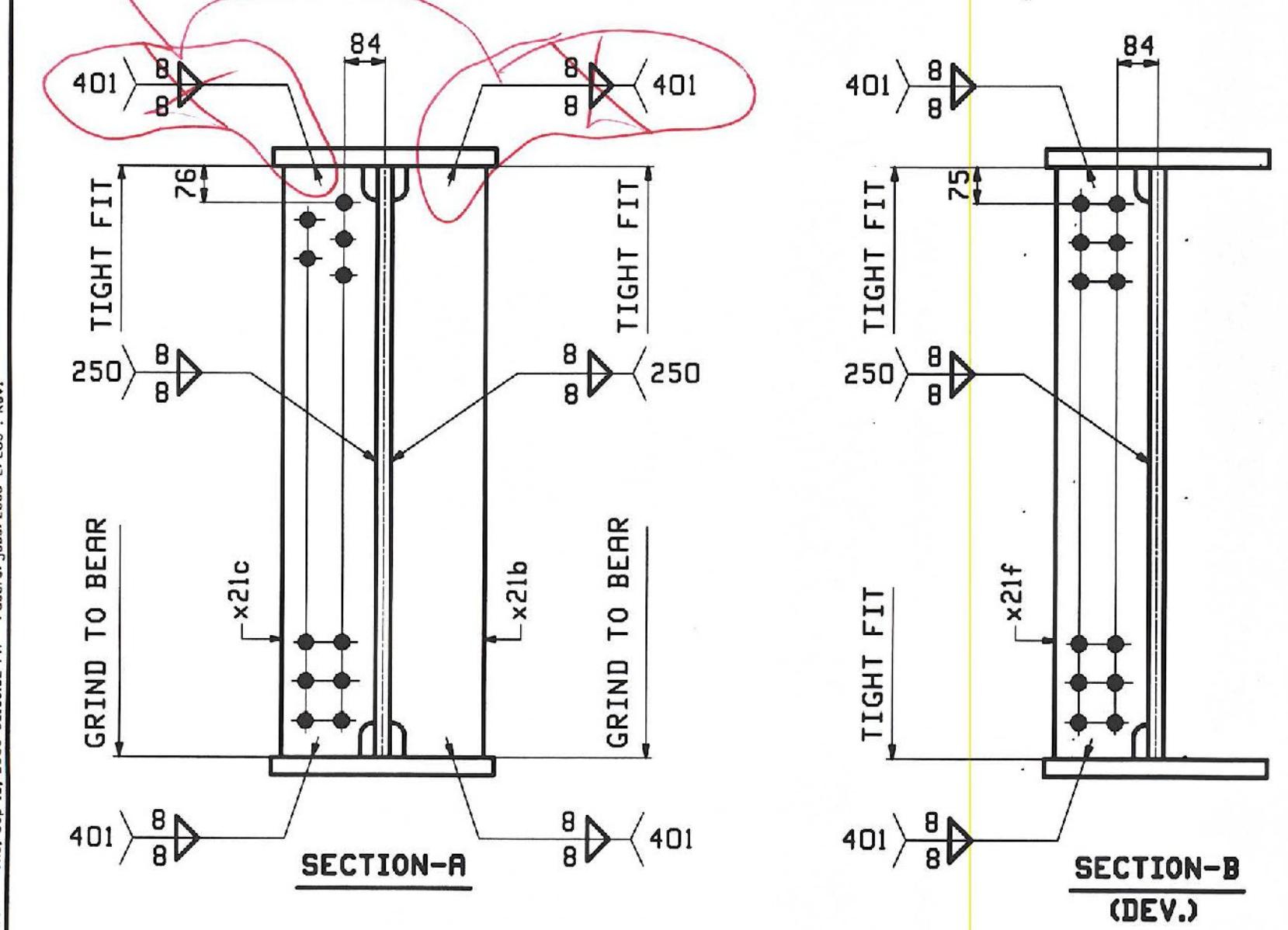
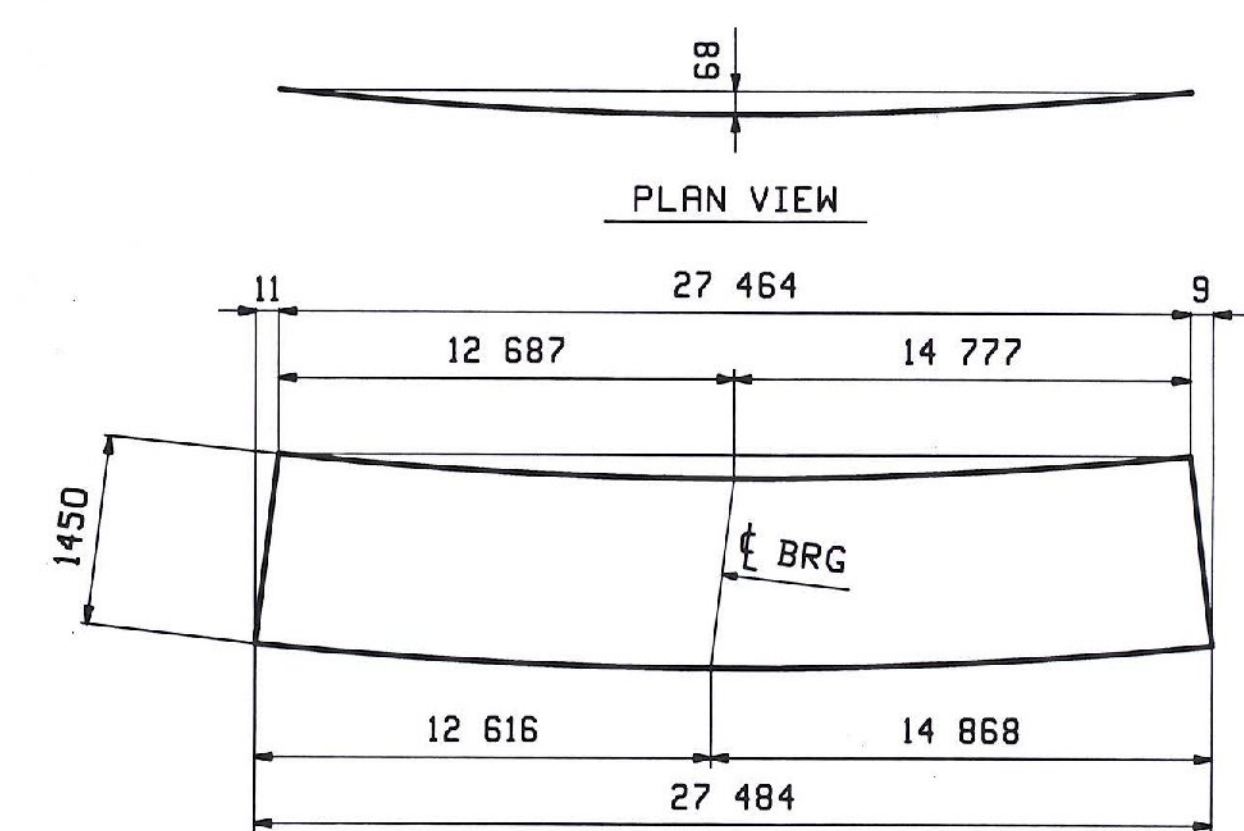
BILL OF MATERIAL						JOB NO. 408-2		DRAWING NO. 205		REV. A
PAGE	LINE	MARK	QTY	MARK	MATERIAL	LENGTH	REMARKS	WT	PROCUREMENT NOTES	
		205G1B	1		GIRDER			3866 kg 85199 lb		
203	G		1	wa	PL 18x1450	3 462	M270M-345MT2 (H2-3)			
201	C		1	wb	PL 18x1450	18 345	M270M-HPS465MT2 (P2-26)			
203	J		1	wc	PL 18x1450	5 659	M270M-345MT2 (H2-3)			
201	Y		1	ta	PL 42x460	4 139	M270M-345MT2 (H2-3)			
201	A		1	tb	PL 56x460	10 974	M270M-HPS465MT2 (P2-26)			
201	B		1	tc	PL 56x460	6 096	M270M-HPS465MT2 (P2-26)			
201	O		1	td	PL 42x460	6 255	M270M-345MT2 (H2-3)			
201	Y		1	ba	PL 42x460	4 082	M270M-345MT2 (H2-3)			
201	A		1	bb	PL 56x460	10 974	M270M-HPS465MT2 (P2-26)			
201	B		1	bc	PL 56x460	6 096	M270M-HPS465MT2 (P2-26)			
201	N		1	bd	PL 42x460	6 332	M270M-345MT2 (H2-3)			
204	B		1	x21b	PL 25x200	1 452	M270M-345MT2 (H2-3)			
204	B		1	x21c	PL 25x200	1 452	M270M-345MT2 (H2-3)			
204	C		5	x21f	PL 14x200	1 450	M270M-345MT2 (H2-3)			
204	E		1	x21ab	PL 6x106	0 308	DRIP BRR M270M-345M			

NO WELD BETWEEN TOP FLANGE AND BEARING STIFFENERS AT THE PIERS TIGHT FIT ONLY



ONE - GIRDER - 205G1B (DEV.)

FOR FIELD SPLICE DETAILS SEE SHT.X20.
FOR GIRDER STANDARDS SEE SHT.X21.
FOR CAMBER DIAGRAM SEE SHT.C201.
FOR FLANGE DIAGRAM SEE SHT.F202.
FOR GENERAL NOTES SEE SHT.GN1.



TVGA CONSULTANTS

NO EXCEPTIONS TAKEN REJECTED
FURNISH AS CORRECTED
REVISE AND RESUBMIT
ENGINEER has reviewed Shop Drawings and Samples and other data which Contractor is required to submit for conformance with the information given in the Contract Documents and compatibility with the design concept of the completed project as a functioning whole as indicated in the Contract Documents. Such reviews do not extend to means, methods, techniques, sequences or procedures of construction or to safety precautions and programs, incident thereto. Such reviews do not extend to any LEED certification or accreditation. Contractor is responsible for dimensions to top confirmed level and elevations in the job site for information that pertains solely to the fabrication, processes or to techniques of construction, and for coordination of the work of all trades.

By: [Signature] 11-05-09
DATE: 11-05-09

09/08	ADDED FLG SPLICE TO 56mm FLGS	EEO	DO	6-22-09		
REV.	DATE	REMARKS	DWN	CHK	APVL	SHOP
MATERIAL: M270M-345M (UN)		SURFACE PREP. & PAINT: SEE DWG GNI		HOLES: 15/16" Ø		SHOP BOLTS: NONE
DESCRIPTION: GIRDER - 205G1B						
CASCO BAY STEEL STRUCTURES, INC. 75 SPRING HILL ROAD SACO, MAINE 04072 PHONE (207) 282-7360 FAX. (207) 282-1179						
STRUCTURE: RAMP D VT RTE 279 OVER WALLOOMSAC RIVER BRIDGE NO. B15N BENNINGTON COUNTY			DRAWN: WR	DATE: 07/13		
LOCATION: BENNINGTON, VERMONT			CHKD: DO	DATE: 08/17		
PROJ NO. AC NH 019-1(51)	JOB NO. 408-2		DWG NO. 205		REV. A	
CUSTOMER: KUBRICKY CONSTRUCTION						