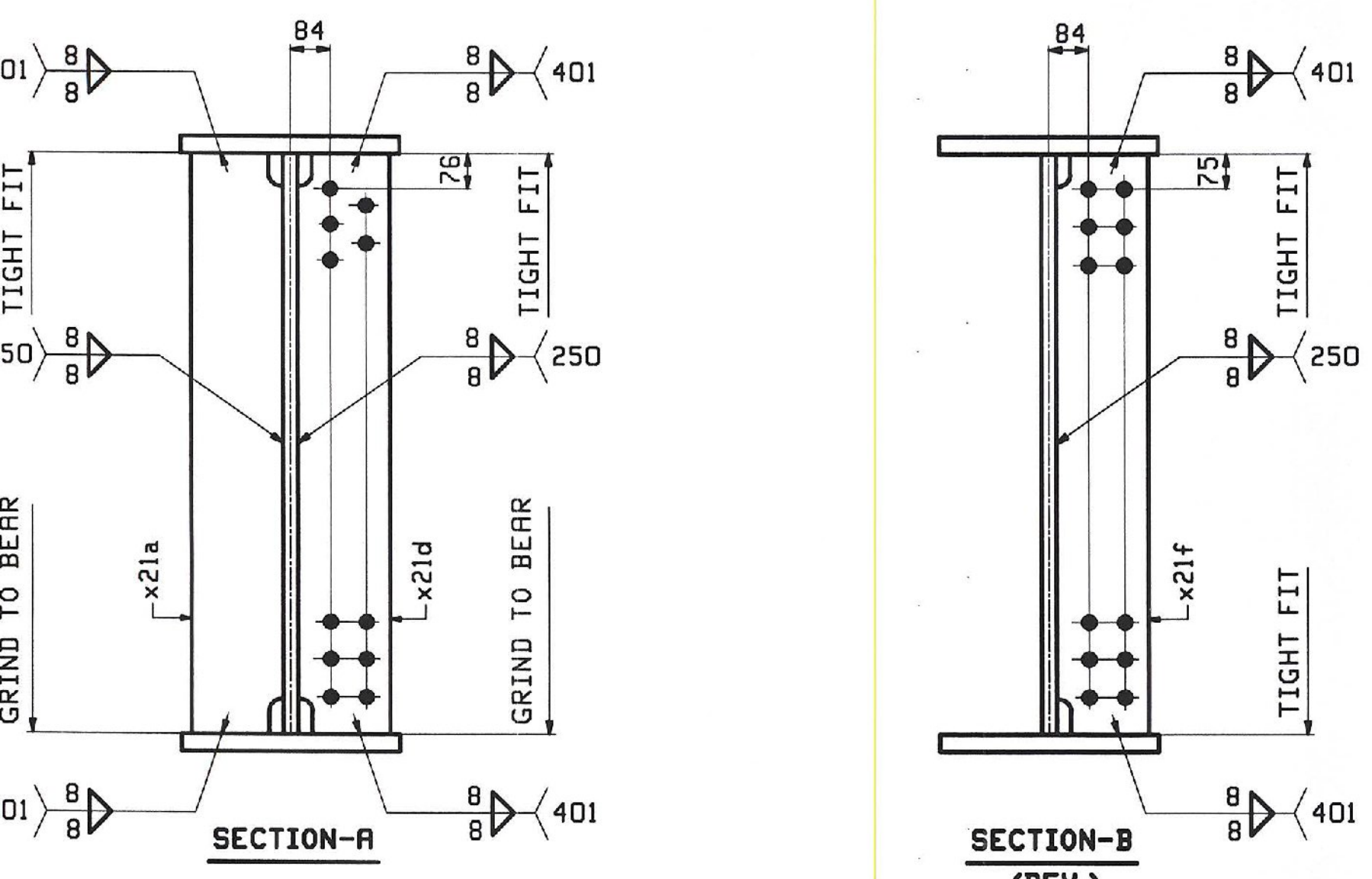
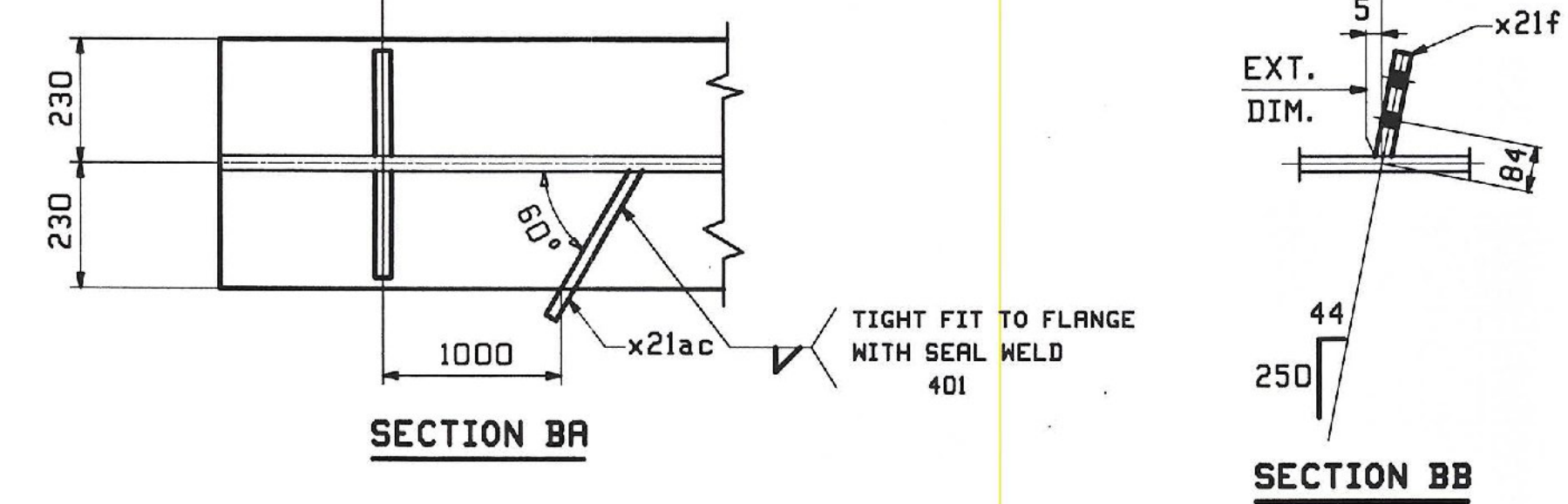


ABM INFO		BILL OF MATERIAL				JOB NO.		DRAWING NO.		REV.
PAGE	LINE	MARK	QTY	MARK	MATERIAL	LENGTH	REMARKS	WT	PROCUREMENT NOTES	
		204G4A	1		GIRDER				3002 * 35023 1/2	
203	A		1	ua	PL 18x1450	17 256	M270M-345WT2 (H2-3)			
202	N		1	wb	PL 18x1450	15 656	M270M-345WT2 (H2-3)			
202	C		1	ta	PL 25x450	16 866	M270M-345WT2 (H2-3)			
202	G		1	tb	PL 25x450	15 958	M270M-345WT2 (H2-3)			
201	G		1	ba	PL 42x450	16 866	M270M-345WT2 (H2-3)			
201	L		1	bb	PL 42x450	16 021	M270M-345WT2 (H2-3)			
204	B		1	x21a	PL 25x200	1 452	M270M-345WT2 (H2-3)			
204	B		1	x21d	PL 25x200	1 452	M270M-345WT2 (H2-3)			
204	C		6	x21f	PL 14x200	1 450	M270M-345WT2 (H2-3)			
204	D		1	x21ac	PL 6x92	0 308	M270M-345WT2 (H2-3)			

**ONE - GIRDER - 204G4A (DEV.)**

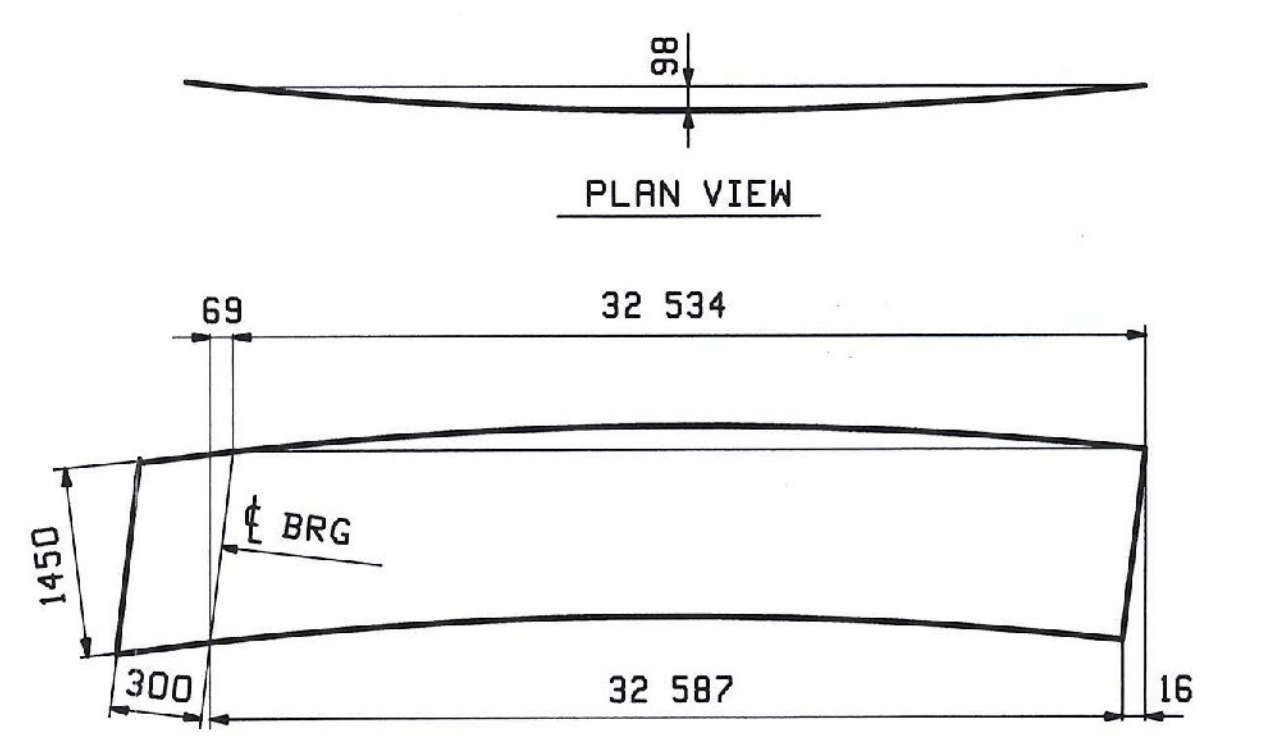
FOR FIELD SPLICE DETAILS SEE SHT.X20.  
 FOR GIRDER STANDARDS SEE SHT.X21.  
 FOR CAMBER DIAGRAM SEE SHT.C201.  
 FOR FLANGE DIAGRAM SEE SHT.F201.  
 FOR GENERAL NOTES SEE SHT.GN1.

Per Drawing BR 287 "Girder Elevation (Ramp D)" and VTRans Structures Design Manual Section 20.6; "Shop flange butt welds and Shop web butt welds shall preferably have a 600 mm offset".



FOR FIELD SPLICE DETAIL SEE X20M1 ON DRAWING X20

SEE CAMBER DIAGRAM



REV.	DATE	REMARKS	DMN	CHK	APVL	SHOP
D						SEP 04 2009
MATERIAL:		SURFACE PREP. & PAINT:		HOLES:		SHOP BOLTS:
M270M-345W (UN)		SEE DWG GN1		15/16" Ø		NONE
DESCRIPTION: GIRDER - 204G4A						
CASCO HILL BAY STEEL STRUCTURES, INC.						
75 SPRING HILL ROAD			SACO, MAINE 04072			
PHONE (207) 282-7360			FAX. (207) 282-1179			
STRUCTURE: RAMP D				DRAWN:	DATE:	
VT RTE 279 OVER WALLOOMSAC RIVER				WR	07/10	
BRIDGE NO. B15N				CHKD:	DATE:	
BENNINGTON COUNTY				DO	08/15	
LOCATION: BENNINGTON, VERMONT			JOB NO.	DWG NO.		
PROJ NO. AC NH 019-1(51)			408-2	204		
CUSTOMER: KUBRICKY CONSTRUCTION			REV. 0			

**TVGA CONSULTANTS**

NO EXCEPTIONS TAKEN  REJECTED  
 FURNISH AS CORRECTED  
 REVISE AND RESUBMIT  
 ENGINEER has reviewed Shop Drawings and Samples and other data which Contractor is required to submit, only for conformance with the information given in the Contract Documents and consistency with the design concept of the completed Project as a functioning whole as indicated in the Contract Documents. Such reviews do not extend to means, methods, techniques, sequences or procedures of construction or to safety precautions and programs incident thereto. Such reviews do not extend to any LEED certification or accreditation. Contractor is responsible for dimensions to be coordinated and controlled at the job site for construction that pertains solely to the fabrication processes or to techniques of construction, and for coordination of the work of all trades.  
 BY: *JSM*  
 DATE: 11-05-09