

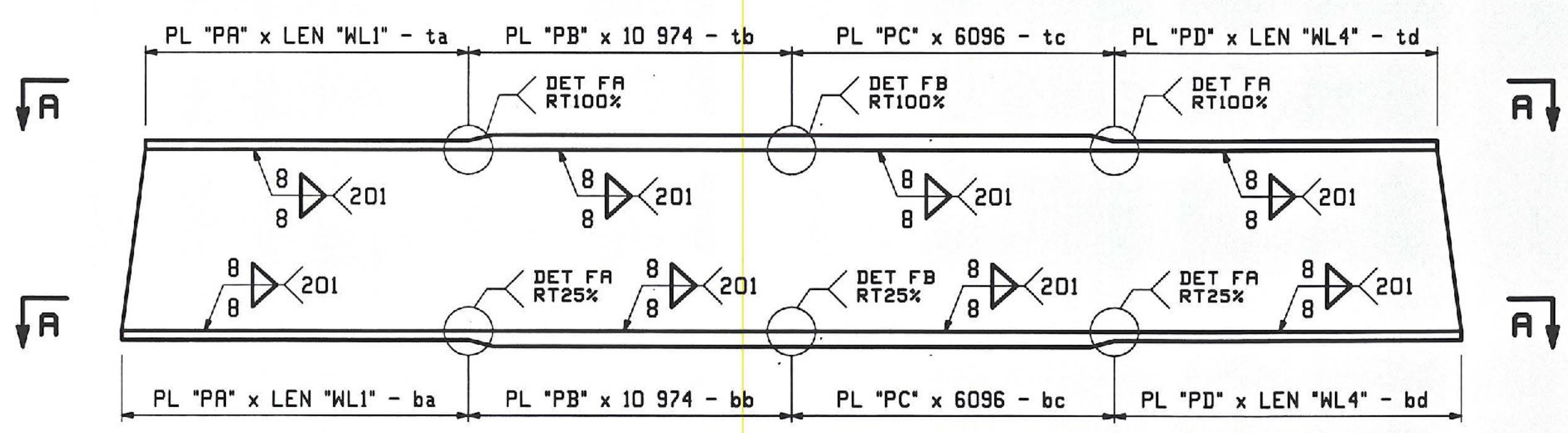
SECTION A-A

| LOCATION       | RAD       | ARC    | CHD    | AB  | DB  | WL1  | WL4  | PL PA (M270M-345WT2)          | PL PB (M270M-HPS485WT2)        | PL PC (M270M-HPS485WT2)        | PL PD (M270M-345WT2)          |
|----------------|-----------|--------|--------|-----|-----|------|------|-------------------------------|--------------------------------|--------------------------------|-------------------------------|
| 213G1D TOP FLG | 1 368 925 | 27 450 | 27 450 | 765 | 533 | 6117 | 4263 | PL 42 x 460-ta (H2-3) (201/S) | PL 56 x 460-tb (P2-26) (201/A) | PL 56 x 460-tc (P2-26) (201/B) | PL 42 x 460-td (H2-3) (201/W) |
| 213G1D BTM FLG | 1 368 925 | 27 471 | 27 471 | 758 | 543 | 6061 | 4340 | PL 42 x 460-ba (H2-3) (201/S) | PL 56 x 460-bb (P2-26) (201/A) | PL 56 x 460-bc (P2-26) (201/B) | PL 42 x 460-bd (H2-3) (201/U) |
| 214G2D TOP FLG | 1 371 375 | 27 450 | 27 450 | 765 | 533 | 6117 | 4263 | PL 42 x 460-ta (H2-3) (201/S) | PL 56 x 460-tb (P2-26) (201/A) | PL 56 x 460-tc (P2-26) (201/B) | PL 42 x 460-td (H2-3) (201/W) |
| 214G2D BTM FLG | 1 371 375 | 27 472 | 27 472 | 758 | 543 | 6061 | 4341 | PL 42 x 460-ba (H2-3) (201/S) | PL 56 x 460-bb (P2-26) (201/A) | PL 56 x 460-bc (P2-26) (201/B) | PL 42 x 460-bd (H2-3) (201/U) |
| 215G3D TOP FLG | 1 373 825 | 27 450 | 27 450 | 765 | 533 | 6117 | 4263 | PL 42 x 460-ta (H2-3) (201/S) | PL 56 x 460-tb (P2-26) (201/A) | PL 56 x 460-tc (P2-26) (201/B) | PL 42 x 460-td (H2-3) (201/W) |
| 215G3D BTM FLG | 1 373 825 | 27 472 | 27 472 | 758 | 543 | 6060 | 4342 | PL 42 x 460-ba (H2-3) (201/S) | PL 56 x 460-bb (P2-26) (201/A) | PL 56 x 460-bc (P2-26) (201/B) | PL 42 x 460-bd (H2-3) (201/U) |
| 216G4D TOP FLG | 1 376 275 | 27 450 | 27 450 | 765 | 533 | 6117 | 4263 | PL 42 x 460-ta (H2-3) (201/S) | PL 56 x 460-tb (P2-26) (201/A) | PL 56 x 460-tc (P2-26) (201/B) | PL 42 x 460-td (H2-3) (201/W) |
| 216G4D BTM FLG | 1 376 275 | 27 472 | 27 472 | 758 | 543 | 6060 | 4342 | PL 42 x 460-ba (H2-3) (201/S) | PL 56 x 460-bb (P2-26) (201/A) | PL 56 x 460-bc (P2-26) (201/B) | PL 42 x 460-bd (H2-3) (201/U) |

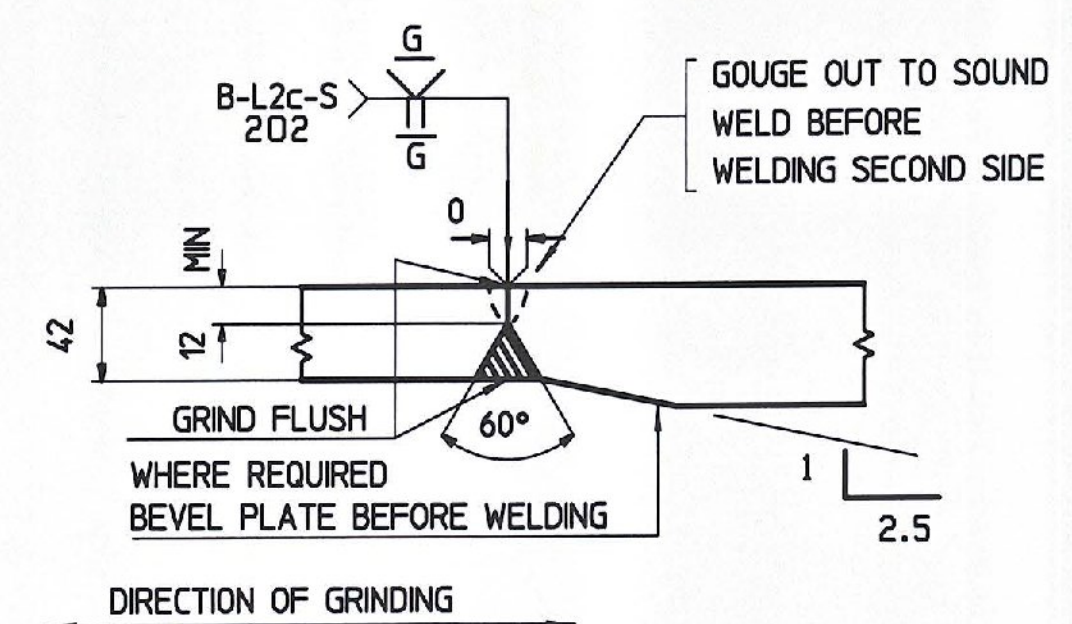
TVGA CONSULTANTS

NO EXCEPTIONS TAKEN  REJECTED  
 FURNISH AS CORRECTED   
 REVISE AND RESUBMIT   
 ENGINEER has reviewed Shop Drawings and Samples and other data which Contractor is required to submit only for conformance with the information given in the Contract Documents and compliance with the design concept of the completed Project as a functioning whole as indicated in the Contract Documents. Such reviews do not extend to means, methods, techniques, sequences or procedures of construction or to safety practices and programs incident thereto. Such reviews do not extend to any LEED certification or certification. Contractor is responsible for dimensions to be confirmed and corrected at the jobsite. For information that pertains solely to the fabrication processes or to techniques of construction, and for consideration of the work of all trades.  
 BY: *[Signature]*  
 DATE: 11-05-09

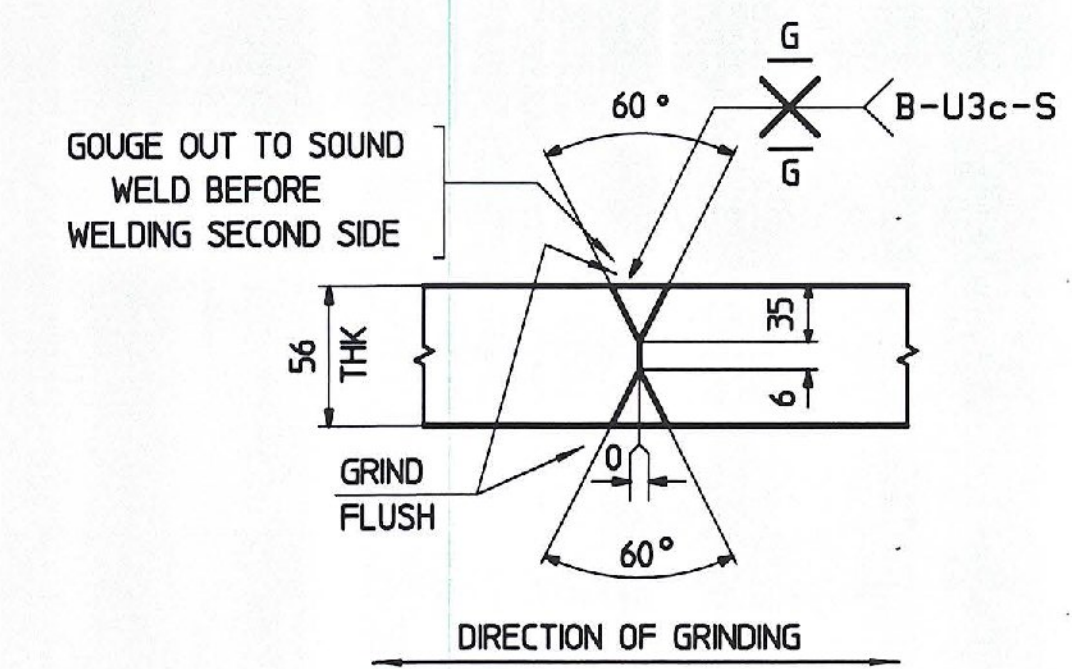
- NOTES:
1. All MATL M270M, GR345W UNLESS OTHERWISE NOTED
  2. FOR GENERAL NOTES SEE SH7 GM1
  3. H2-3 DENOTES MATERIAL SUBJECT TO CHARPY V NOTCH TESTING  
 ZONE 2, H FREQ, 20 J @ 4 deg C (15 FI/lbs @ 40 deg F)
  4. P2-26 DENOTES MATERIAL SUBJECT TO CHARPY V NOTCH TESTING  
 ZONE 2, P FREQ, 34 J @ -23 deg C (25 FI/lbs @ -10 deg F)



FLANGE DIAGRAM FOR 213G1D, 214G2D, 215G3D, 216G4D



FLANGE PLATE SPICE DETAIL 'FA'



FLANGE PLATE SPICE DETAIL 'FB'

| 08/08   | ADDED FLG SPLICE TO 56mm FLGS | EEO      | DO  | 9-22-09       |              |
|---|-------------------------------|----------|-----|---------------|--------------|
| REV. DATE   | REMARKS                       | DWN      | CHK | APVL          | SHOP         |
|   | SURFACE PREP. & PAINT:        | HOLES:   |     | SHOP BOLTS:   |              |
|   |                               | AS NOTED |     | AS NOTED      |              |
| DESCRIPTION: FLANGE DIAGRAM   |                               |          |     |               |              |
| CASCO BAY STEEL STRUCTURES, INC.<br>75 SPRING HILL ROAD SACO, MAINE 04072<br>PHONE (207) 282-7360 FAX. (207) 282-1179 |                               |          |     |               |              |
| STRUCTURE: RAMP D<br>VT RTE 279 OVER WALLOOMSAC RIVER<br>BRIDGE NO. B15N<br>BENNINGTON COUNTY                         |                               |          |     | DRAWN: KC     | DATE: 06/30  |
| LOCATION: BENNINGTON, VERMONT   |                               |          |     | CHKD: WJL     | DATE: 07/09  |
| PROJ NO. AC NH 019-1(51)  |                               |          |     | JOB NO. 408-2 | DWG NO. F204 |
| CUSTOMER: KUBRICKY CONSTRUCTION   |                               |          |     | REV.:         | △            |

11/10/09 10:53 AM C:\Users\jshelton\Documents\2104-1.dwg