

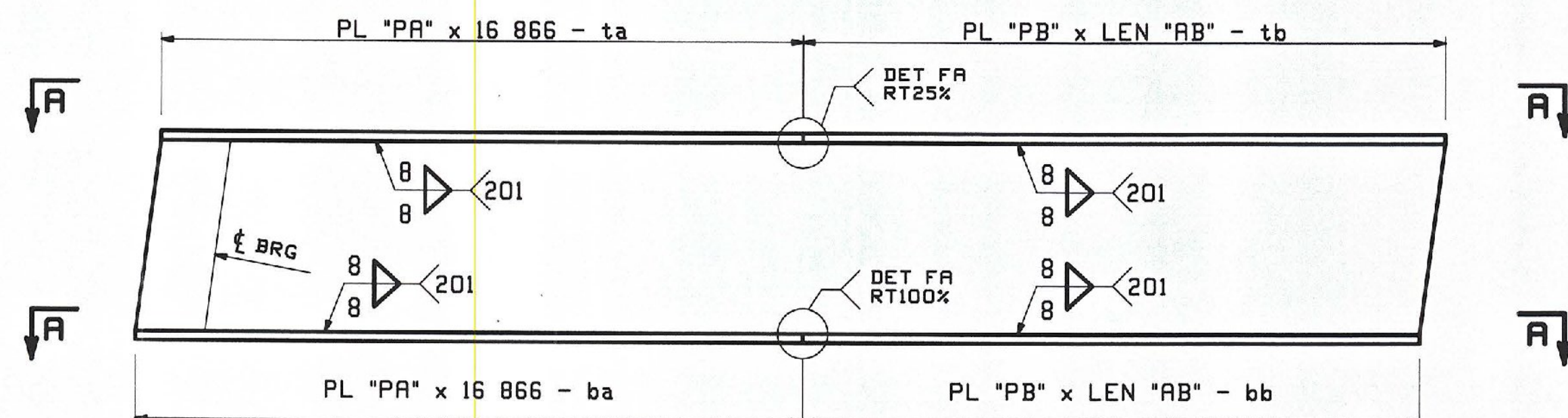
SECTION A-A

LOCATION	RAD	ARC	CHD	AB	B8	CB	WL2	PL PA (M270M-345WT2)	PL PB (M270M-345WT2)
201G1A TOP FLG	1 368 925	32 842	32 841	15 976	1997	15 976	15 976	PL 25 x 460-ta (H2-3) (202/C)	PL 25 x 460-tb (H2-3) (202/G)
201G1A BTM FLG	1 368 925	32 896	32 895	16 030	2004	16 030	16 030	PL 42 x 460-ba (H2-3) (201/G)	PL 42 x 460-bb (H2-3) (201/L)
202G2A TOP FLG	1 371 375	32 841	32 840	15 975	1997	15 975	15 975	PL 25 x 460-ta (H2-3) (202/C)	PL 25 x 460-tb (H2-3) (202/G)
202G2A BTM FLG	1 371 375	32 893	32 892	16 027	2003	16 027	16 027	PL 42 x 460-ba (H2-3) (201/G)	PL 42 x 460-bb (H2-3) (201/L)
203G3A TOP FLG	1 373 825	32 838	32 837	15 972	1997	15 972	15 972	PL 25 x 460-ta (H2-3) (202/C)	PL 25 x 460-tb (H2-3) (202/G)
203G3A BTM FLG	1 373 825	32 891	32 890	16 025	2003	16 025	16 025	PL 42 x 460-ba (H2-3) (201/G)	PL 42 x 460-bb (H2-3) (201/L)
204G4A TOP FLG	1 376 275	32 834	32 833	15 968	1996	15 968	15 968	PL 25 x 460-ta (H2-3) (202/C)	PL 25 x 460-tb (H2-3) (202/G)
204G4A BTM FLG	1 376 275	32 887	32 886	16 021	2003	16 021	16 021	PL 42 x 460-ba (H2-3) (201/G)	PL 42 x 460-bb (H2-3) (201/L)

TVGA CONSULTANTS

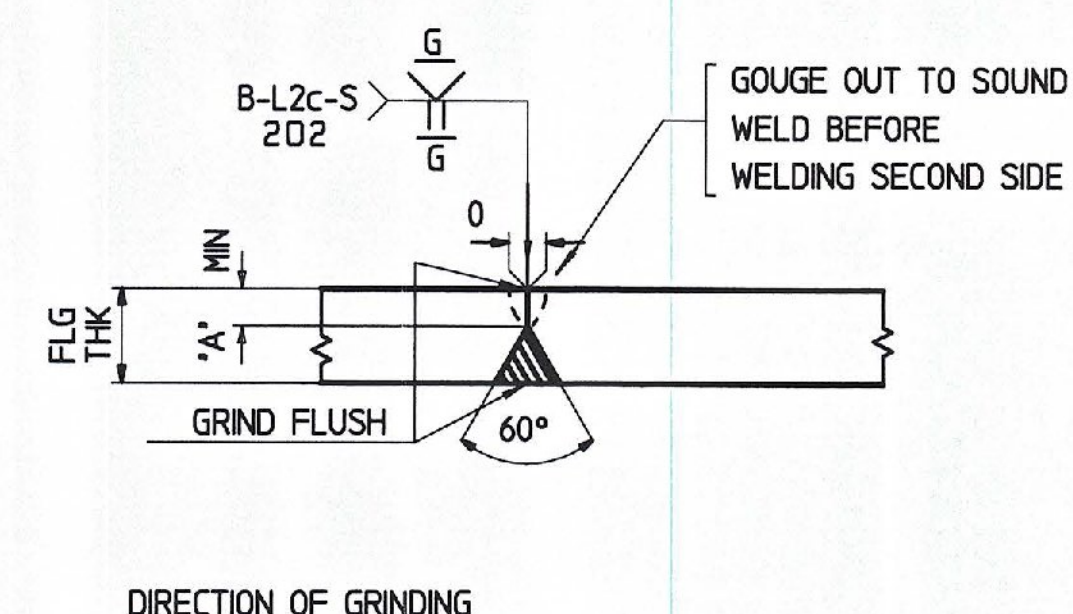
NO EXCEPTIONS TAKEN REJECTED
 FURNISH AS CORRECTED
 REVISE AND RESUBMIT
 ENGINEER has reviewed Shop Drawings and Samples and other data which Contractor is required to submit, for compliance with the information given in the Contract Documents and compatibility with the design concept of the completed Project as a functioning whole as indicated in the Contract Documents. Such review is not intended to verify methods, techniques, sequences or procedures of construction or to safety precautions and programs incident thereto. Such reviews do not extend to any LEED certification or accreditation. Contractor is responsible for dimensions to be confirmed and correct as at the job site for information that permits review by the Consultant consistent with the objectives of construction and for coordination of the work of all trades.
 BY: JSM
 DATE: 11-05-09

- NOTES:
1. ALL MATL M270M, GR345W UNLESS OTHERWISE NOTED
 2. FOR GENERAL NOTES SEE SH1 GM1
 3. H2-3 DENOTES MATERIAL SUBJECT TO CHARPY V NOTCH TESTING ZONE 2, H FREQ, 20 J @ 4 deg C (15 F/lbs @ 40 deg F)



FLANGE DIAGRAM FOR 201G1A, 202G2A, 203G3A, 204G4A

FLG THK	'A'
25	6
42	12



FLANGE PLATE SPLICE DETAIL 'FA'

REV.	DATE	REMARKS	DWN	CHK	APVL	SHOP
0						SEP 04 2009
MATERIAL:		SURFACE PREP. & PRINT:	HOLES:		SHOP BOLTS:	
			AS NOTED		AS NOTED	
DESCRIPTION: FLANGE DIAGRAM						
CASCO BAY STEEL STRUCTURES, INC.						
75 SPRING HILL ROAD			SACO, MAINE 04072			
PHONE (207) 282-7360			FAX (207) 282-1179			
STRUCTURE:		RAMP D	DRAWN:		DATE:	
		VT RTE 279 OVER WALLDOOMSAC RIVER	KC		06/30	
		BRIDGE NO. B15N	CHKD:		DATE:	
		BENNINGTON COUNTY	WJL		07/09	
LOCATION:		BENNINGTON, VERMONT	JOB NO.		DWG NO.	
PROJ NO.		AC NH 019-1(51)	408-2		F201	
CUSTOMER:		KUBRICKY CONSTRUCTION			REV. <input checked="" type="checkbox"/>	