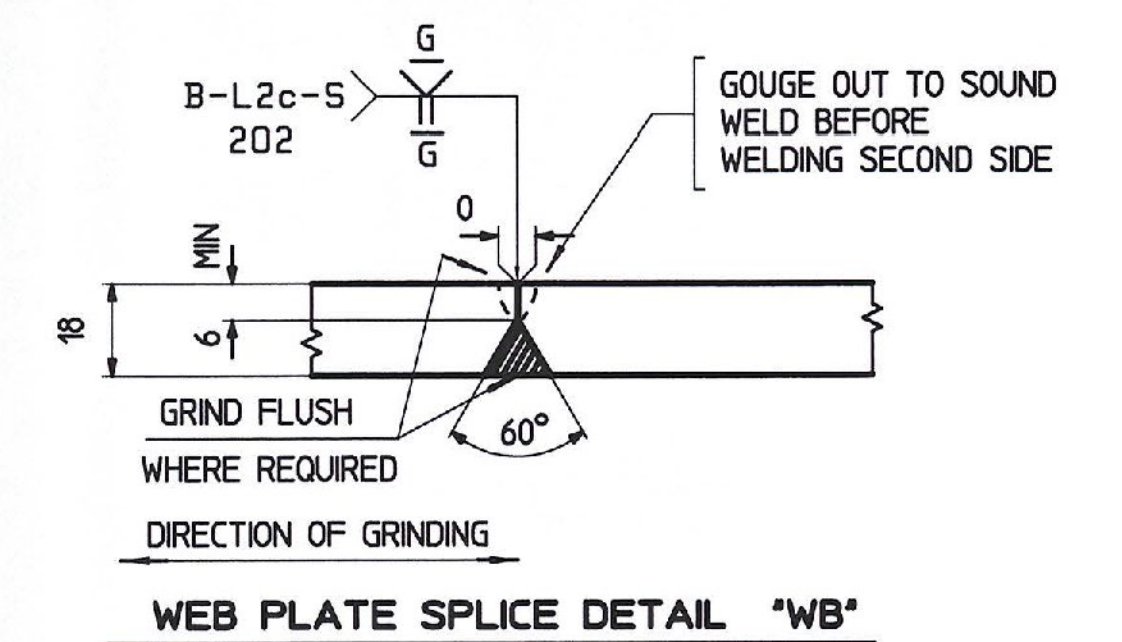


CAMBER DIAGRAM FOR 217G1E, 218G2E, 219G3E, 220G4E

MARK	TL	BL	WL1	WX1	SP1	C1	C2	C3	C4	C5	C6	C7	C8	C9	PG/LINE wa	PG/LINE wb
217G1E	32 805	32 695	15 748	15 765	105	35	67	90	103	104	97	80	58	31	202/ Q	203/ C
218G2E	32 798	32 688	15 741	15 758	108	37	70	94	107	108	100	84	61	32	202/ L	202/ U
219G3E	32 793	32 683	15 736	15 753	108	36	69	93	106	108	100	83	60	31	202/ L	202/ Y
220G4E	32 787	32 677	15 730	15 747	107	36	68	92	105	106	99	83	61	32	202/ L	202/ U



- NOTES:
1. ALL MATL M270M, GR345W UNLESS OTHERWISE NOTED
 2. FOR GENERAL NOTES SEE SH1 GM1
 3. H2-3 DENOTES MATERIAL SUBJECT TO CHARPY V NOTCH TESTING ZONE 2, H FREQ, 20 J @ 4 deg C (15 F/lbs @ 40 deg F)
 4. P2-26 DENOTES MATERIAL SUBJECT TO CHARPY V NOTCH TESTING ZONE 2, P FREQ, 34 J @ -23 deg C (25 F/lbs @ -10 deg F)

TVGA CONSULTANTS

NO EXCEPTIONS TAKEN
 FURNISH AS CORRECTED
 REJECTED
 REVISE AND RESUBMIT
 ENGINEER has reviewed Shop Drawings and Samples and other data which Contractor is required to submit, only for conformance with the information given in the Contract Documents and conformity with the design contained in the completed Project as a functioning whole as indicated in the Contract Documents. Such review does not extend to means, methods, techniques, sequences or procedures of construction or to safety precautions and practices incident thereto. Such reviews do not extend to any LEED certification or accreditation. Contractor is responsible for determining the conditions and compliance at the jobsite for information that pertains solely to the fabrication processes or to techniques of construction and coordination of the work of all trades.

BY: JSM
 DATE: 11-05-09

REV.	DATE	REMARKS	DWN	CHK	APVL	SHOP
0						SEP 04 2009
MATERIAL:			SURFACE PREP. & PAINT:		HOLES:	
			AS NOTED		SHOP BOLTS:	
			AS NOTED		AS NOTED	
DESCRIPTION: CAMBER DIAGRAM						
CASCO BAY STEEL STRUCTURES, INC.						
75 SPRING HILL ROAD			SACO, MAINE 04072			
PHONE (207) 282-7360			FAX. (207) 282-1179			
STRUCTURE: RAMP D VT RTE 279 OVER HALLOOMSAC RIVER BRIDGE NO. B15N BENNINGTON COUNTY					DRAWN: KC	DATE: 06/30
LOCATION: BENNINGTON, VERMONT					CHKD: WJL	DATE: 07/09
PROJ NO. AC NH 019-1(S1)					JOB NO. 408-2	DWG NO. C203
CUSTOMER: KUBRICKY CONSTRUCTION					REV. <u>Δ</u>	