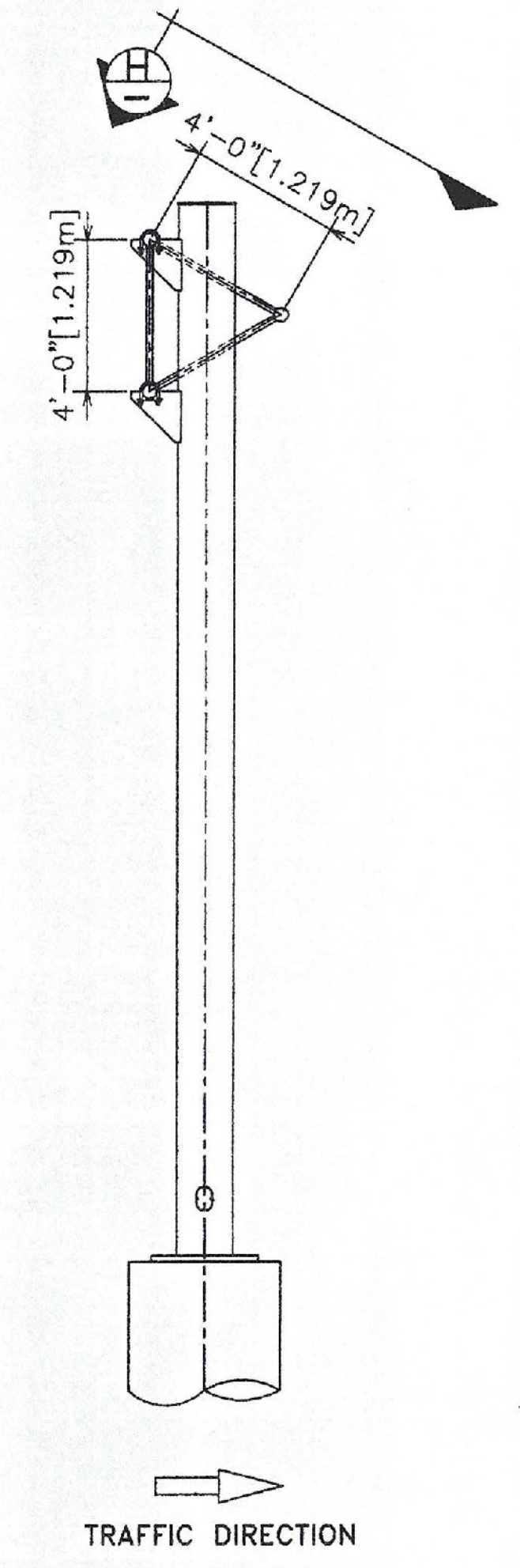
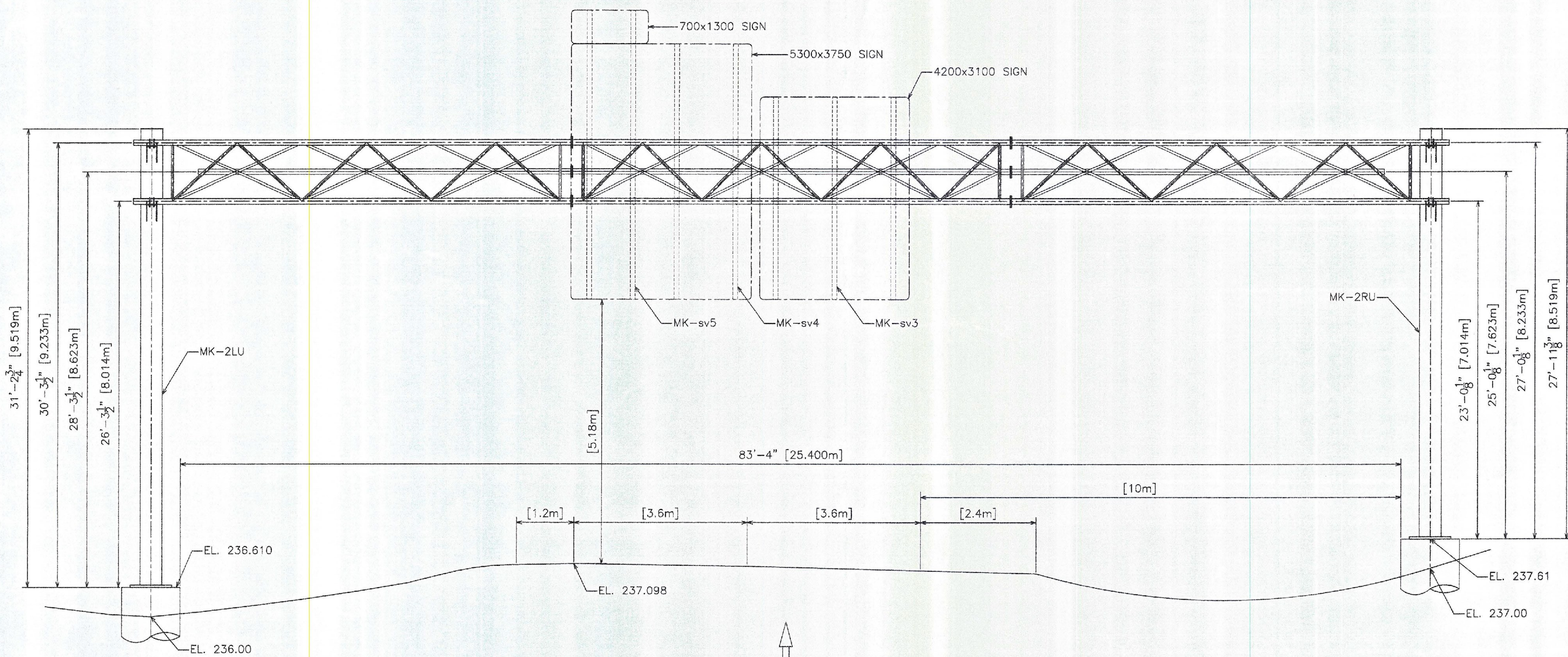
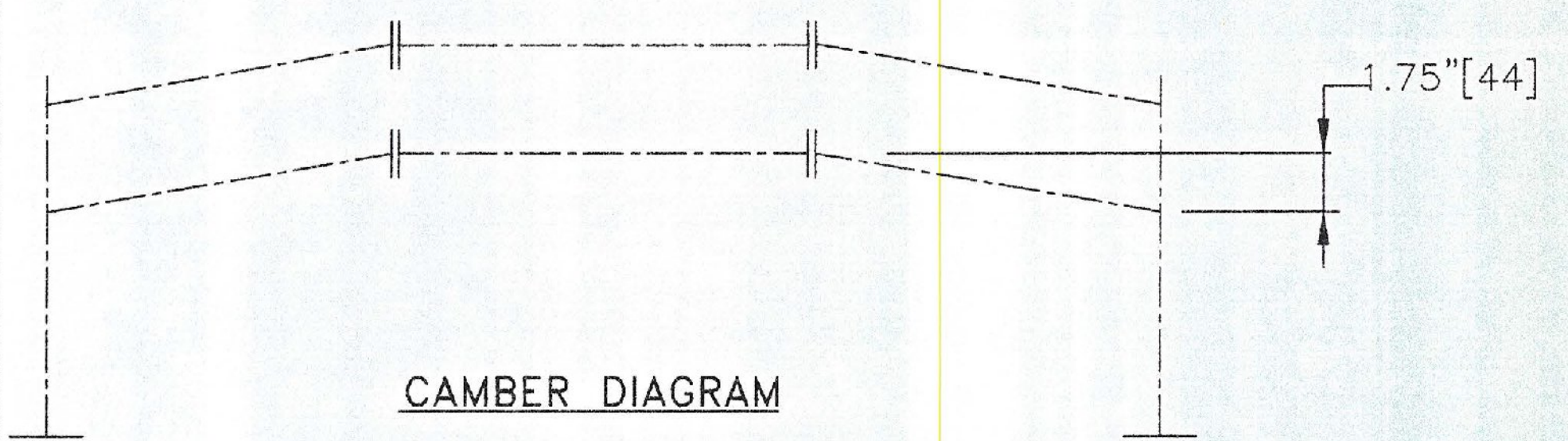


**SIGN MOUNTING DETAIL**  
VERTICAL HANGER BEAMS & U-BOLTS INCLUDED



TRAFFIC DIRECTION

TRAFFIC DIRECTION  
ELEVATION  
LOOKING AT FACE OF SIGN

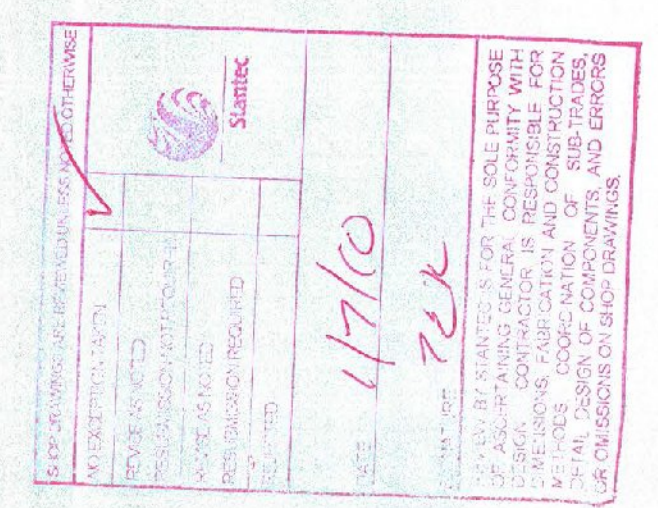


CAMBER DIAGRAM

**NOTE:**  
CAMBER WILL BE ACHIEVED BY SHORTENING LOWER CHORD PIPES BY AN AMOUNT SUCH THAT POSITIVE UPWARD DEFLECTION IS PRODUCED WHEN TRUSSES ARE BROUGHT TOGETHER AT SPLICES.

DIMENSIONS SHOWN [ ] ARE IN MILLIMETER UNLESS OTHERWISE NOTED.

REVISIONS		
No.	Remarks	Date
0	Initial submittal	



**HIGHWAY SAFETY CORP.**  
GLASTONBURY, CT

OVERHEAD SIGN STRUCTURE NB 9+260.0  
WWII VETERANS MEMORIAL HIGHWAY  
COUNTY OF BENNINGTON  
VT ROUTE 279, PRINCIPAL ARTERIAL  
BENNINGTON AC NH 019-1(51)

DRAWN: MHM  
CHECKED: [Signature]  
DATE: 10/1/09  
SCALE: N.T.S.  
FISC REFERENCE NO.: 1724b  
SIZE: D REVISION: 0  
SHEET NO.: 1 of 5

GENERAL CONTRACTOR: [Blank]  
SUB CONTRACTOR: F.R. LAFAYETTE