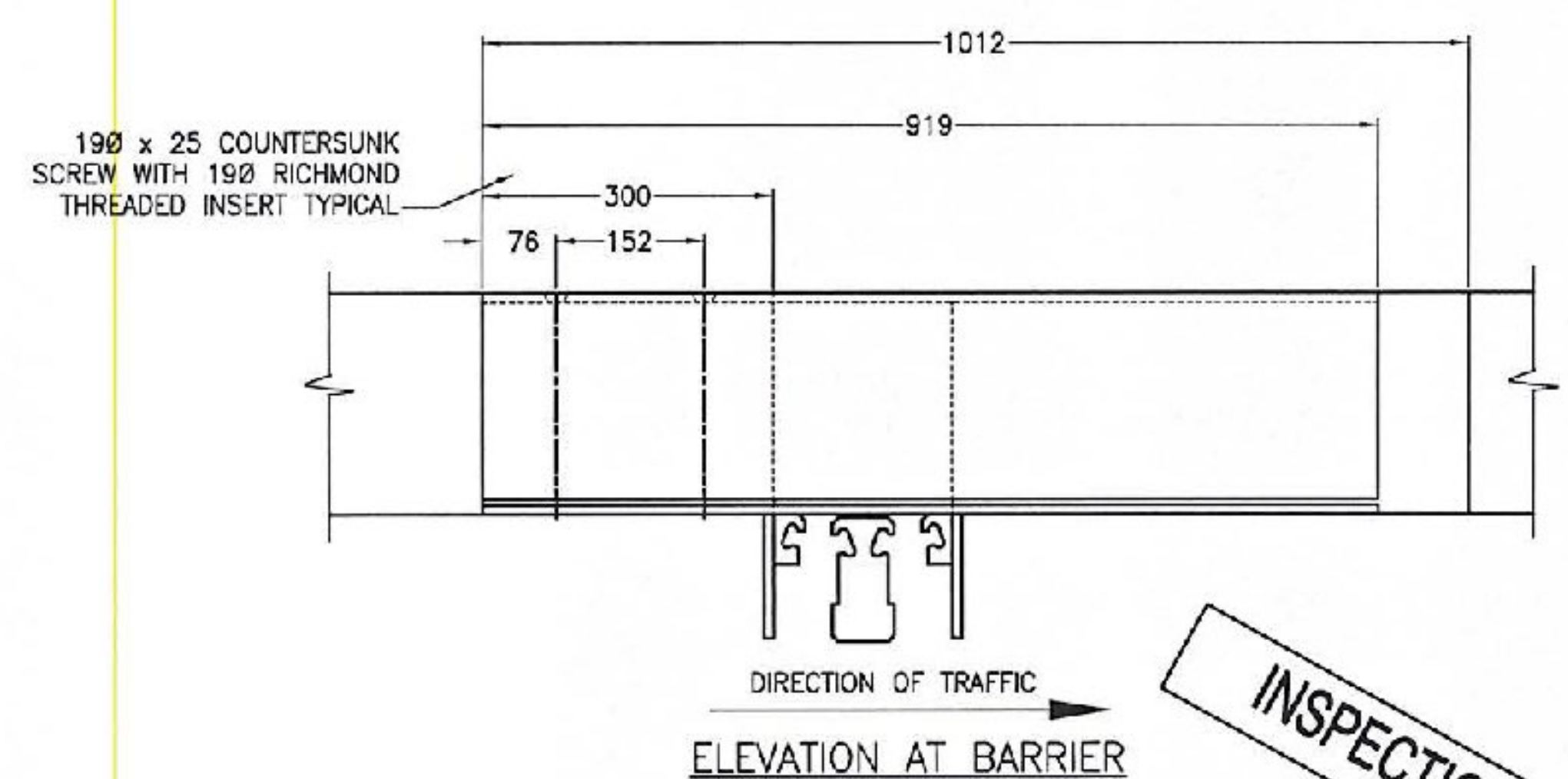
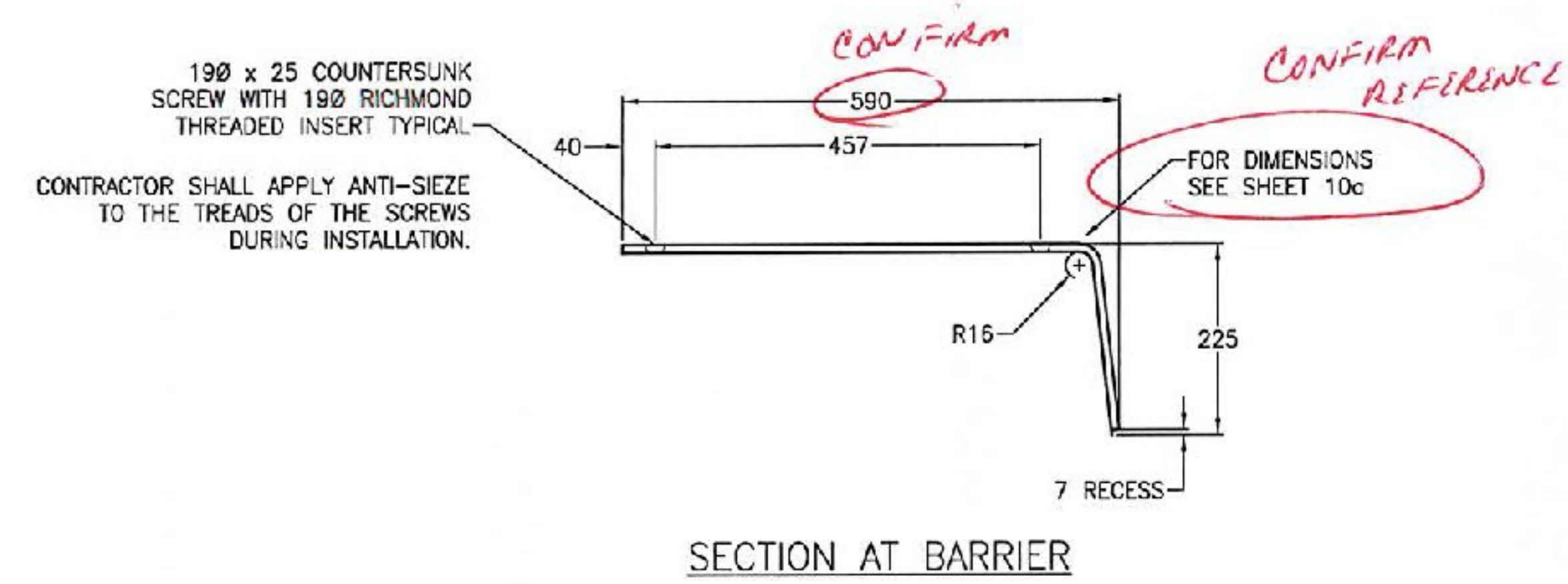
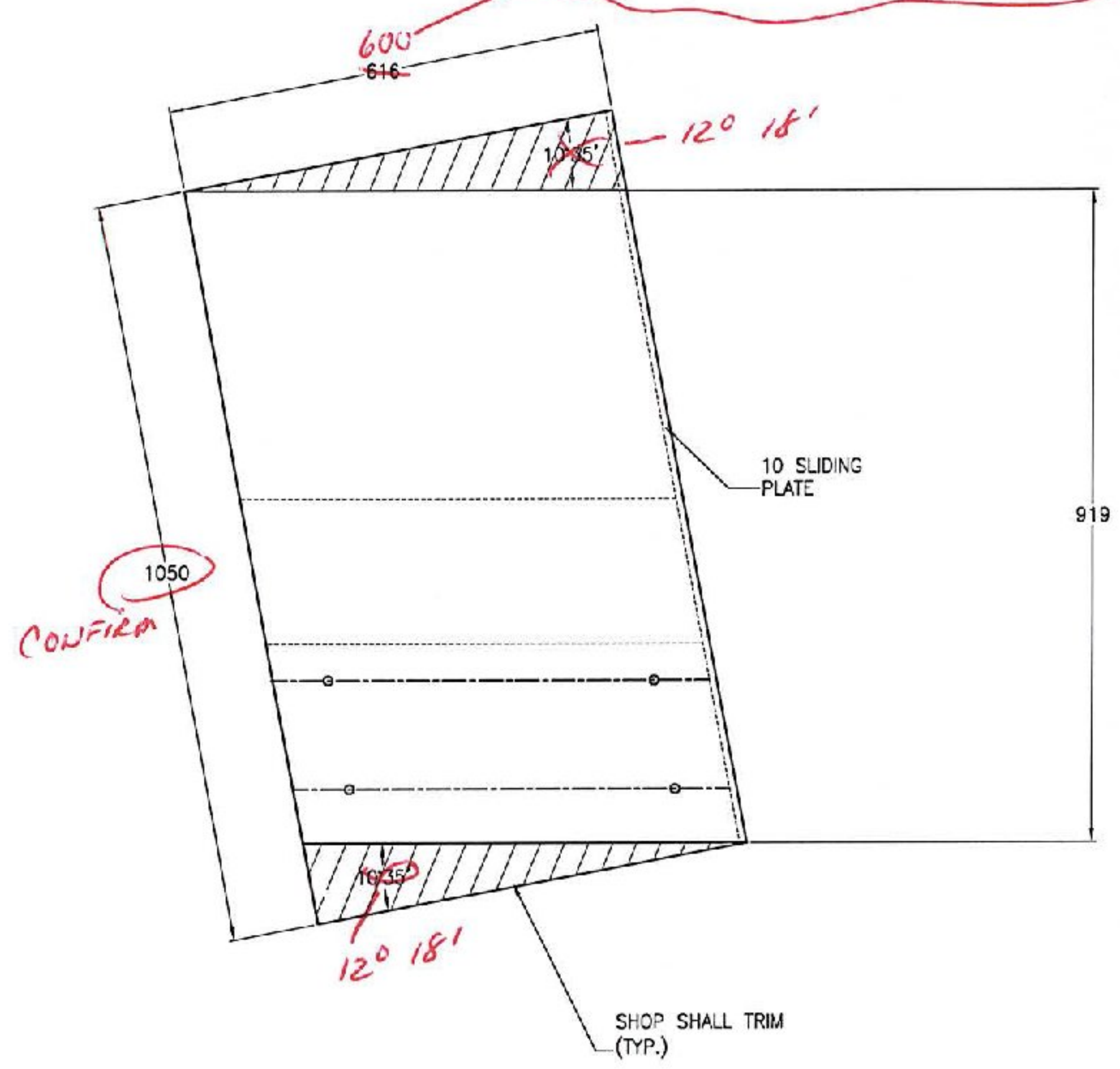


THIS DIM SHOULD EQUAL THE CURB WIDTH



**TVGA CONSULTANTS**

- NO EXCEPTIONS TAKEN
- REJECTED
- FURNISH AS CORRECTED
- REVISE AND RESUBMIT

ENGINEER has reviewed Shop Drawings and Samples and other data which Contractor is required to submit, only for conformance with the information given in the Contract Documents and compatibility with the design concept of the completed Project as a functioning whole as indicated in the Contract Documents. Such reviews do not extend to means, methods, techniques, sequences or procedures of construction or to safety precautions and programs incident thereto. Such reviews do not extend to any LEED certification or accreditation. Contractor is responsible for dimensions to be confirmed and correlated at the job site; for information that pertains solely to the fabrication processes or to techniques of construction; and for coordination of the work of all trades.

BY: *[Signature]*  
DATE: 6/1/2010

**INSPECTION REQUIRED**

SEE SHEET 11 FOR ADDITIONAL INFORMATION

ITEM NUMBER	2e1
MARK SYSTEM	

DRAWING ACTION:  
**SUBMITTED FOR APPROVAL**  
1/20/10

DATE	12/23/09
DATE	1/7/10
DATE	126770
DATE	B-27574



PROJECT: WWII VETERAN'S MEMORIAL HIGHWAY  
VT ROUTE 279, PRINCIPAL ARTERIAL  
WBA MODULAR STM-600 EXPANSION JOINT DETAILS

DATE	12/23/09
DATE	1/7/10
DATE	126770
DATE	B-27574