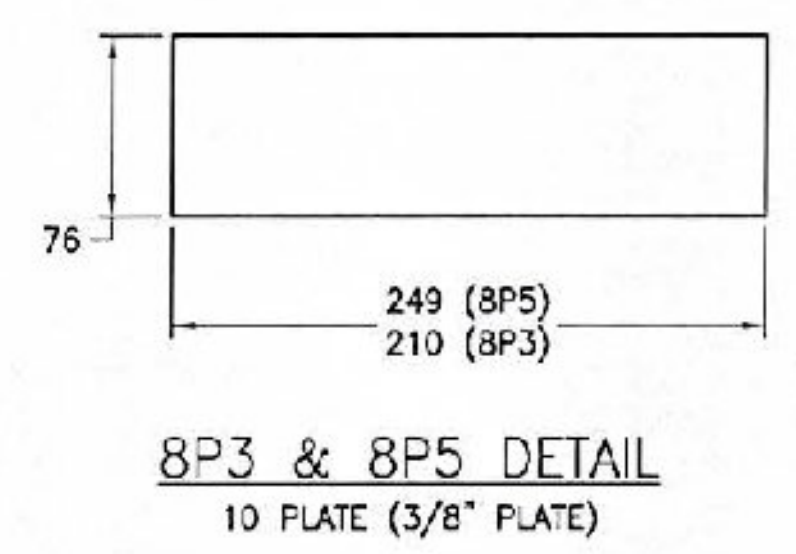
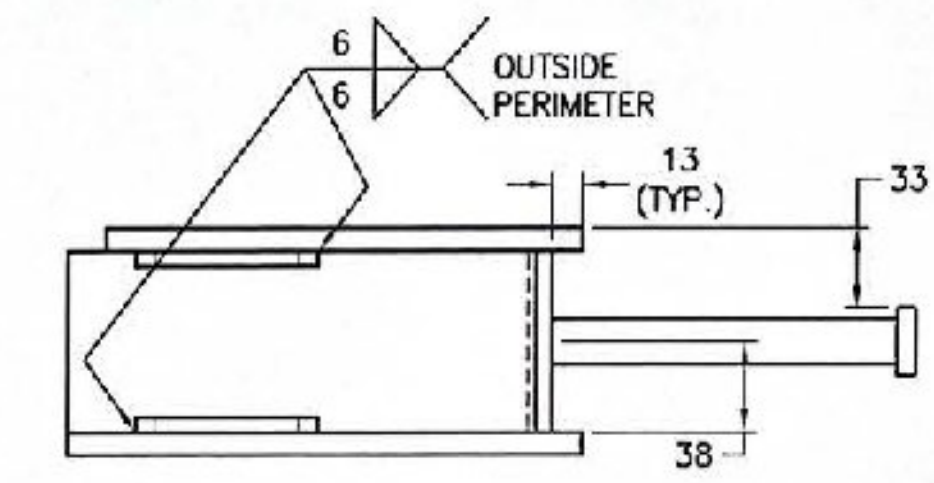
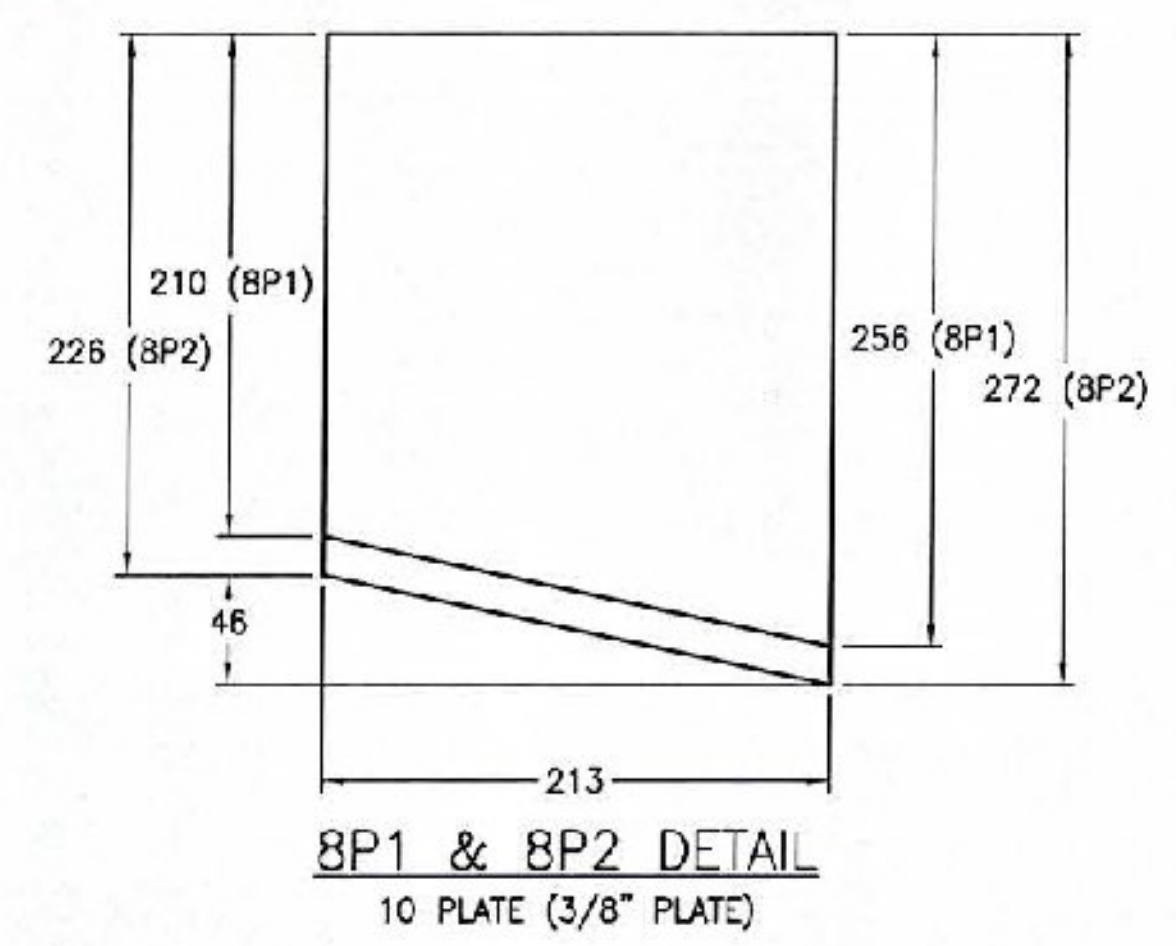


THIS DETAIL WILL CHANGE BASED ON COMMENTS ON SHEETS 2+5



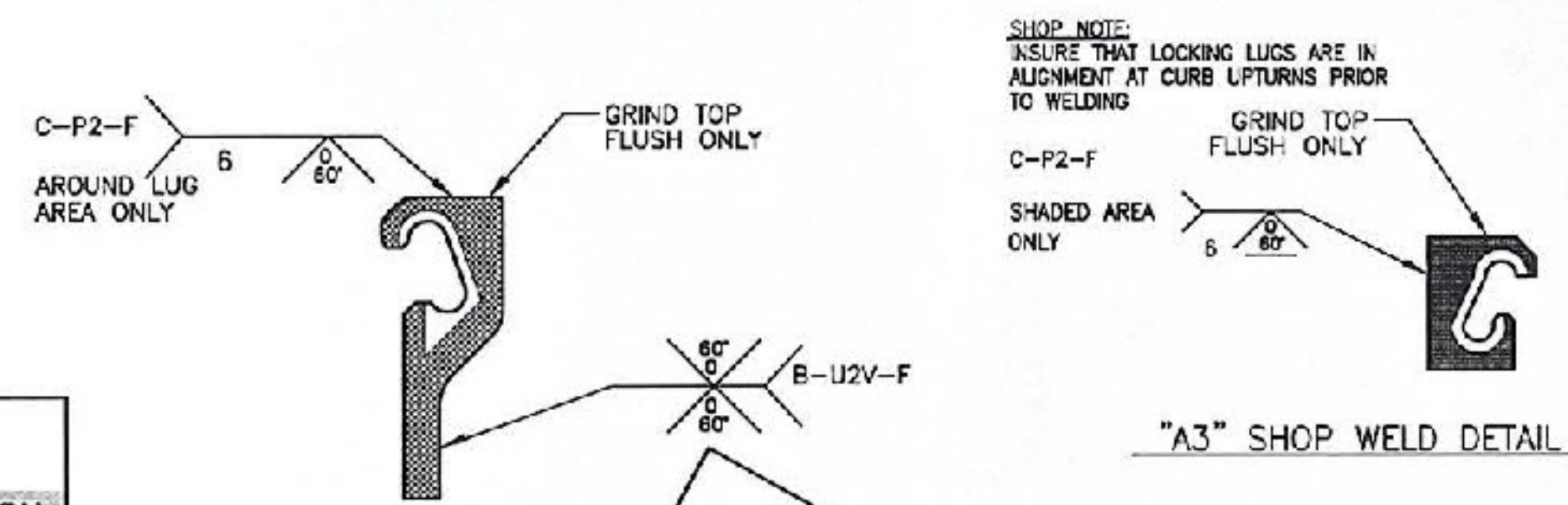
SUPPORT BOX ASSEMBLY
STR126770P1S203

TVGA CONSULTANTS

- NO EXCEPTIONS TAKEN
- FURNISH AS CORRECTED
- REVISE AND RESUBMIT
- REJECTED

ENGINEER has reviewed Shop Drawings and Samples and other data which Contractor is required to submit, only for conformance with the information given in the Contract Documents and compatibility with the design concept of the completed project as a functioning whole as indicated in the Contract Documents. Such reviews do not extend to means, methods, techniques, sequences or procedures of construction or to safety precautions and programs incident thereto. Such reviews do not extend to any LEED certification or accreditation. Contractor is responsible for dimensions to be confirmed and correlated at the job site; for information that pertains solely to the fabrication processes or to techniques of construction; and for coordination of the work of all trades.

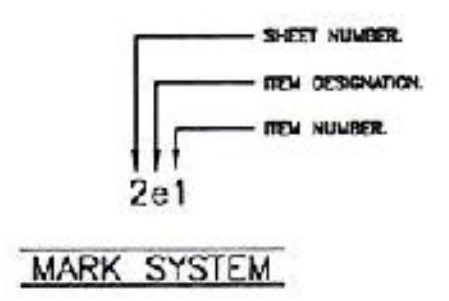
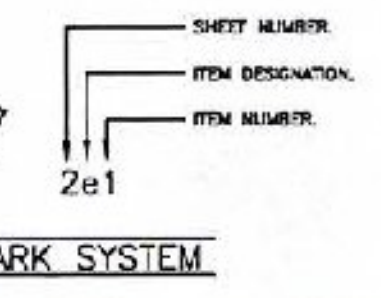
BY: *[Signature]*
DATE: 6/17/10



INSPECTION REQUIRED

STRUCTURED BILL OF MATERIALS						
LV	PART NO.	QTY	UM	DESCRIPTION	CLASS	MATERIAL
0	STR126770AA04	1	EA	STR-600 LOW HEIGHT SUPPORT BOX (X)		UNCOATED
1	3550	16.50	KG	PLATE 10 A 588	A	ASTM A-588
1	STR126770AA04A	1.00	EA	SUPPORT BOX HARDWARE PARTS (U)		
2	4640	2.00	EA	CON ANC ST 5/8 x 8 AW 108-*	A	ASTM A-36
2	4286	2.00	EA	MOD BEARING KPR RING A22201*(W)	A	ASTM A-500 GRADE B

VERMONT AGENCY OF TRANSPORTATION
COUNTY: BENNINGTON
PROJECT NO.: AC NH 019-1(51)
CAPITAL PROJECT ID NO.:
BRIDGE NO.: B15, B15N, B15S
WBA PRODUCT DESCRIPTION: MODULAR
WBA PRODUCT NO.: STM126770AA



DRAWING ACTION:
SUBMITTED FOR APPROVAL
1/20/10

NO.	DESCRIPTION	DATE



Watson Bowman Acme Corp.
50 Providence Drive
Academ, NY 14229
phone: (716) 521-7266
fax: (716) 521-9223
www.wbacorp.com



DATE: 12/23/09
CHECKED BY: TEB
DATE: 1/7/10

PROJECT: WWII VETERAN'S MEMORIAL HIGHWAY
VT ROUTE 279, PRINCIPAL ARTERIAL
WBA MODULAR STM-600 EXPANSION JOINT DETAILS
8 of 14
B-27574