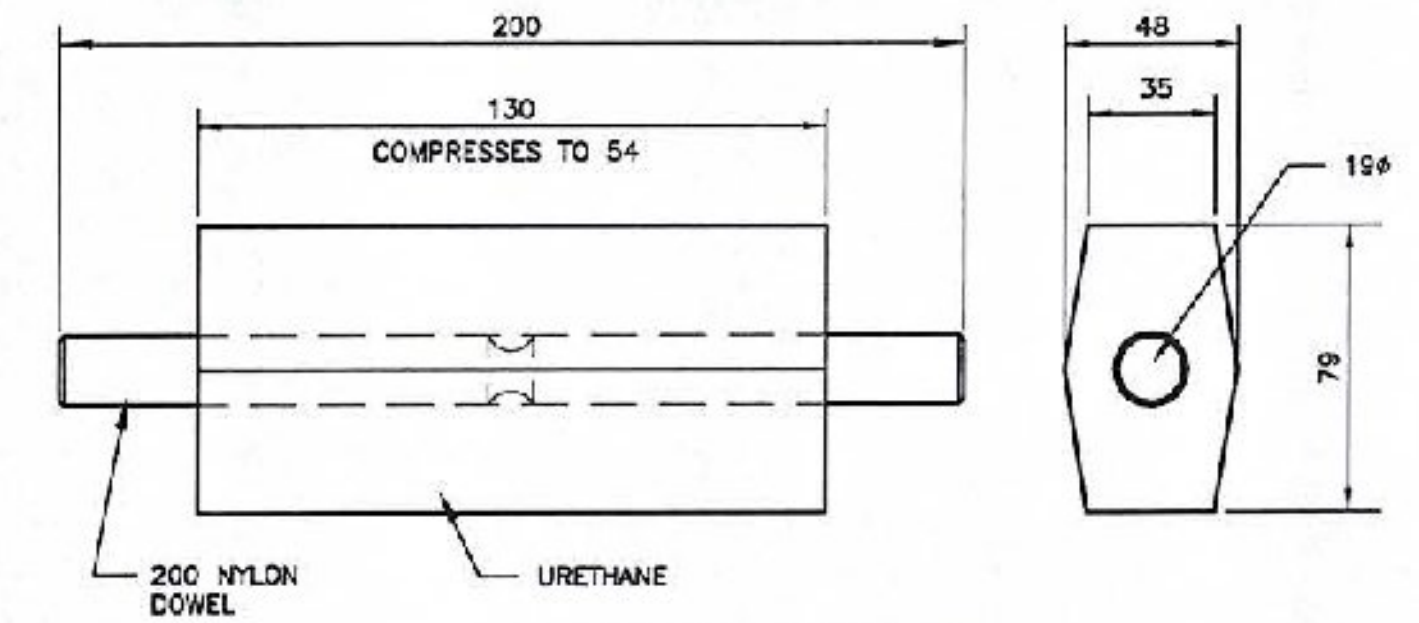
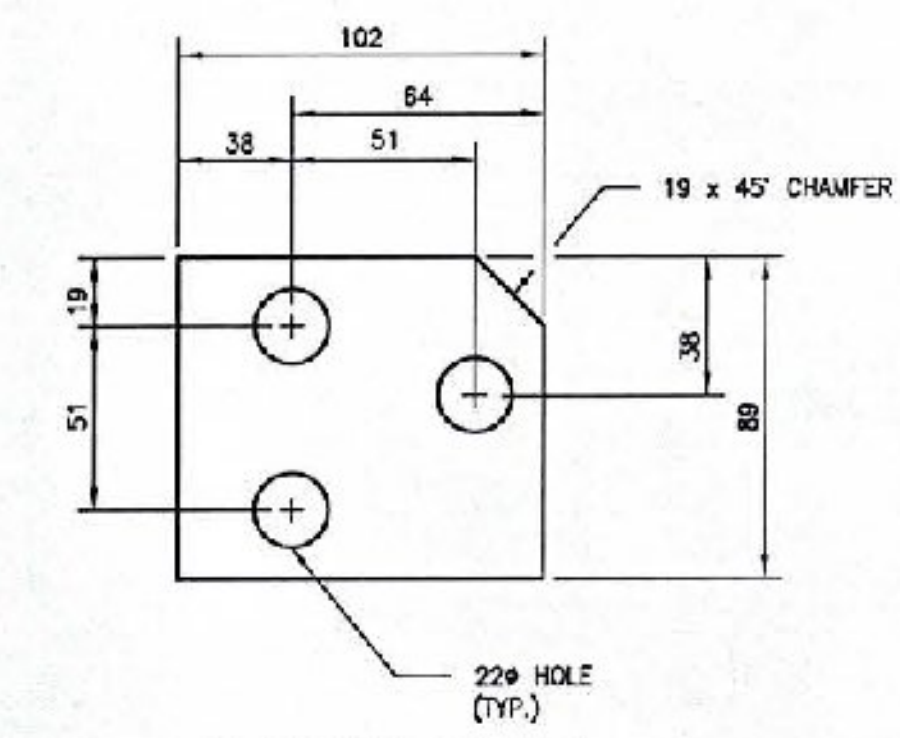


SUPPORT BOX PLAN VIEW

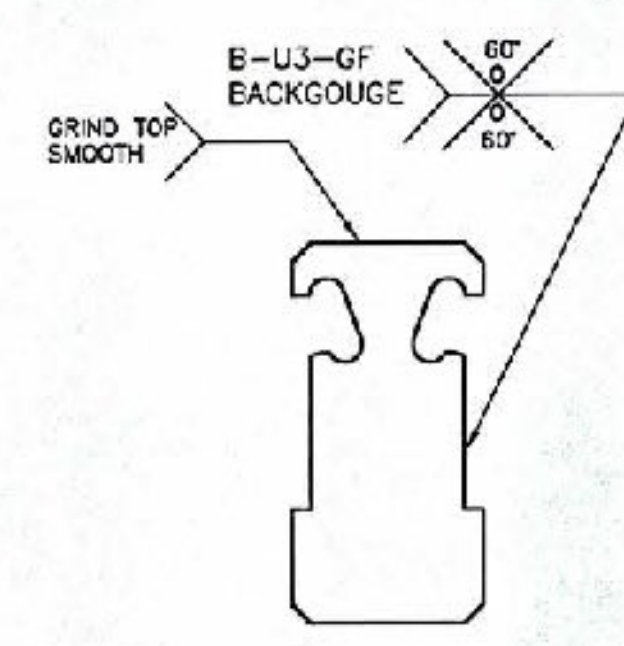
SUPPORT BOX PLAN VIEW WITHOUT CONTROL SPRING



CONTROL SPRING



HOLDING PLATE



SHOP WELD DETAIL

TVGA CONSULTANTS

NO EXCEPTIONS TAKEN REJECTED

FURNISH AS CORRECTED

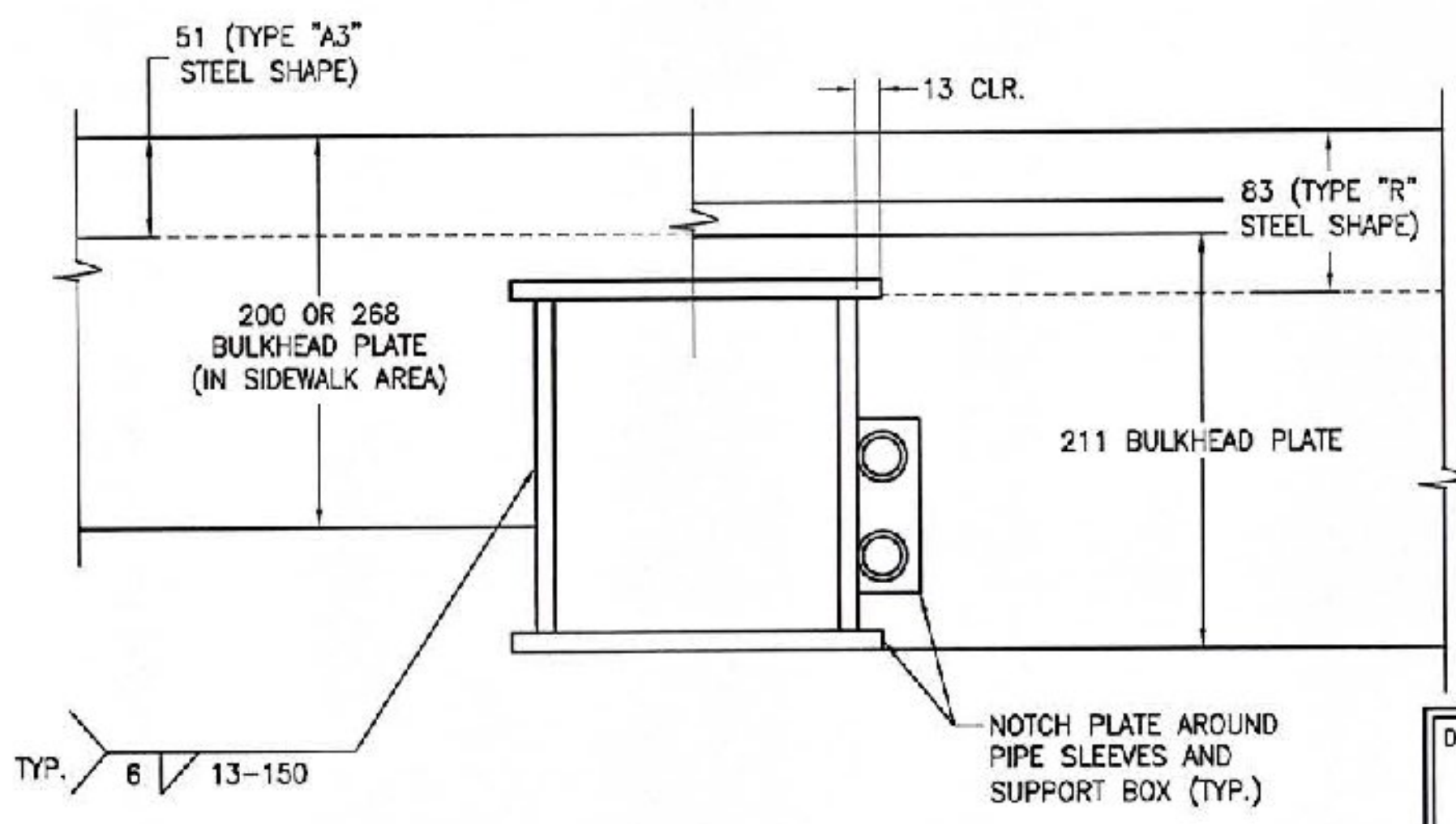
REVISE AND RESUBMIT

ENGINEER has reviewed Shop Drawings and Samples and other data which Contractor is required to submit, only for conformance with the information given in the Contract Documents and compatibility with the design concept of the completed Project as a functioning whole as indicated in the Contract Documents. Such reviews do not extend to means, methods, techniques, sequences or procedures of construction or to safety precautions and programs incident thereto. Such reviews do not extend to any LEED certification or accreditation. Contractor is responsible for dimensions to be confirmed and correlated at the job site; for information that pertains solely to the fabrication processes or to techniques of construction; and for coordination of the work of all trades.

BY: *[Signature]*
DATE: *[Signature]*

VERMONT AGENCY OF TRANSPORTATION

COUNTY: BENNINGTON
PROJECT NO.: AC NH D19-1(51)
CAPITAL PROJECT ID NO.:
BRIDGE NO.: B15, B15N, B15S
WBA PRODUCT DESCRIPTION: MODULAR
WBA PRODUCT NO.: STM126770AA



SECTION THRU SUPPORT BOX

PRESTRESS DEVICE ASSEMBLY

1. PRESTRESS DEVICES SHALL BE LOCATED AT EVERY SUPPORT BOX.
2. PRESTRESS DEVICES SHALL BE SHOP INSTALLED ON SUPPORT BOX ASSEMBLY. REMOVE PRESTRESS DEVICES (LAG STUD AND ANGLE) WHEN JOINT IS SET. CONTRACTOR SHALL REMOVE BY CUTTING LAG STUD OR ANGLES IN THE FIELD WITH A TORCH OR SAW. CONTRACTOR SHALL LEAVE APPROXIMATELY A 25mm "STUB" OF ANGLE ATTACHED TO THE SUPPORT BOX.
3. THIS IS A TEMPORARY DEVICE USED FOR ADJUSTMENT.

INSPECTION REQUIRED

DRAWING ACTION:
SUBMITTED FOR APPROVAL
1/20/10

NO.	DESCRIPTION	DATE

Watson Bowman Acme
16 Pineview Drive
Farmingdale, NY 11735
Phone: (716) 881-2500
Fax: (716) 881-8229
www.watsoncorp.com

BASF
The Chemical Company

PROJECT: WWII VETERAN'S MEMORIAL HIGHWAY
VT ROUTE 279, PRINCIPAL ARTERIAL
WBA MODULAR STM-600 EXPANSION JOINT DETAILS

DETAILED BY: TPL	DATE: 12/23/09
CHECKED BY: TEB	DATE: 1/7/10
SCALE: NTS	WBA JOB NO.: 126770
SHEET NO.: 6 of 14	DRAWING NO.: B-27574