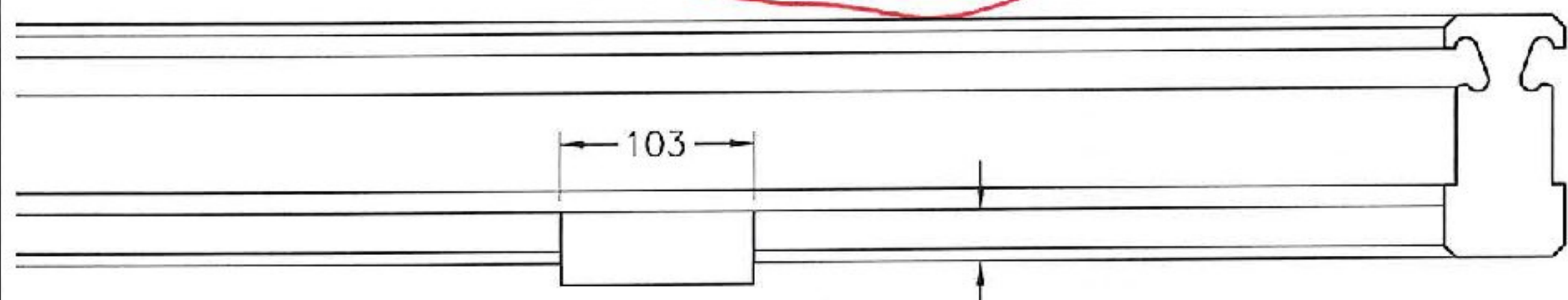


SECTION D-D THRU LOW HEIGHT BOX



SECTION X-X

TVGA CONSULTANTS

NO EXCEPTIONS TAKEN REJECTED
 FURNISH AS CORRECTED
 REVISE AND RESUBMIT

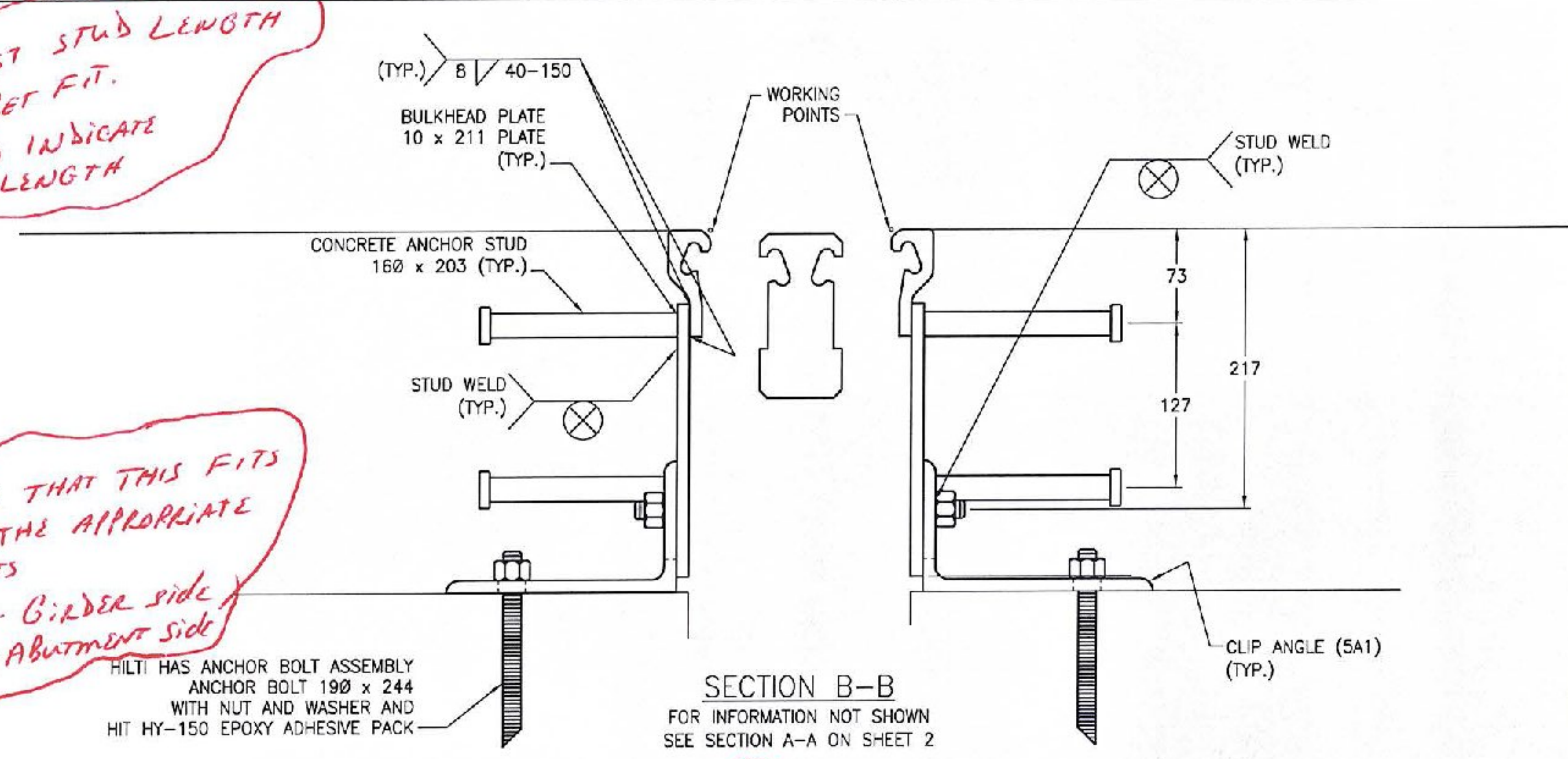
ENGINEER has reviewed Shop Drawings and Samples and other data which Contractor is required to submit, only for conformance with the information given in the Contract Documents and compatibility with the design concept of the completed Project as a functioning whole as indicated in the Contract Documents. Such reviews do not extend to means, methods, techniques, sequences or procedures of construction or to safety precautions and programs incident thereto. Such reviews do not extend to any LEED certification or accreditation. Contractor is responsible for dimensions to be confirmed and correlated at the job site; for information that pertains solely to the fabrication processes or to techniques of construction; and for coordination of the work of all trades.

BY: Antea
DATE: 6/1/2010

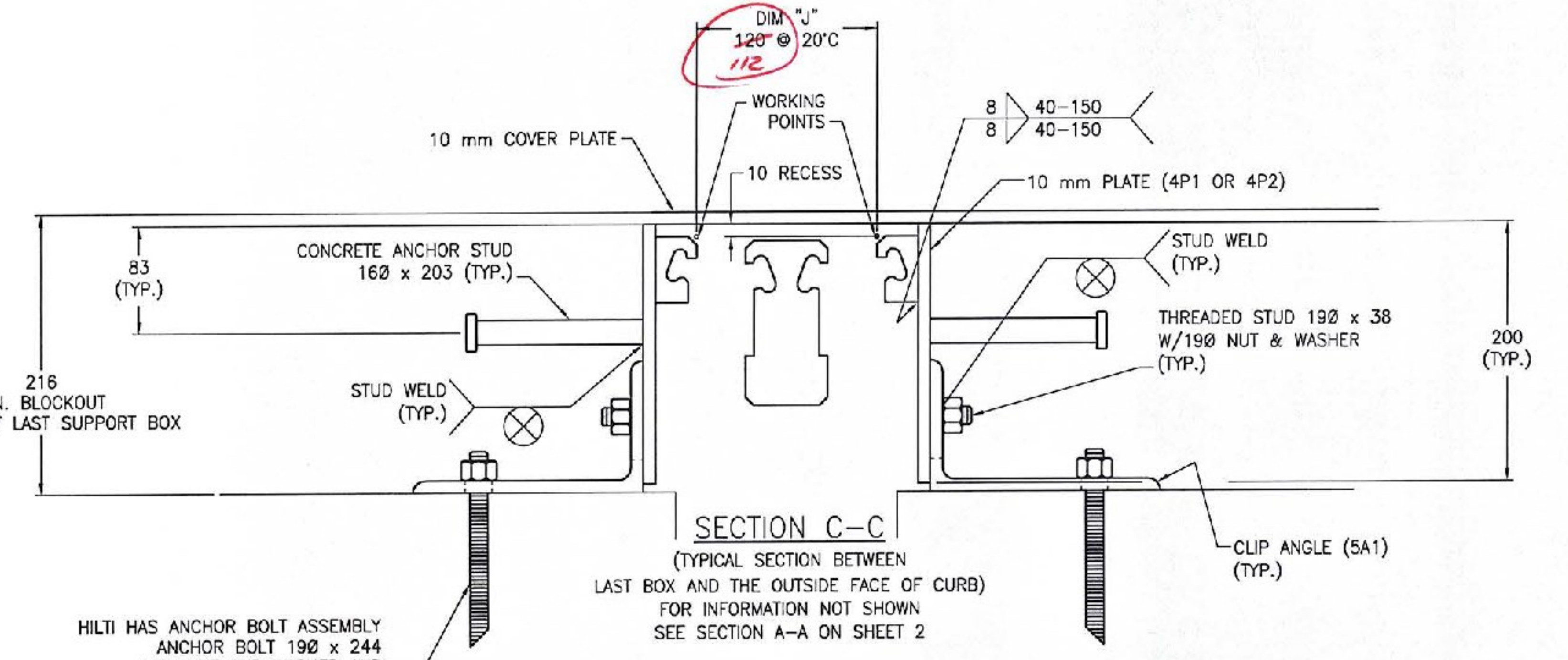
ADJUST STUD LENGTH TO GET FIT. ALSO INDICATE LENGTH

ENSURE THAT THIS FITS WITHIN THE APPROPRIATE BLOCKOUTS
600mm - GIRDER SIDE
400mm - ABUTMENT SIDE

INSPECTION REQUIRED



SECTION B-B
FOR INFORMATION NOT SHOWN
SEE SECTION A-A ON SHEET 2



SECTION C-C
(TYPICAL SECTION BETWEEN
LAST BOX AND THE OUTSIDE FACE OF CURB)
FOR INFORMATION NOT SHOWN
SEE SECTION A-A ON SHEET 2

VERMONT AGENCY OF TRANSPORTATION
COUNTY: BENNINGTON
PROJECT NO.: AC NH 019-1(51)
CAPITAL PROJECT ID NO.:
BRIDGE NO.: B15, B15N, B15S
WBA PRODUCT DESCRIPTION: MODULAR
WBA PRODUCT NO.: STM126770AA

DRAWING ACTION:	DATE
SUBMITTED FOR APPROVAL	1/20/10

 Watson Bowman Acme Corp. 85 Pineview Drive Arden, NY 14228 phone: (716) 991-7588 fax: (716) 991-8238 www.wbcorp.com	 The Chemical Company	DESIGNED BY: <u>TPL</u> DATE: <u>12/23/09</u> CHECKED BY: <u>TEB</u> DATE: <u>1/7/10</u> SCALE: <u>NTS</u> WBA JOB NO.: <u>126770</u> SHEET NO.: <u>5 of 14</u> DRAWING NO.: <u>B-27574</u>
--	--------------------------	--

