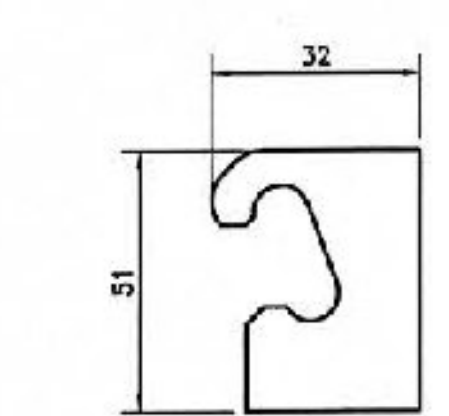


TVGA CONSULTANTS

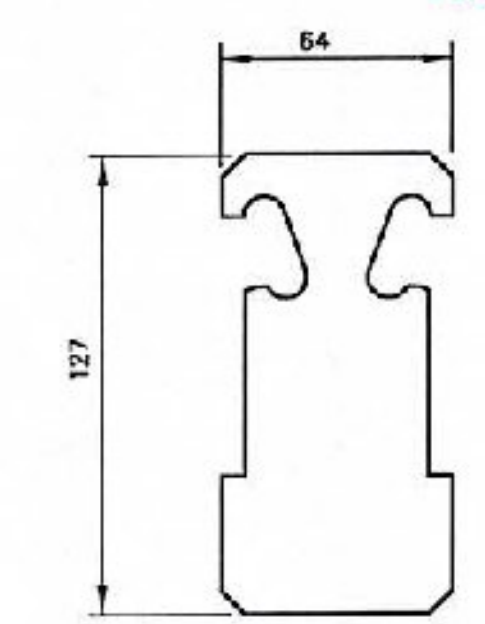
- NO EXCEPTIONS TAKEN REJECTED
- FURNISH AS CORRECTED
- REVISE AND RESUBMIT

ENGINEER has reviewed Shop Drawings and Samples and other data which Contractor is required to submit, only for conformance with the information given in the Contract Documents and compatibility with the design concept of the completed Project as a functioning whole as indicated in the Contract Documents. Such reviews do not extend to means, methods, techniques, sequences or procedures of construction or to safety precautions and programs incident thereto. Such reviews do not extend to any LEED certification or accreditation. Contractor is responsible for dimensions to be confirmed and correlated at the job site; for information that pertains solely to the fabrication processes or to techniques of construction; and for coordination of the work of all trades.

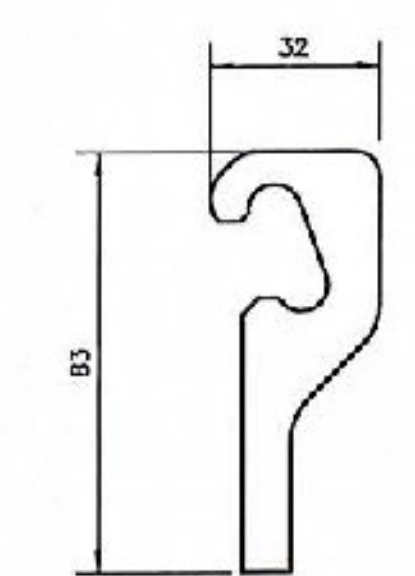
BY: *Am. Ltd.*
 DATE: 6/1/2010



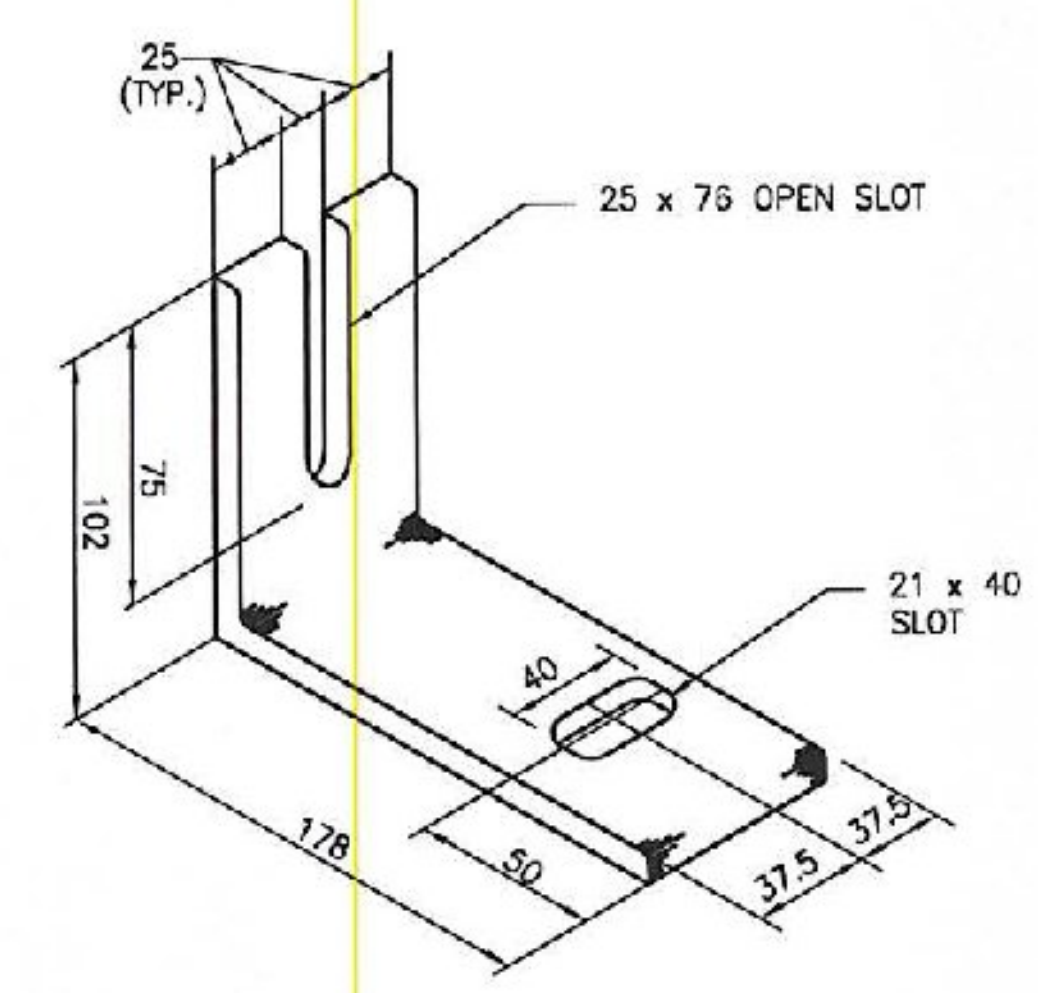
TYPE 'A3' STEEL SHAPE



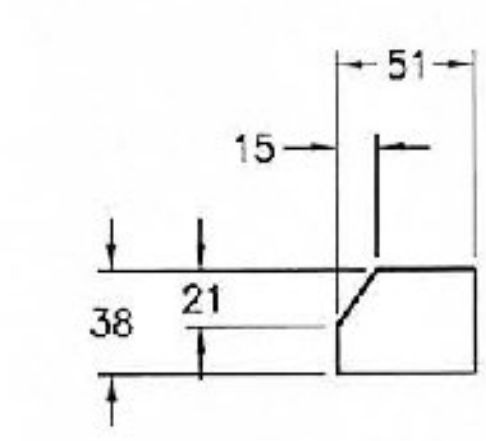
CENTER BEAM



TYPE 'R' STEEL SHAPE



CLIP ANGLE - 4A1
 ANGLE - 178 x 102 x 10 x 75 LONG



STIFFENER PLATE DETAIL (4P3)
 FLAT BAR 10 x 51
 (2 PER EACH SUPPORT BOX)

INSPECTION REQUIRED

VERMONT AGENCY OF TRANSPORTATION

COUNTY: BENNINGTON

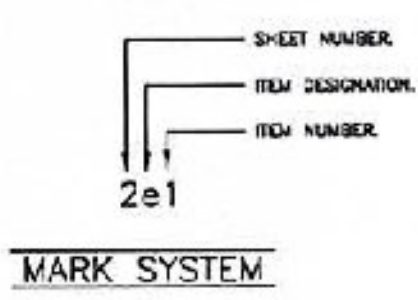
PROJECT NO.: AC NH 019-1(51)

CAPITAL PROJECT ID NO.: -

BRIDGE NO.: B15, B15N, B15S

WBA PRODUCT DESCRIPTION: MODULAR

WBA PRODUCT NO.: STM12677CAA



| | | | | | | | | | | | | | | | | | | | | | | | | | | | | | | | | | | | | | | | | | | | | | | | | | | | | |
|--|--|--|----------|------|------|------|------|------|------|---|---|----|----|----|----|----|----|----|----|----|----|------|------|------|------|------|------|------|------|------|------|--|-----------------------------------|--|-------------------------------------|---|--------------|-----|-------|----------|-------------|-----|-------|--------|--------|-----|--------------|--------|------------|---------|--------------|---------|
| DRAWING ACTION: <div style="border: 1px solid black; padding: 5px; text-align: center; width: fit-content; margin: 0 auto;"> SUBMITTED FOR APPROVAL </div> <p style="text-align: center;">1/20/10</p> | <table border="1" style="width: 100%; border-collapse: collapse;"> <tr> <td style="width: 10px; text-align: center;">⚠</td> <td style="width: 10px; text-align: center;">⚠</td> <td style="width: 10px; text-align: center;">⚠</td> <td style="width: 10px; text-align: center;">⚠</td> <td style="width: 10px; text-align: center;">⚠</td> <td style="width: 10px; text-align: center;">⚠</td> <td style="width: 10px; text-align: center;">⚠</td> <td style="width: 10px; text-align: center;">⚠</td> <td style="width: 10px; text-align: center;">⚠</td> <td style="width: 10px; text-align: center;">⚠</td> </tr> <tr> <td style="font-size: 8px;">NO</td> <td style="font-size: 8px;">NO</td> <td style="font-size: 8px;">NO</td> <td style="font-size: 8px;">NO</td> <td style="font-size: 8px;">NO</td> <td style="font-size: 8px;">NO</td> <td style="font-size: 8px;">NO</td> <td style="font-size: 8px;">NO</td> <td style="font-size: 8px;">NO</td> <td style="font-size: 8px;">NO</td> </tr> <tr> <td style="font-size: 8px;">DATE</td> <td style="font-size: 8px;">DATE</td> <td style="font-size: 8px;">DATE</td> <td style="font-size: 8px;">DATE</td> <td style="font-size: 8px;">DATE</td> <td style="font-size: 8px;">DATE</td> <td style="font-size: 8px;">DATE</td> <td style="font-size: 8px;">DATE</td> <td style="font-size: 8px;">DATE</td> <td style="font-size: 8px;">DATE</td> </tr> </table> | ⚠ | ⚠ | ⚠ | ⚠ | ⚠ | ⚠ | ⚠ | ⚠ | ⚠ | ⚠ | NO | NO | NO | NO | NO | NO | NO | NO | NO | NO | DATE | DATE | DATE | DATE | DATE | DATE | DATE | DATE | DATE | DATE | <table border="1" style="width: 100%; border-collapse: collapse;"> <tr> <td style="width: 100px; text-align: center;">Watson Bauman Acme</td> <td style="font-size: 8px;">Watson Bauman Acme Corp. 80 Pawtucket Circle Andover, NY 14203 Phone: (716) 511-7300 Fax: (716) 591-9251 www.wbcorp.com</td> <td style="width: 100px; text-align: center;">BASF The Chemical Company</td> </tr> </table> | Watson Bauman Acme | Watson Bauman Acme Corp. 80 Pawtucket Circle Andover, NY 14203 Phone: (716) 511-7300 Fax: (716) 591-9251 www.wbcorp.com | BASF The Chemical Company | <table border="1" style="width: 100%; border-collapse: collapse;"> <tr> <td style="width: 50px;">DETAILED BY:</td> <td>TPL</td> <td style="width: 50px;">DATE:</td> <td>12/23/09</td> </tr> <tr> <td>CHECKED BY:</td> <td>TEB</td> <td>DATE:</td> <td>1/7/10</td> </tr> <tr> <td>SCALE:</td> <td>NTS</td> <td>WBA JOB NO.:</td> <td>126770</td> </tr> <tr> <td>SHEET NO.:</td> <td>4 of 14</td> <td>DRAWING NO.:</td> <td>B-27574</td> </tr> </table> | DETAILED BY: | TPL | DATE: | 12/23/09 | CHECKED BY: | TEB | DATE: | 1/7/10 | SCALE: | NTS | WBA JOB NO.: | 126770 | SHEET NO.: | 4 of 14 | DRAWING NO.: | B-27574 |
| ⚠ | ⚠ | ⚠ | ⚠ | ⚠ | ⚠ | ⚠ | ⚠ | ⚠ | ⚠ | | | | | | | | | | | | | | | | | | | | | | | | | | | | | | | | | | | | | | | | | | | |
| NO | NO | NO | NO | NO | NO | NO | NO | NO | NO | | | | | | | | | | | | | | | | | | | | | | | | | | | | | | | | | | | | | | | | | | | |
| DATE | DATE | DATE | DATE | DATE | DATE | DATE | DATE | DATE | DATE | | | | | | | | | | | | | | | | | | | | | | | | | | | | | | | | | | | | | | | | | | | |
| Watson Bauman Acme | Watson Bauman Acme Corp. 80 Pawtucket Circle Andover, NY 14203 Phone: (716) 511-7300 Fax: (716) 591-9251 www.wbcorp.com | BASF The Chemical Company | | | | | | | | | | | | | | | | | | | | | | | | | | | | | | | | | | | | | | | | | | | | | | | | | | |
| DETAILED BY: | TPL | DATE: | 12/23/09 | | | | | | | | | | | | | | | | | | | | | | | | | | | | | | | | | | | | | | | | | | | | | | | | | |
| CHECKED BY: | TEB | DATE: | 1/7/10 | | | | | | | | | | | | | | | | | | | | | | | | | | | | | | | | | | | | | | | | | | | | | | | | | |
| SCALE: | NTS | WBA JOB NO.: | 126770 | | | | | | | | | | | | | | | | | | | | | | | | | | | | | | | | | | | | | | | | | | | | | | | | | |
| SHEET NO.: | 4 of 14 | DRAWING NO.: | B-27574 | | | | | | | | | | | | | | | | | | | | | | | | | | | | | | | | | | | | | | | | | | | | | | | | | |
| DRAWING ACTION: | | PROJECT: WWII VETERAN'S MEMORIAL HIGHWAY VT ROUTE 279, PRINCIPAL ARTERIAL WBA MODULAR STM-600 EXPANSION JOINT DETAILS | | | | | | | | | | | | | | | | | | | | | | | | | | | | | | | | | | | | | | | | | | | | | | | | | | |
| Information provided herein, including but not limited to, any drawing, design, photograph, graphic, or statement(s) ("Materials") are proprietary and the property of Watson Bauman Acme Corporation ("Company"). Reproduction, translation, or reduction to any electronic medium or machine readable form, in whole or part, is strictly prohibited, except for the express purpose for which it has been furnished without prior written consent of Company. All Materials contained herein are provided by Company for information purposes only. Company reserves the right to amend or withdraw any information contained in the Materials without notice. All technical or other advice by Company, whether verbal or written, concerning products or the use of products in specific situations ("Advice") is given by Company and is used at the Users own risk. | | | | | | | | | | | | | | | | | | | | | | | | | | | | | | | | | | | | | | | | | | | | | | | | | | | | |