

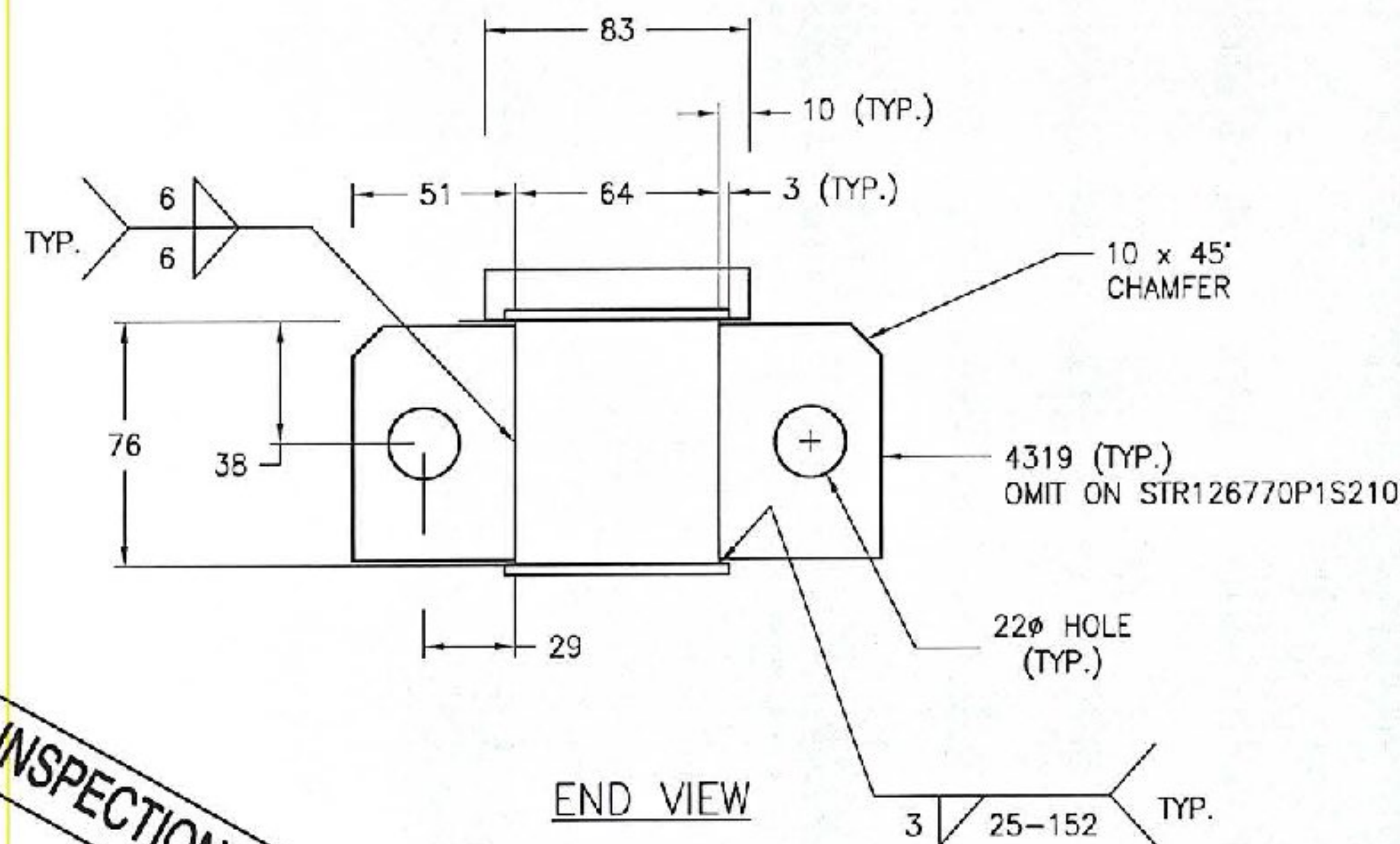
MARK SYSTEM
2e1

STR126770AA06 QTY: 1 REQD. **STRUCTURED BILL OF MATERIALS**

| LV | PART NO. | QTY | UM | DESCRIPTION | CLASS | MATERIAL | REVISION |
|----|----------------|-------|----|--------------------------------------------|-------|-----------|----------|
| 0 | STR126770AA06 | 1 | EA | STR-600 SUPPORT BAR (8P1) (X) | | UNCOATED | |
| 1 | 3733 | 17.10 | KG | PLATE 76 A 588 | B | ASTMA-588 | |
| 2 | 4319 | 2.00 | EA | MOD SUPSTP BAR A588 C13159-(W) | A | ASTMA-36 | |
| 2 | STR126770AA06A | 4.00 | EA | STAINLESS STEEL 12 GAGE 70 x 154 (8M1) (X) | | | |
| 2 | 8570 | 0.30 | KG | STNLS STL 12GA TYP304 2BFIN(A) | A | | |

STR126770AA07 QTY: 1 REQD. **STRUCTURED BILL OF MATERIALS**

| LV | PART NO. | QTY | UM | DESCRIPTION | CLASS | MATERIAL | REVISION |
|----|----------------|-------|----|--------------------------------------------|-------|-----------|----------|
| 0 | STR126770AA07 | 1 | EA | STR-600 SUPPORT BAR (8P1) (X) | | UNCOATED | |
| 1 | 3733 | 17.10 | KG | PLATE 76 A 588 | B | ASTMA-588 | |
| 2 | STR126770AA07A | 4.00 | EA | STAINLESS STEEL 12 GAGE 70 x 154 (8M1) (X) | | | |
| 2 | 8570 | 0.30 | KG | STNLS STL 12GA TYP304 2BFIN(A) | A | | |



INSPECTION REQUIRED

TVGA CONSULTANTS

NO EXCEPTIONS TAKEN REJECTED
 FURNISH AS CORRECTED
 REVISE AND RESUBMIT
 ENGINEER has reviewed Shop Drawings and Samples and other data which Contractor is required to submit, only for conformance with the information given in the Contract Documents and compatibility with the design concept of the completed Project as a functioning whole as indicated in the Contract Documents. Such reviews do not extend to means, methods, techniques, sequences or procedures of construction or to safety precautions and programs incident thereto. Such reviews do not extend to any LEED certification or accreditation. Contractor is responsible for dimensions to be confirmed and correlated at the job site; for information that pertains solely to the fabrication processes or to techniques of construction; and for coordination of the work of all trades.

BY: *Judith*
 DATE: *6/1/2010*

VERMONT AGENCY OF TRANSPORTATION
 COUNTY: BENNINGTON
 PROJECT NO.: AC NH 019-1(51)
 CAPITAL PROJECT ID NO.:
 BRIDGE NO.: B15, B15N, B15S
 WBA PRODUCT DESCRIPTION: MODULAR
 WBA PRODUCT NO.: STM126770AA

DRAWING ACTION:
 SUBMITTED FOR APPROVAL
 1/20/10

| NO. | DESCRIPTION | DATE |
|-----|-------------|------|
| | | |
| | | |
| | | |

Information provided herein, including but not limited to, any drawing, design, photograph, graph or statement(s) ("Materials") are proprietary and the property of Watson Bowman Acme Corporation ("Company"). Reproduction, transmission, or reduction to any electronic medium or machine readable form, in whole or part, is strictly prohibited, except for the express purpose for which it has been furnished, without prior written consent of Company. All Materials contained herein are provided by Company for information purposes only. Company reserves the right to amend or withdraw any information contained in the Materials without notice. All technical or other advice by Company, whether verbal or written, concerning products, or the use of products in specific situations ("Advice") is given by Company and is used at the User's own risk.

Watson Bowman Acme
 55 Pleasant Drive
 Arden, NY 14208
 Phone: (716) 991-4900
 Fax: (716) 991-9229
 www.wbacorp.com

BASF
 The Chemical Company

| | |
|-----------------------|-------------------------|
| DESIGNED BY: TPL | DATE: 12/23/09 |
| CHECKED BY: TEB | DATE: 1/7/10 |
| SCALE: NTS | WBA JOB NO.: 125770 |
| SHEET NO.: 9 of 14 | DRAWING NO.: B-27569 |

PROJECT:
 WWII VETERAN'S MEMORIAL HIGHWAY
 VT ROUTE 279, PRINCIPAL ARTERIAL
 WBA MODULAR STM-600 EXPANSION JOINT DETAILS